

# Agilent 81250

## Flat Panel Display Link Test

Product Note

### The Device

With every technology cycle, the data rate between graphics controller and LCD driver increases, to accommodate the increasing number of pixels (VGA->XGA->SVGA). This implementation of TX and RX chip-set has to handle a data transmission of 1.8 Gbps.

EMI, layout, and power problems caused by a fast parallel architecture, have been overcome by faster serial interconnection between TX and RX chip.

Four serial links, working at 450 MBit, transfer color and luminescence information between Host Graphics Controller and LCD Panel Driver.

TX and RX chip functionality is mainly to multiplex /de-multiplex parallel to serial and vice versa. A specialty of this device type is:

- the 1 to 7 parallel to serial relation,
- the serial interface uses LVDS technology, (LVDS =low voltage differential signal), typ 250mV amplitude.

### The Test

Verify the Bit Error Rate (BER) of 1-serial to 7-parallel Rx chip. In order to make the Bit Error Rate measurement on the RX chip, the device needs to be stimulated with PRBS (Pseudo Random Binary Sequence) at 450 MHz. The PRBS meets standards set by the IEEE and ITU. PRWS (Pseudo Random Word Sequence) has to be used on the analyzer side. This is a demultiplexed PRBS into 7 channels. The PRBS bits are assigned bit by bit (1 to 7) to the parallel lines, while bit 1, 8, 15, ... go to channel 1 and so on. The compare on the analyzer runs 7 times slower on the parallel lines.

The device needs a 65 MHz clock, which represents the device frequency on the parallel side. As the stimulus signals run at 450 MHz, this clock is generated from NRZ data.

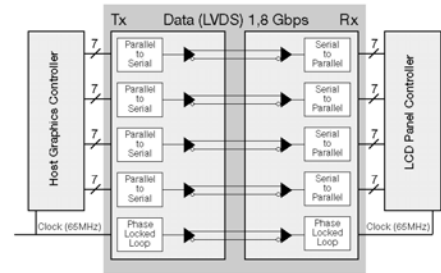


Figure 1: LCD Display Driver (LVDS) Chip Set

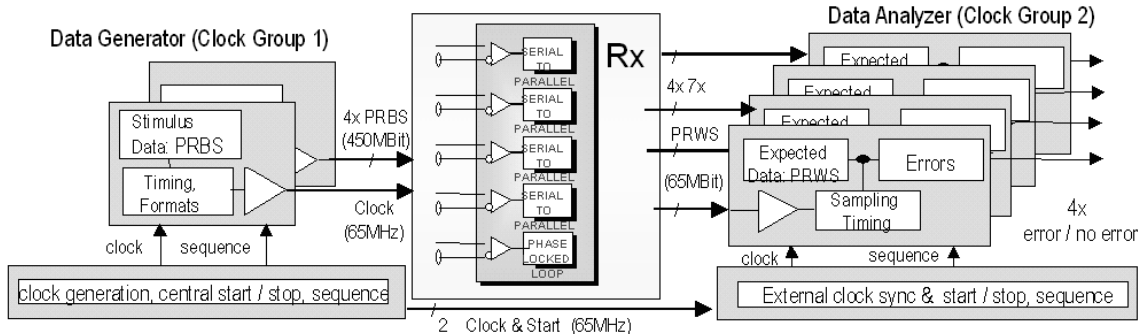


Figure 2: Data Generator and Analyzer Setup

There are two ways to do that:

- constant average ac level: 4x '1' and 3x '0' is followed by 3x '1' and 4x '0' (-> better for ac coupled input)
- constant duty cycle: repetition of either 1110000 or 1111000 (-> better for a dc coupled input).

Data Generator & Analyzer Setup, according to Figure 2:

- Vector data: generator uses PRBS, analyzer uses PRWS
- Timing and level: LVDS, which requires quite small amplitudes on the generator channels as well as high sensitivity for the small signals applied to the test system receivers
- Sequencing: PRBS and PRWS will run infinitely or at least for quite a while to ensure that sufficient bits have been transferred for verification of a BER to be less than  $10^{-10}$  or better

The different frequencies used for stimulation and analysis need two clock groups on the test system: the generator will run at 450 MBit, while the analyzer compares at 65 MBit.

For synchronization of the analyzer, the generator feeds two signals to the analyzer part: Clock and Start. These are in addition to the stimulus signals running to the DUT.

To obtain synchronous data analysis, the generator sequencing must provide a test start according to the 'TEST Flow' diagram, shown in Figure 3. Once the clocks start, the device's PLL and the analyzer clock group begin to work. When they are settled, the 'Start' signal initializes the generation of expected data. This has to be done in advance of stimulus data to compensate analyzer latency. When that's completed, the stimulus PRBS data is applied and the compare against PRWS in the analyzer can take place. The latency through the DUT is compensated by programming the sampling point delay.

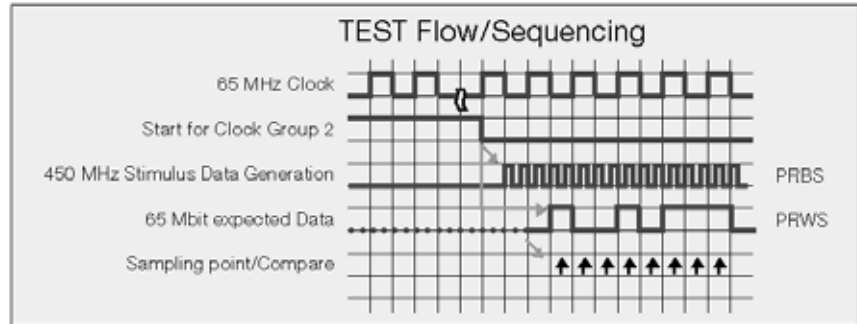


Figure 3: Data Sequencing

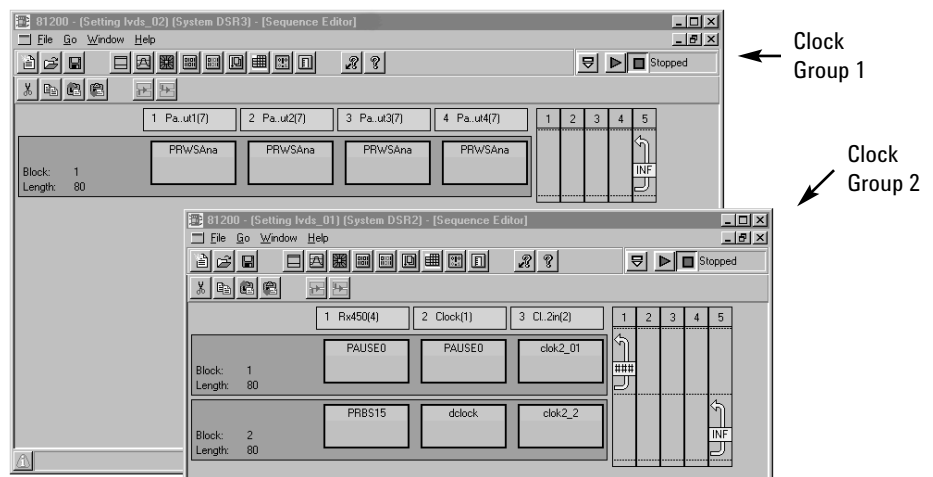


Figure 4: Sequencing Program for Clock Group 1 & 2

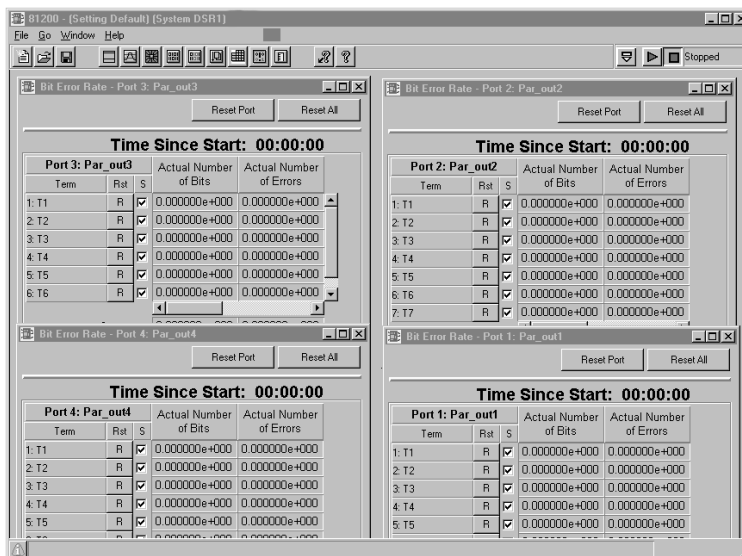


Figure 5: Error Rate Display

## Tester Setup Overview

Clock Group 1 provides 7 stimulus channels, 5 for driving the DUT and 2 for synchronization of the analyzer.

Clock Group 2 provides 28 analyzer channels for the 4 times 7 parallel lines.

Figure 4 shows the sequencer programming for the two clock groups. System 2: waits for start signal from system 1.

Analyzers are set to do BER in PRWS mode for the 4 parallel ports.

System 1: Block 1 generates clocks to get the DUT & System 2 working.

The 2nd block sends the “Start” signal block sends the “Start” signal to system 2 and generates the PRBS data stream.

Block Length: this specifies the number of bits processed. On system 1 the block length has to be 7 times larger as on system 2 as it works 7 times faster.

The result is given as Bit Error Rate (BER) display, which is measured and displayed per port. Each port is represented in a separate window.

All 4 ports are shown in Figure 5.

## Summary

The description focuses on a solution using 2 clock groups, which makes efficient use of the PRWS feature on the parallel side of the DUT. It should be added, that a test is possible also just with one clock group. In this case the DUT outputs will be sampled 7 times faster as they change the data. Expected data cannot be obtained from the built in PRWS feature. But with help of acquisition from a golden device or by use of ‘BestLink 81200’ the expected data may be obtained from simulation. This product note focuses on LVDS devices with LVDS inputs and outputs down to amplitudes of 250mV. Should smaller amplitudes be required, consult your local sales representative.

### Related literature

- Need to Test BER? Brochure
- Agilent ParBERT 81250, Mux/Demux Application, Application Note
- Agilent ParBERT 81250, Parallel Bit-Error-Rate Tester, Product Overview
- Agilent ParBERT 81250, Parallel Bit-Error-Rate Tester, Configuration Guide

### Publication number

5968-9250E  
5968-9695E  
5968-9188E  
5968-9189E

### Agilent Technologies' Test and Measurement Support, Services, and Assistance

Agilent Technologies aims to maximize the value you receive, while minimizing your risk and problems. We strive to ensure that you get the test and measurement capabilities you paid for and obtain the support you need. Our extensive support resources and services can help you choose the right Agilent products for your applications and apply them successfully. Every instrument and system we sell has a global warranty. Support is available for at least five years beyond the production life of the product. Two concepts underlie Agilent's overall support policy: "Our Promise" and "Your Advantage."

#### Our Promise

Our Promise means your Agilent test and measurement equipment will meet its advertised performance and functionality. When you are choosing new equipment, we will help you with product information, including realistic performance specifications and practical recommendations from experienced test engineers. When you use Agilent equipment, we can verify that it works properly, help with product operation, and provide basic measurement assistance for the use of specified capabilities, at no extra cost upon request. Many self-help tools are available.

#### Your Advantage

Your Advantage means that Agilent offers a wide range of additional expert test and measurement services, which you can purchase according to your unique technical and business needs. Solve problems efficiently and gain a competitive edge by contracting with us for calibration, extra-cost upgrades, out-of-warranty repairs, and onsite education and training, as well as design, system integration, project management, and other professional engineering services. Experienced Agilent engineers and technicians worldwide can help you maximize your productivity, optimize the return on investment of your Agilent instruments and systems, and obtain dependable measurement accuracy for the life of those products.

#### Agilent T&M Software and Connectivity

Agilent's Test and Measurement software and connectivity products, solutions and developer network allows you to take time out of connecting your instruments to your computer with tools based on PC standards, so you can focus on your tasks, not on your connections. Visit [www.agilent.com/find/connectivity](http://www.agilent.com/find/connectivity) for more information.

**For more information on Agilent Technologies' products, applications or services, please contact your local Agilent office. The complete list is available at:**

#### [www.agilent.com/find/contactus](http://www.agilent.com/find/contactus)

Product specifications and descriptions in this document subject to change without notice.

#### Phone or Fax

##### United States:

(tel) 800 829 4444  
(fax) 800 829 4433

##### Canada:

(tel) 877 894 4414  
(fax) 905 282 6495

##### China:

(tel) 800 810 0189  
(fax) 800 820 2816

##### Japan:

(tel) (81) 426 56 7832  
(fax) (81) 426 56 7840

##### Korea:

(tel) (080) 769 0800  
(fax) (080)769 0900

##### Latin America:

(tel) (305) 269 7500

##### Taiwan:

(tel) 0800 047 866  
(fax) 0800 286 331

##### Other Asia Pacific

##### Countries:

(tel) (65) 6375 8100  
(fax) (65) 6755 0042

Email: [tm\\_ap@agilent.com](mailto:tm_ap@agilent.com)

**For more information, please visit us [www.agilent.com/find/parbert](http://www.agilent.com/find/parbert)**

Product specifications and descriptions in this document subject to change without notice.

For the latest version of this document, please visit our website at [www.agilent.com/find/parbert](http://www.agilent.com/find/parbert) and go to the **Key Library Information** area or insert the publication number (5968-8028E) into the search engine.



### Agilent Email Updates

[www.agilent.com/find/emailupdates](http://www.agilent.com/find/emailupdates)

Get the latest information on the products and applications you select.

© Agilent Technologies, Inc. 2003, 2004  
Printed in The Netherlands , July 28th, 2004

**5968-8028E**



**Agilent Technologies**