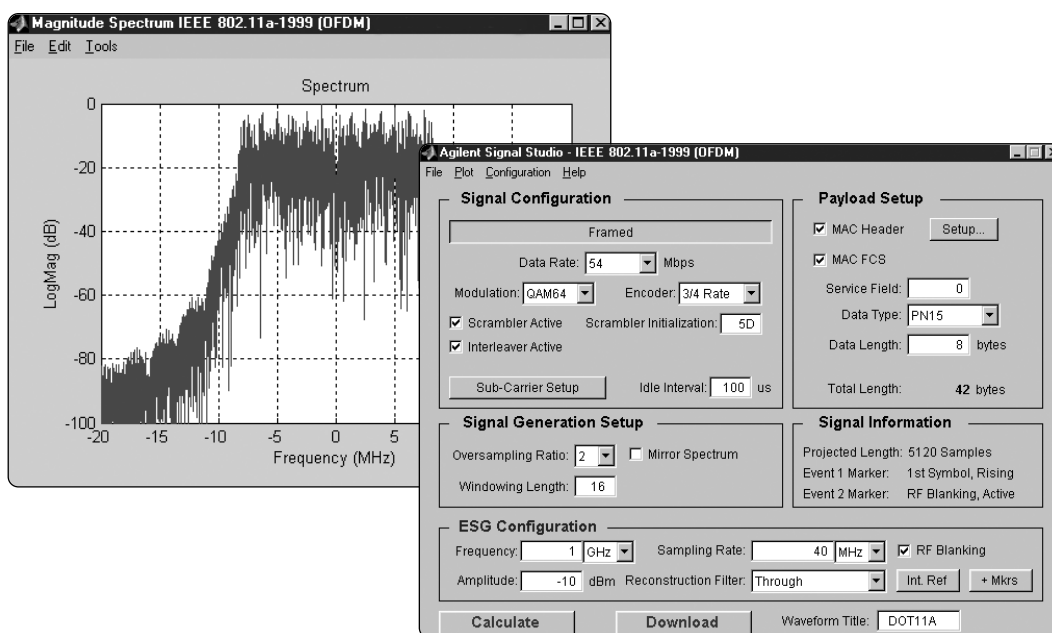


Agilent 802.11a WLAN Signal Studio Software for the ESG-D/DP Series Signal Generators Option 410

Application Note 1430



Use Signal Studio to create IEEE 802.11a test signals

802.11a WLAN Signal Studio software is a powerful tool for creating IEEE 802.11a baseband I/Q waveforms for use with the Agilent ESG-D/DP series signal generator's dual arbitrary waveform generator.

Main features

- Intuitive user interface makes waveform creation fast and easy
- Plot spectrum and I/Q components
- Selectable framing includes preamble and header
- Raised cosine windowing
- Customize modulation and encoder settings including data rate, scrambling, interleaving, convolutional encoding, and MAC header
- Enable/disable FCS
- Remote control of basic ESG-D/DP series RF signal generator functions from software



Agilent Technologies

This application note is a self-guided tutorial that describes the test signals that can be created with the 802.11a WLAN Signal Studio software. This document is not meant to be an IEEE 802.11a technology tutorial. For additional information on 802.11a technology, refer to the “References” section at the end of this document.

Table of contents

Software overview	3
Benefits	4
IEEE 802.11a OFDM overview	5
802.11a Occupied bandwidth	5
Signal structure	5
PMD layer	5
Frame structure	6
Payload structure	7
802.11a WLAN Signal Studio baseband data OFDM symbol creation	9
Raised cosine windowing	10
Creating signals	12
Step 1 – Configure 802.11a signal, including the MAC header and subcarrier setup	12
<i>Signal configuration</i>	13
Sub-carrier setup	13
Payload setup	13
Step 2 - Setup the signal generation options	14
<i>Signal generation setup</i>	14
Oversample ratio	14
Windowing length	15
Mirror spectrum	15
Step 3 – Configure the ESG	16
Step 4a - Calculate	17
Signal Studio configuration and setup	19
Step 4b - Download	19
Basic measurements	20
Data sheet for 802.11a WLAN Signal Studio	25
Acronyms and abbreviations	26
References	26
Additional literature	26
Ordering information	27
Upgrade kits	27

Software overview

802.11a WLAN Signal Studio software is a tool for creating an IEEE 802.11a waveform in an intuitive Windows®-based environment. The software calculates a baseband I/Q waveform file based on the user-defined 802.11a frame. The waveform file can then be downloaded to the ESG dual arbitrary waveform generator for playback.

Try before you buy! Download Signal Studio to a PC to evaluate the signal configuration and plotting capabilities of the software. A license key is required to load the signals created by the software into the ESG-D/DP series RF signal generator. The license key can be ordered through your sales engineer or your local sales office, which can be found at www.agilent.com/find/assist.

In addition to creating waveform files, the software provides basic configuration menus for signal generator settings, including frequency, amplitude, and marker polarity. The instrument settings, along with the waveform files, are passed to the ESG signal generator over the GPIB or RS-232 interface.

After downloading the waveform file and instrument settings, the ESG automatically begins generating the 802.11a RF signal. Local control of the instrument is then re-enabled and signal generator settings, like frequency and amplitude, can be modified from the instrument's front panel. The waveform files themselves cannot be modified once they have been downloaded to the instrument.

The waveform files can be saved in the ESG-D/DP dual arbitrary waveform generator's non-volatile memory for later recall. If multi-

ple waveforms are being created and ESG-D/DP non-volatile memory capacity becomes an issue, the 802.11a WLAN Signal Studio configuration can be saved to the host computer's local hard drive. The Signal Studio software configuration can then be recalled at any time to re-calculate and download the waveform to the signal generator. The waveform itself cannot be saved on the PC, but waveforms can be re-calculated quickly from stored settings.

The 802.11a WLAN Signal Studio signal can be used to test baseband components of the receiver chain during the design process. Some software engineers may require a baseband signal to perform demodulation and decoding verification on ASIC and DSP chips, see Figure 1.

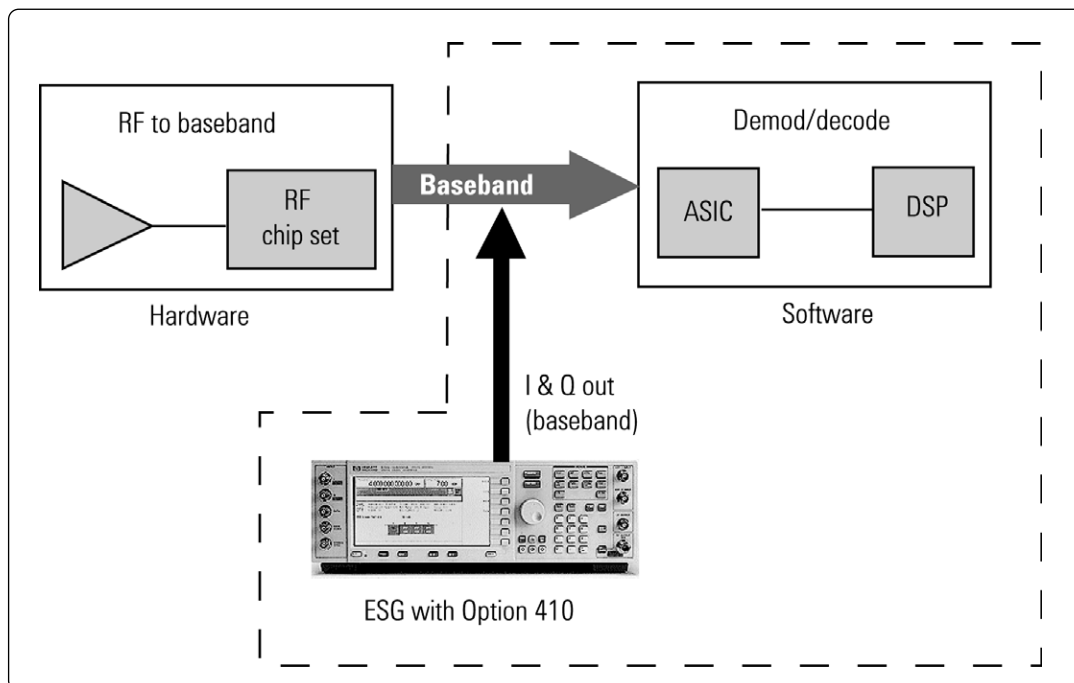


Figure 1. Generating a baseband test signal

IEEE 802.11a operates in the 5.150 to 5.350 GHz, and 5.725 to 5.825 GHz frequency bands. The maximum frequency range of the ESG-D/DP series is 4 GHz. The E4438C ESG vector signal generator has a maximum frequency range of 6 GHz, and is recommended for WLAN applications. The ESG-D/DP Series can only be used to test 802.11a components at baseband or IF frequencies, not in the 5 GHz band. If you want to transmit the signal in the 5 GHz frequency range with a ESG-D/DP series signal generator, a mixer can be used to convert the 802.11a signal to the desired frequency range, see Figure 2 below. The actual frequency parameters that would be used for each source, bandpass filter, and amplifier vary according to the specific mixer that is chosen.

Benefits

802.11a WLAN Signal Studio simplifies the user's role in creating 802.11a test signals for the ESG-D/DP series RF signal generator. Instead of wasting valuable time writing code to create a proprietary test signal, 802.11a WLAN Signal Studio enables you to quickly configure a standard-based test signal via an intuitive graphical user interface. Furthermore, the 802.11a WLAN Signal Studio frame configuration can easily be modified to create the desired test signal, without re-writing code.

Component test

The performance characteristics of 802.11a components - including preamplifiers, combiners, filters, and amplifiers - is determined using a stimulus that provides statistically correct signals. The 802.11a WLAN Signal Studio software meets this need by providing statistically correct signals. Signal parameters, including the number of active subcarriers and modulation type, can be modified to provide adequate stress on the components being tested.

Receiver test

In order to thoroughly test a receiver's demodulation capabilities, a test signal with full channel coding is necessary. Full channel coding allows test engineers to determine if each functional stage of a receiver is operating correctly. This level of channel coding enables PER and BER testing on the signal received by the access point to verify performance. The designer will be able to use this as a test signal to perform standards-based tests such as receiver minimum input level sensitivity, receiver maximum input level, and receiver adjacent and non-adjacent channel rejection measurements.

Another benefit of using the 802.11a WLAN Signal Studio as a test signal is that it allows the designer to verify that the receiver decodes an independently generated 802.11a test signal correctly.

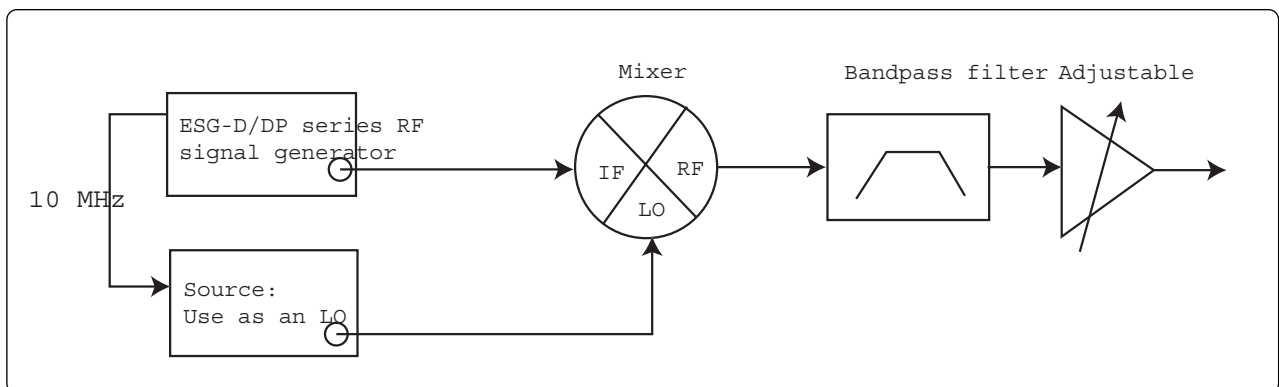


Figure 2. Converting a test signal to the 5 GHz frequency band

IEEE 802.11a OFDM overview

802.11a is an orthogonal frequency division multiplexed (OFDM) multicarrier signal. In traditional FDM systems, the spacing between channels is greater than the symbol rate to avoid overlapping the spectrums. However, in OFDM systems, the carriers overlap, which conserves bandwidth, but subcarriers don't interfere with one another because they are orthogonal to one another. Orthogonality implies that there is a mathematical relationship between the subcarriers, and there is. Each subcarrier has an integer number of cycles in the FFT interval, and there is a difference of one cycle between adjacent subcarriers, and this is the reason orthogonality exists between the subcarriers. Each subcarrier has a spectral null at all the other subcarrier frequencies.

The high rate data OFDM signal is divided into 52 slower parallel signals (subcarriers), and then an IFFT is applied to the signal, and these subcarriers are transmitted simultaneously. The symbol duration increases for the lower rate parallel subcarriers, thus the relative amount of dispersion in time caused by multipath delay spread is reduced. Phase noise and non-linear distortion contribute the most to loss of orthogonality, which results in intercarrier interference (ICI). A guard interval is added to help prevent ICI, as well as intersymbol interference (ISI). A signal with a slower data rate is more resistant to multipath fading and interference.

802.11a occupied bandwidth

All the subcarriers are spaced equidistant to one another. For 802.11a, the subcarriers are 312.5 kHz apart. This spacing is determined by dividing the FFT sampling rate, 20 MHz, by the total number of samples in the FFT, which is 64 points in 802.11a. One 802.11a symbol is comprised of 48 data subcarriers, and 4 pilot subcarriers, and one nulled subcarrier (zero subcarrier). Thus the occupied bandwidth is 53 subcarriers multiplied by the spacing of 312.5 kHz, which is 16.56 MHz. The 802.11a standard specifies that the occupied bandwidth is 16.6 MHz.

Signal structure

PMD layer

The 802.11a WLAN Signal Studio creates the physical layer PMD (physical medium dependent) test signals, which contain PLCP (physical layer convergence procedure) preamble, PLCP header, and payload data, see Figure 3.

Although the signal does not provide MAC or PLCP protocol handling, it does enable testing of the PMD for receiver and component tests.

The PMD sublayer is the physical layer, which provides the transmission of the signal over the air interface. The PMD layer provides the framing, scrambling, modulation, and channel coding of the signal. Measurements can be made on the physical layer signal, such as spectral measurements, which can be used as trouble shooting tools in design and development. Also, this test signal may be used to make standards based measurements. To make these measurements, the MAC and PLCP layers are not needed.

The user does have the capability to add a MAC header and FCS to the data payload. This is useful if the user needs to add addresses or other MAC fields in the MAC header to append to the payload data.

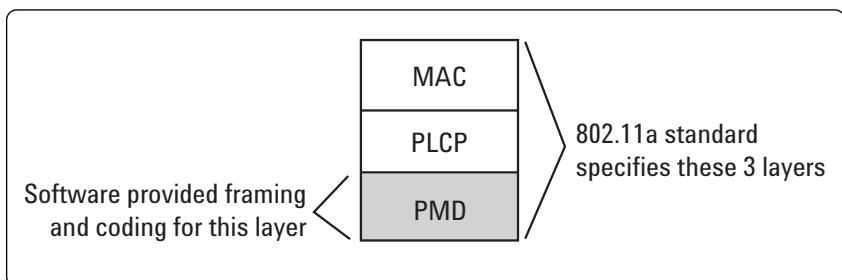


Figure 3. 802.11a standard protocol stack

Frame structure

In 802.11a systems information is transmitted in frames. This framed information makes up a packet, which is burst. During the burst the entire packet is transmitted, then the carrier is blanked or idle for a certain interval. This interval can be set in the software. All data in the frame is OFDM encoded. The total frame length is variable. Figure 4 illustrates the frame structure of the signal created by 802.11a WLAN Signal Studio software. The signal is created according to IEEE-802.11a specifications.

The 802.11a burst has four distinct regions. The preamble contains two of those regions. The preamble is BPSK modulated at 6 Mbps. The preamble contains no channel coding, and is not scrambled. The first region of the preamble consists of a short preamble. The short preamble contains 10 short symbols assigned to subcarriers -24, -20, -16, -12, -8, -4, 4, 8, 12, 16, 20, 24. The second part of the preamble contains 2 long symbols that are assigned to all 52 subcarriers.

The third region of the packet is the signal (field), which consists of one symbol assigned to all 52 subcarriers. This symbol is BPSK modulated at 6 Mbps and is encoded at a 1/2 rate. The Signal field is not scrambled. The last region of the packet consists of the service field and the data payload. This region is scrambled. The data rate, encoding rate, and modulation varies, see Table 1. Notice that guard intervals (GI) are added to the long preamble, signal field, and the service and payload data.

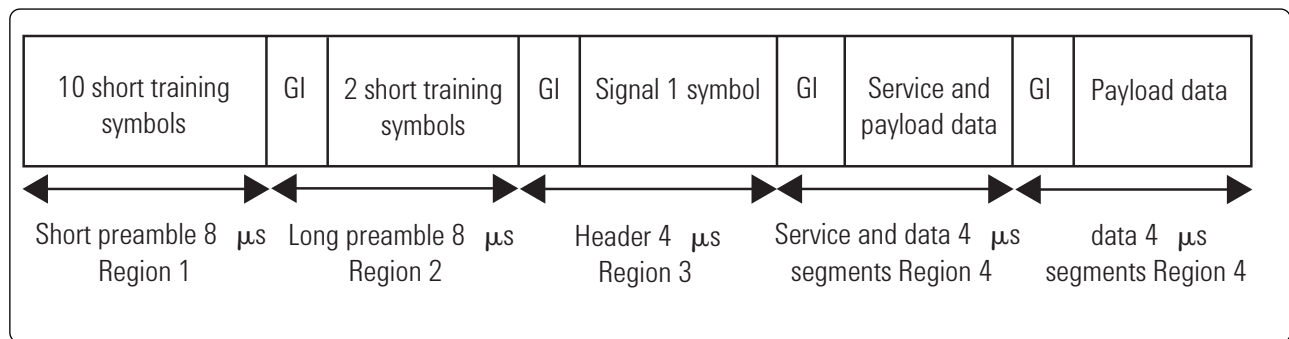


Figure 4. 802.11a frame

Payload structure

The payload field is within the PPDU frame. A MAC header and FCS can be added to the user's data. Table 1 provides a summary of the payload characteristics in 802.11a.

Data rate Mbps	Modulation	Encoding rate	Coded bits per subcarrier	Coded bits per symbol
6	BPSK	1/2	1	48
9	BPSK	3/4	1	48
12	QPSK	1/2	2	96
18	QPSK	3/4	2	96
24	QAM-16	1/2	4	192
36	QAM-16	3/4	4	192
48	QAM-64	2/3	6	288
54	QAM-64	3/4	6	288
Custom	Variable	Variable	Variable	Variable

Table 1. Key 802.11a payload characteristics supported with the 802.11a WLAN Signal Studio software

Figure 5 is an illustration of the MAC header structure. The Mac header is prepended to the payload. The payload data (user's data) is called PLCP service data unit (PSDU) in the standard. The description and details of the medium access control (MAC) header and frame check sequence (FCS) can be found in the IEEE 802.11 standard. The MAC header and FCS state can be toggled on/off. All the fields in the MAC header can be modified.

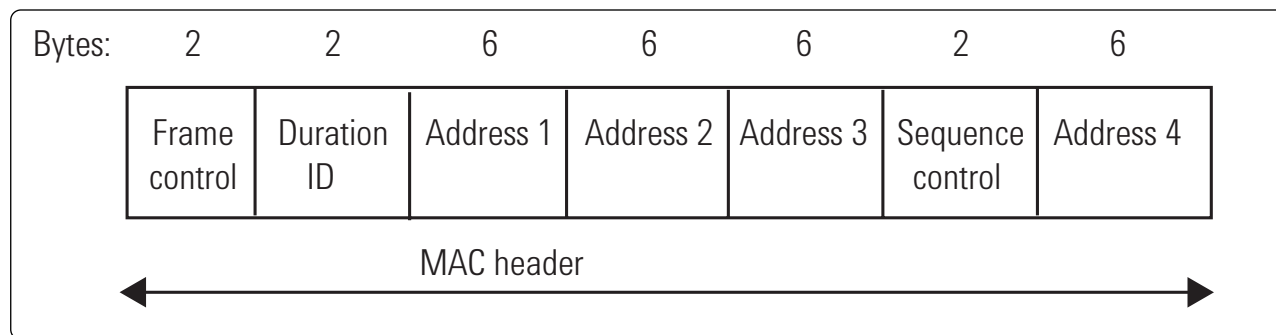


Figure 5. MAC header structure

Figure 6 shows the detailed diagram of the 802.11a WLAN Signal Studio framing.

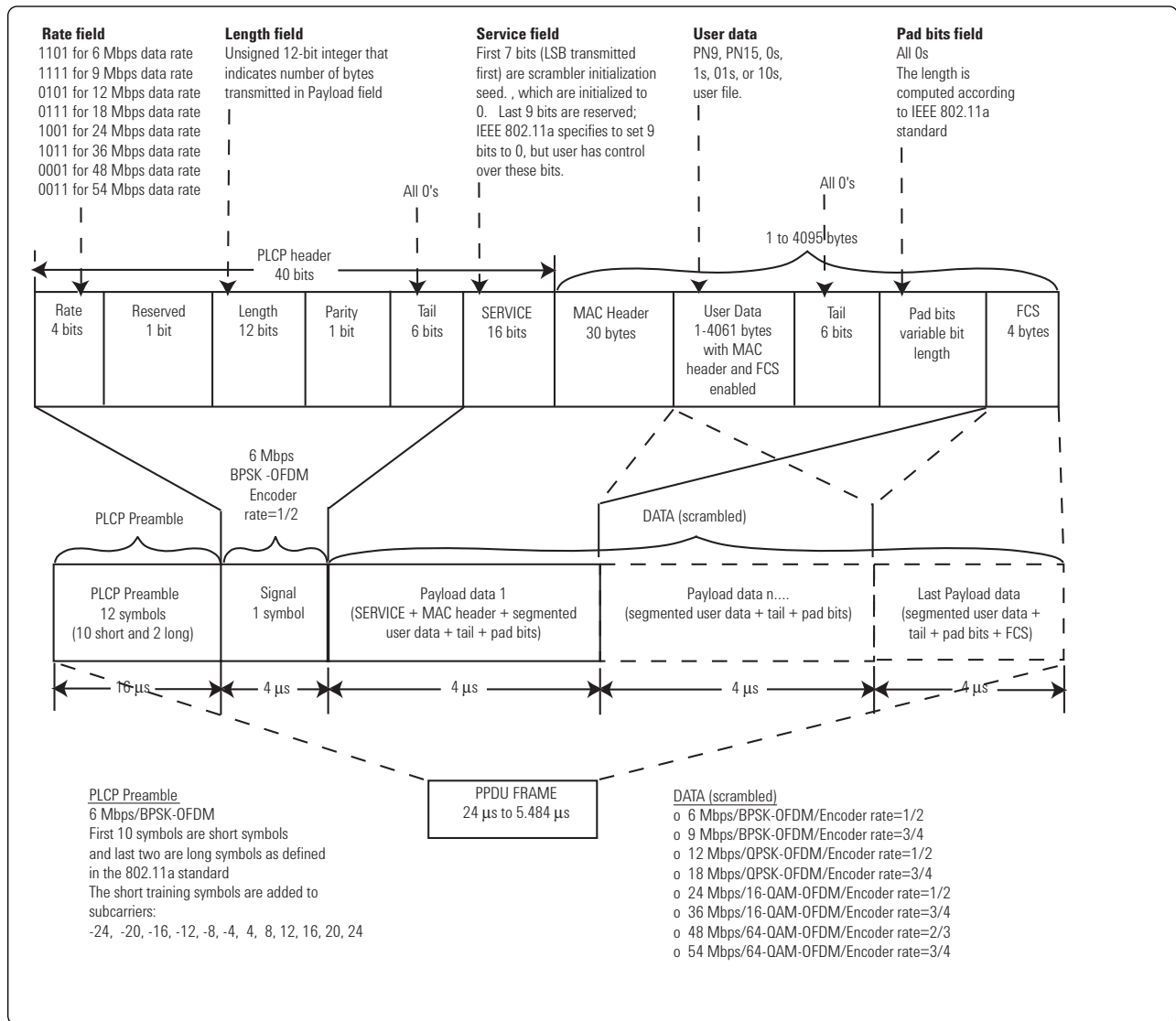


Figure 6. 802.11a WLAN Signal Studio framed signal

802.11a WLAN Signal Studio baseband data OFDM symbol creation

802.11a WLAN Signal Studio encodes the data according to the standard, which is shown in Table 1 on page 7. The user's data is scrambled, encoded, and interleaved. Interleaving and scrambling can be toggled on/off. The forward error correction (FEC) that is added to the signal adds robustness to the symbol in the event the amplitude of any of the subcarriers diminish enough to create bit errors.

The data rate and the modulation format are coupled in the Signal Studio software, so that when a data rate is selected, this will automatically select the modulation format as defined in the standard.

After channel coding has been added to the data, and symbol mapping has been performed, a 64-point FFT is applied to the data, see Figure 7. The data is mapped onto 48 data subcarriers, which are identified as subcarriers -26 to -22, -20 to -8, -6 to -1, 1 to 6, 8 to 20, and 22 to 26. This is shown in the Signal Studio software in the Subcarrier Setup

Menu. Each group of 48 data subcarriers makes up one OFDM data symbols. Four pilot subcarriers are inserted for timing information for the receiver.

Afterwards, a guard interval is added to the symbol. This guard interval helps prevent intersymbol interference from signal delay spreads caused by multipath commonly experienced over-the-air interface channel. The guard interval needs to be larger than the delay spread to prevent ISI.

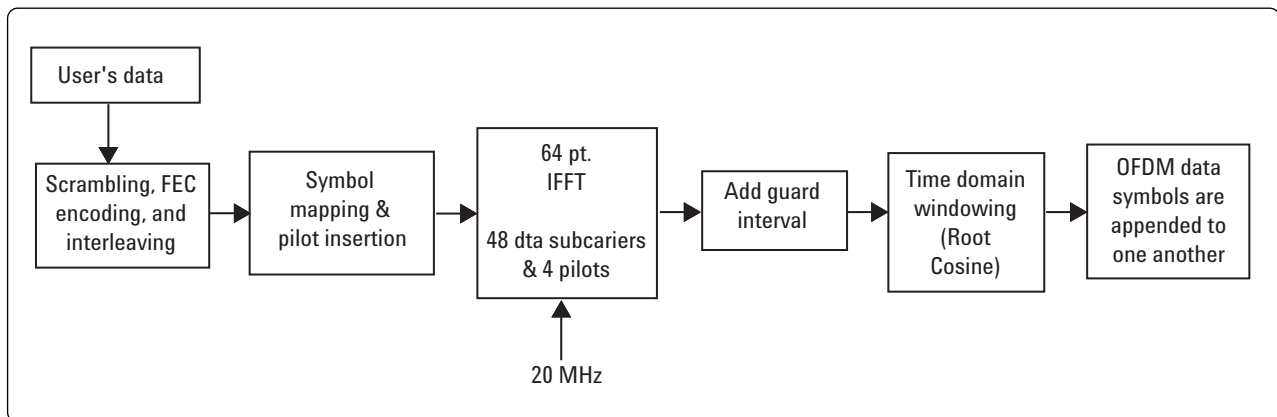


Figure 7. Creation of an OFDM symbol

Raised cosine windowing

802.11a WLAN Signal Studio software calculates one OFDM symbol at a time, using a 64 point IFFT. To create the guard interval at the front of the symbol, it appends the last 16 samples of the 64 point IFFT to the front of the symbol, creating a composite symbol that is 80 samples long (see figure 8). Using the last 16 samples has the effect of making the composite symbol appear continuous in time; that is, the 64 point FFT of the symbol will be identical regardless of which 64 samples we choose out of the 80 available. These 16 additional symbols are what produce multi-path fading immunity, since we can slide in time by up to 0.8 μ S without causing a decoding error.

This would be fine if all we needed was one symbol. But of course we need a whole long string of symbols appended to one another, so we require a means of assembling consecutive symbols without causing spectral regrowth. Spectral regrowth arises from the fact that consecutive symbols rarely begin with the same amplitude and phase that the prior symbol ended with. To avoid this, we must create a smooth transition between the last sample of one symbol and the first sample of the next symbol. We do this with a combination of two tools: a cyclic suffix, and windowing.

Assume we have selected a window length of 16. To create the cyclic suffix, we append the first 16 samples of a given symbol to the end of that symbol, so that now the symbol is effectively 96 samples long. This has the desired effect of making the symbol appear continuous going into the transition. However, if we are to comply with the 802.11a standard, we cannot arbitrarily lengthen the symbol in this way. Instead, this cyclic suffix overlaps in time (and is effectively summed) with the cyclic prefix of the next symbol. This overlapped segment is where windowing is applied. In fact, two windows are applied, one being the mathematical inverse of the other. The first raised cosine window is applied to the cyclic suffix of symbol 1, and rolls off from 1 to 0 over its duration. The second raised cosine window is applied to the cyclic prefix of symbol 2, and rolls on from 0 to 1 over its duration. This gives the desired smooth transition from one symbol to the next.

There is one more variable in the equation: the window length. In this example, we used a window length of 16, so the cyclic suffix was 16 samples long. However, the length of the cyclic suffix is adjusted along with the window length setting, so any suffix length between 1 and 16 may be set. The effect of windowing is that it improves spectral regrowth, but at the expense of multipath fading immunity. This occurs because redundancy in the guard band is reduced due to the fact that the guard band sample values are compromised by the smoothing.

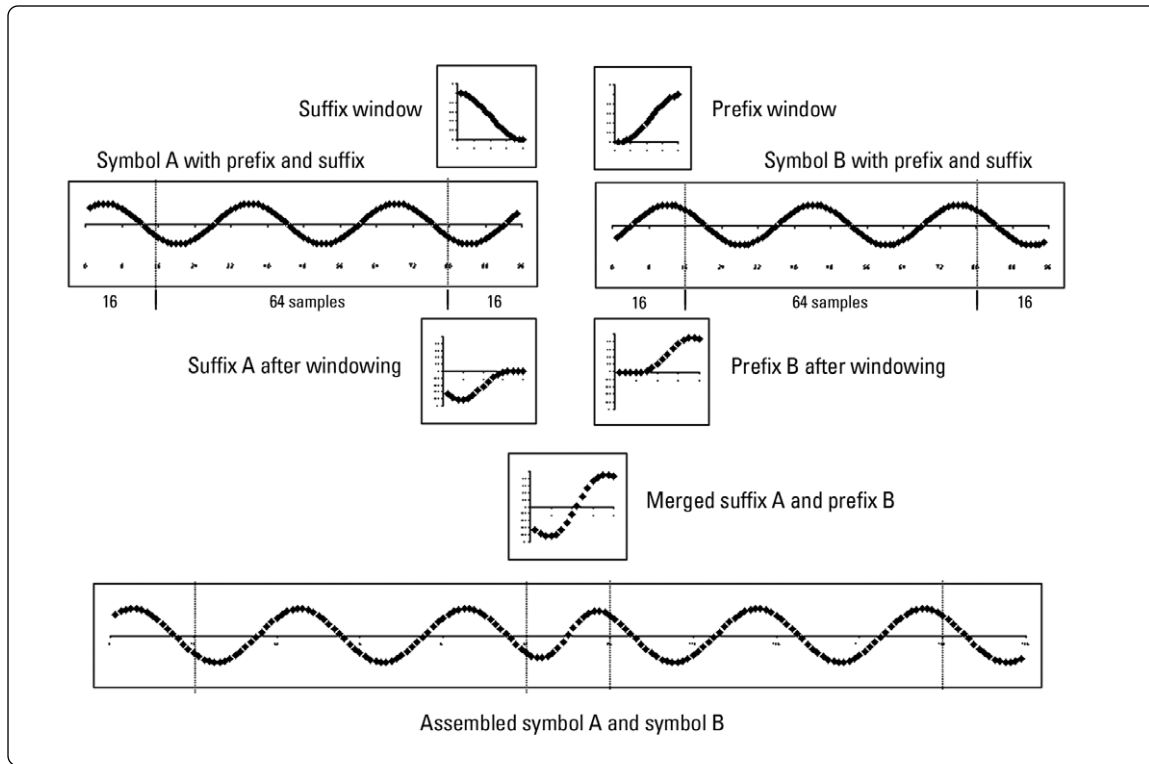


Figure 8. Application of Raised Cosine Windowing

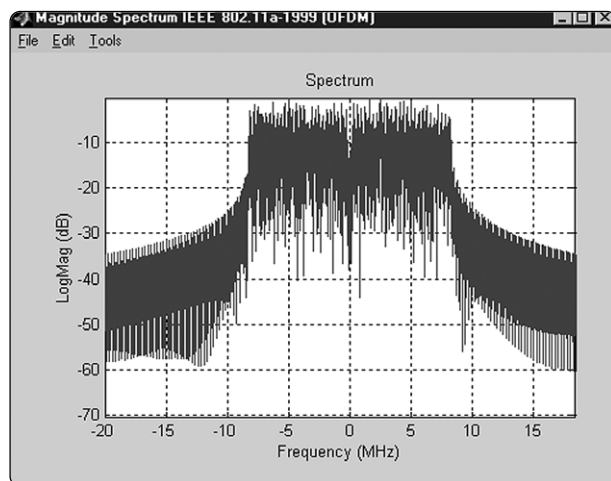


Figure 9. Spectrum plot of 802.11a I/Q waveform with Windowing Length = 0 samples (no windowing)

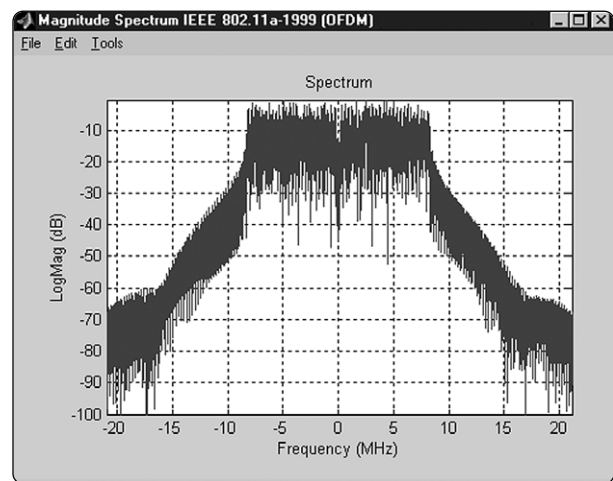


Figure 10. Spectrum plot of 802.11a WLAN Signal Studio I/Q waveform with Windowing Length = 16 samples (maximum)

Creating signals

An 802.11a waveform can be configured and downloaded to the ESG-D/DP in four easy steps:

- Step 1** – Configure the 802.11a signal, including the MAC Header and subcarrier setup
- Step 2** - Setup the signal generation options
- Step 3** - Configure the ESG
- Step 4** - Calculate and download

Step 1 – Configure 802.11a signal, including the MAC header and subcarrier setup

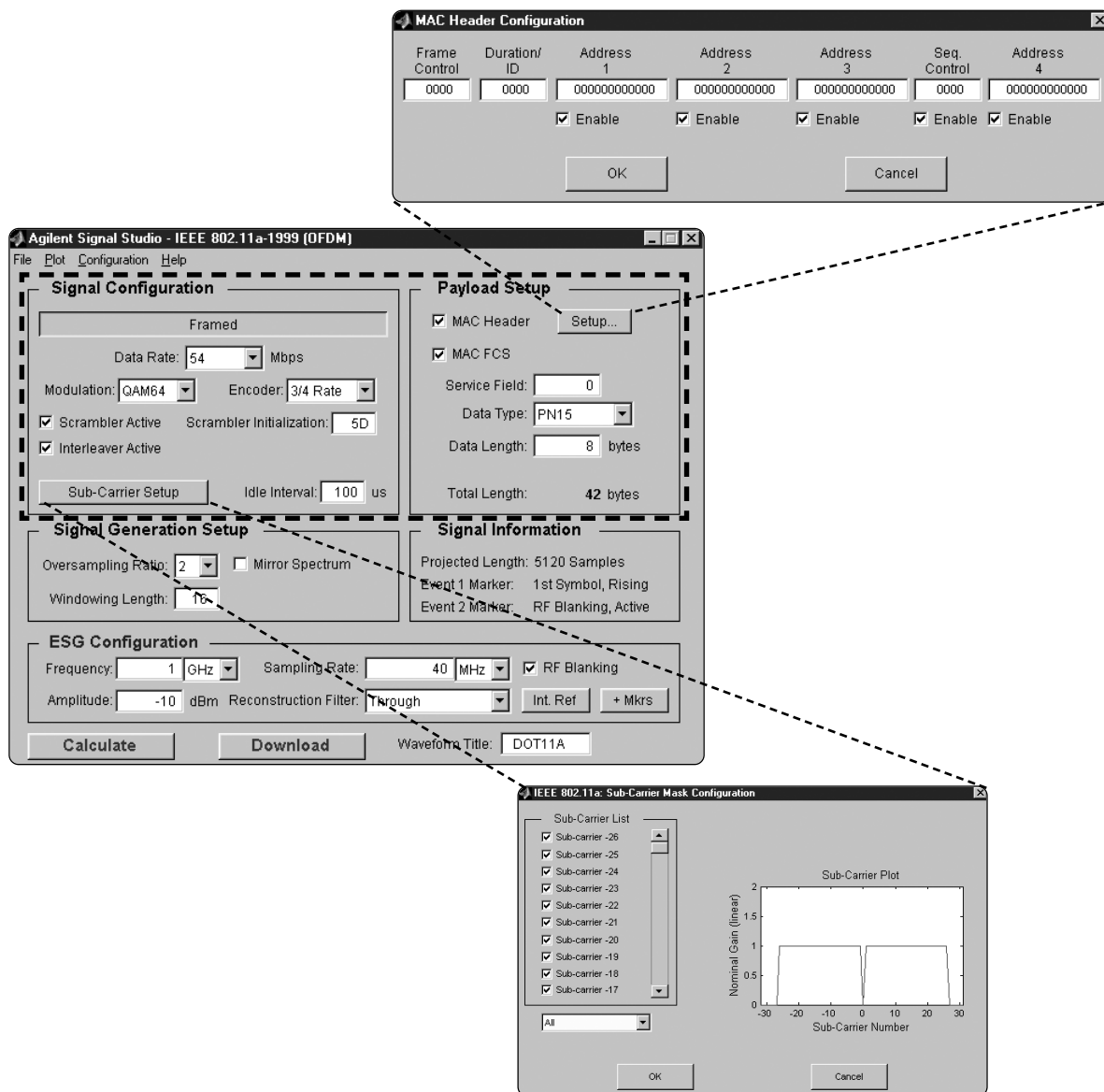


Figure 11. 802.11a WLAN Signal Studio signal configuration menu

Signal configuration

The signal configuration user interface section allows the user to choose specific parameters for the framing of the signal. Notice that you can choose framing, or turn it off. A framed signal is needed in receiver tests, and an unframed signal would be useful in component tests, or other instances where continuous, opposed to bursted, modulation of unframed data is desired.

Framed: Toggles between framed and unframed mode. In framed mode the user can generate a test signal to make measurements according to the standard. In unframed mode, the user can perform measurements where non-framed and non-bursting data is desired.

Data rate: Selects the data rate. Nine different data rates are available: 6 Mbps, 9 Mbps, 12 Mbps, 18 Mbps, 24 Mbps, 36 Mbps, 48 Mbps, 54 Mbps and Custom. Custom allows arbitrary selection of encoding rates and modulation schemes. Otherwise, the data rate selected will automatically set the modulation and encoder rate according to the 802.11a standard.

Modulation: For all the data rates, except Custom, the modulation formats are set according to the 802.11a specification and cannot be changed. The following modulation formats are available:

- BPSK
- QPSK
- 16-QAM
- 64-QAM

Encoder: For all data rates, except Custom, the encoder rate automatically sets the data rate and modulation scheme. When inactive is selected, Custom data rate allows the user to select the desired modulation scheme and no encoding rate. The following encoding rates are available:

- Inactive
- 1/2
- 2/3
- 3/4

Scrambler active: Toggles the activity state of the scrambler.

Scrambler initialization: Sets the initial value of the scrambler. Valid range is any 7-bit value, Hexadecimal representation.

Interleaver active: Toggles the activity state of the interleaver.

Idle interval: Sets the length (in microseconds) of the idle time between frames. This is only relevant in framed mode.

Sub-Carrier setup

This menu configures the individual subcarriers. There are a total of 52 subcarriers for an 802.11a signal, 48 of those signals are data subcarriers, and 4 are pilot subcarriers. The center frequency, which is the zero subcarrier, is nulled. The state of each of the subcarriers can be toggled on/off, or the user can select from some predefined set-ups as follows:

- all
- every 2nd
- every 4th
- upper band
- lower band
- outer band
- outer pair
- none (not allowed)

Payload setup

This section allows the user to configure the MAC header and choose to have a frame check sequence (FCS) added to the packet. The maximum data length of the user data in the payload is 4095 bytes, which includes the MAC header and FCS. Notice that the total length of the entire payload is displayed.

Setup menu: Configures the MAC header.

MAC header: Enables/disables prepending the MAC header to the data payload. The user can set all these individual fields with the desired data, and the user can disable these fields if the data is no longer desired.

MAC FCS: Enables/disables appending the MAC FCS to the data payload. The FCS is automatically calculated by the software if this field is selected.

Data type: Selects the payload data stream, and can contain the following data:

- PN9
- PN15
- all zeros
- all ones
- alternating zeros and ones
- alternating ones and zeros
- user file

Data length: Sets the number of data bytes in a frame. This excludes MAC header and FCS.

Total length: Displays the total number of bytes in the payload. This includes the data and MAC header and FCS.

Step 2 - Set up the signal generation options

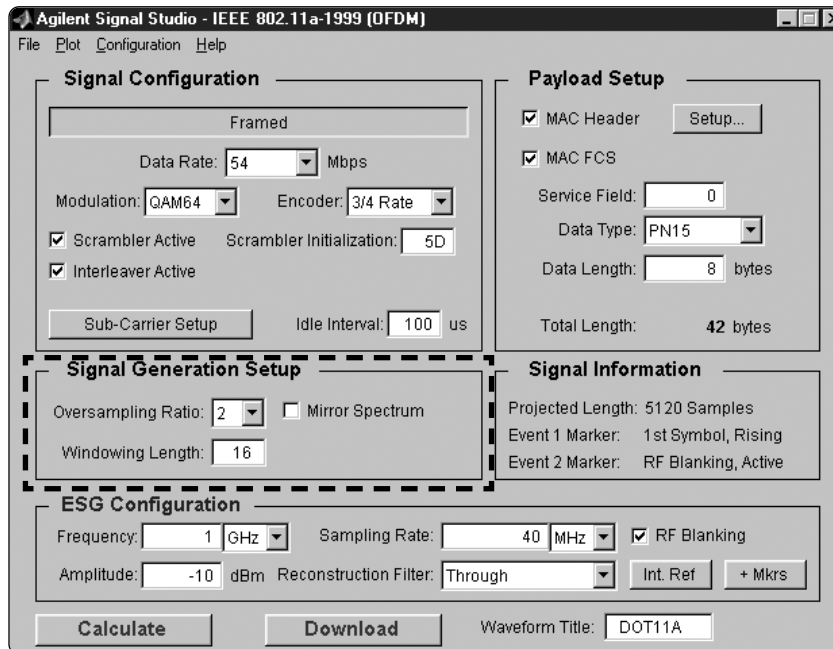


Figure 12. 802.11a WLAN Signal Studio signal generation options menu

Signal generation setup

As illustrated in Figure 12, the Signal Studio software provides a simple interface for defining the following signal generation options: oversampling ratio, windowing length, and mirror spectrum.

Oversample ratio

The over sampling ratio (OSR) defines the number of samples calculated per I/Q symbol. Increasing the over sampling ratio of the constructed signal increases the separation of the sampling images from the desired signal. This allows for better image rejection by the baseband reconstruction filters. However, the improved image rejection comes with a price. Increasing the over sampling ratio increases the

waveform calculation time and file size. Notice that the projected file length in the signal information section is affected by the over sampling ratio setting.

The software offers two different OSRs of 1 and 2. When an OSR is selected, this automatically sets the sampling rate in the ESG configuration section. The lower the sample rate, the less space the waveform takes up in memory, and the faster the signal can be generated and downloaded.

The maximum sampling rate on the ESG is 40 MHz. The ESG-D/DP provides three reconstruction filters (250 kHz, 2.5 MHz, 8 MHz) and a no filter option (through). The bandwidth of the

baseband signal dictates the minimum reconstruction filter bandwidth to be used. The reconstruction filters remove frequency images. These low-pass filters are intended to transmit the baseband signal while rejecting the higher frequency images.

When using the reconstruction filters available on the ESG, part of the desired higher frequency components of the 8.3-MHz wide baseband 802.11a signal will be cut off. To prevent this from happening, it is suggested that an external reconstruction filter be used, see Figure 13. When using an external reconstruction filter, set the reconstruction filter in the ESG configuration section to *through*.

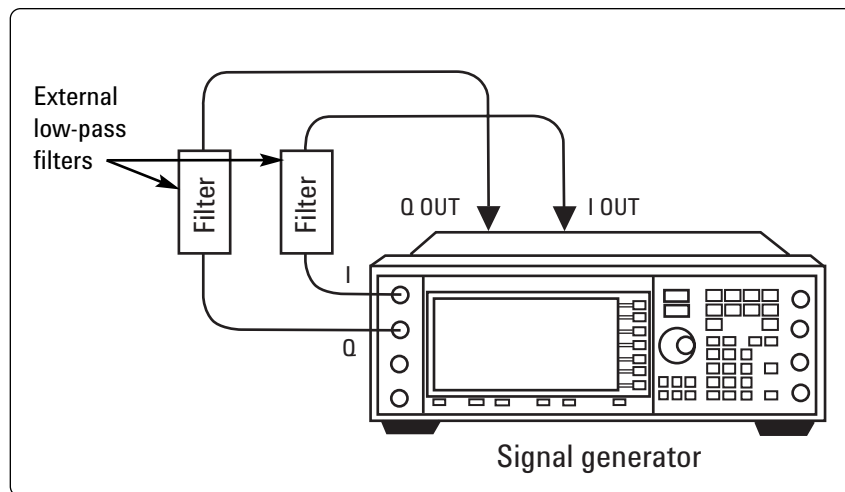


Figure 13. ESG setup with external reconstruction filters

The reconstruction filter should have at least 8.3 MHz bandwidth, which is the baseband bandwidth of 802.11a. These reconstruction filters allow the entire desired signal to pass through, while rejecting the images that occur at multiples of the OSR.

Windowing length

A raised cosine time-domain window is applied to the baseband signal after the inverse Fourier transform is applied to the signal to reduce out-of-band power. The user can select the length of the raised cosine window. The range is 0 to 16 samples.

Mirror spectrum

This allows the user to invert the spectrum. If this option is selected, then the Q channel is inverted. This feature may be useful if the user plans to use a mixer to up convert the RF signal to the 5 GHz frequency band.

Step 3 – Configure the ESG

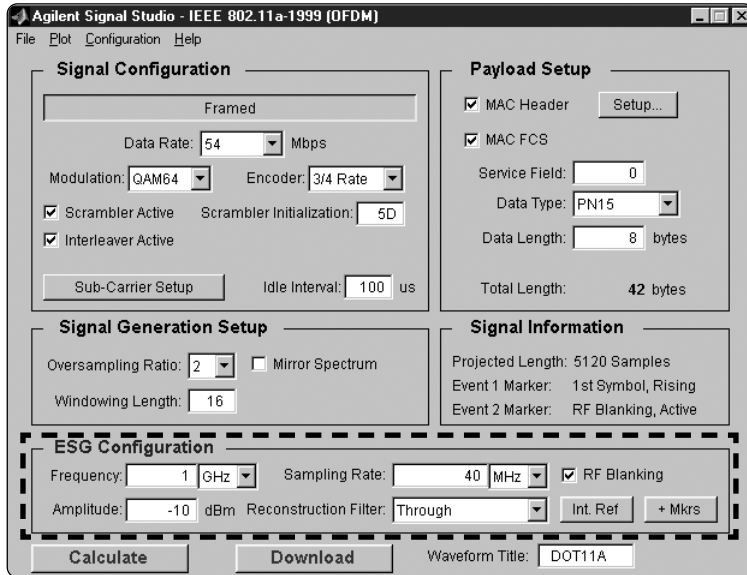


Figure 14. 802.11a WLAN Signal Studio signal generation ESG menu

Along with the compiled waveform, the Signal Studio software passes instrument settings to the ESG signal generator. These are defined in the ESG configuration menu. Table 2 describes the settings.

After the waveform and instrument settings have been downloaded to the instrument, only the instrument settings can be modified from the signal generator front panel. The waveform itself cannot be modified, except by recalculating with new settings in the Signal studio software.

ESG configuration parameters	
Frequency	Defines the frequency at which the ESG will generate the signal.
Amplitude	Defines the power at which the ESG will generate the signal.
Sampling rate	This parameter is automatically set when the over sampling ratio is defined in the signal generation options menu. It is the rate at which the waveform I/Q samples are read from the dual arbitrary waveform generator memory during playback.
Reconstruction filter	The ESG-D/DP provides three reconstruction filters (250 kHz, 2.5 MHz, 8 MHz) and a no filter option (through). The bandwidth of the baseband signal dictates the minimum reconstruction filter bandwidth to be used. Depending on the over sampling ratio and where the image frequencies appear, a wider bandwidth reconstruction filter may be selected. For more information on reconstruction filters refer to [4]
RF blanking	When the 802.11a signal is framed, RF blanking improves the on/off ratio of the RF bursts. The ESG Event 2 marker is internally routed to provide the RF blanking signal. Note: When RF blanking is enabled, the marker polarity, the +Mrkrs button, must be set to positive or the wanted RF signal will be blanked resulting in no RF output from the ESG.
Internal/external frequency	Sets reference frequency for the ESG-D/DP dual arbitrary baseband generator to internal or reference external. If an external reference is used, it should be connected to the ESG-D/DP before the waveform and instrument settings are downloaded to the instrument.
Marker polarity	Toggles between positive/negative and sets the polarity of the Event 1 and Event 2 markers. When RF blanking is activated, the Event 2 marker is internally routed to provide access to the RF blanking signal. Access to these signals is provided on the Event 1 and Event 2 ports on the rear panel of the ESG.

Table 2. 802.11a WLAN Signal Studio instrument settings for the ESG-D/DP

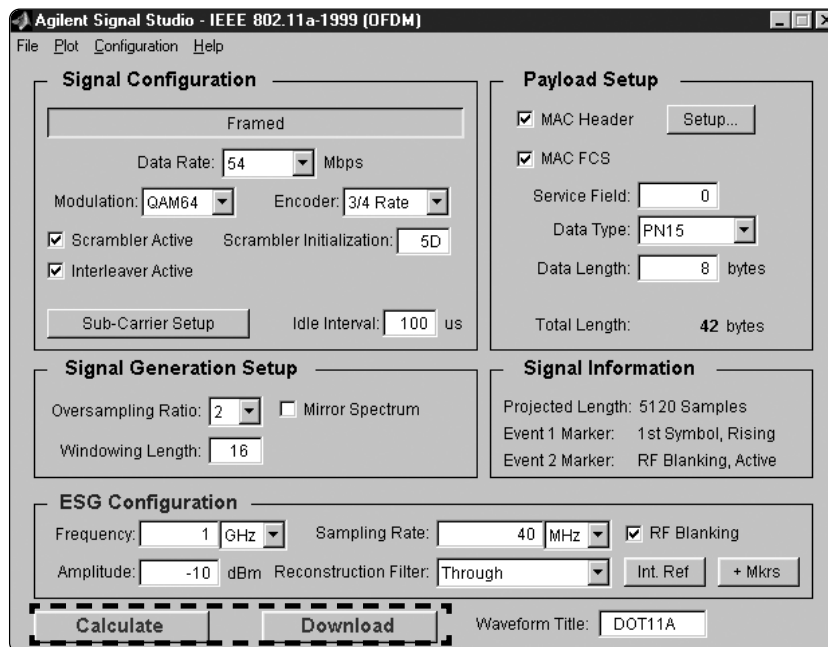


Figure 15. 802.11a WLAN Signal Studio calculate and download menu.

Step 4a - Calculate

Once the waveform and ESG-D/DP settings have been configured, the final step is to calculate the waveform and download it to the instrument.

First name the waveform in the Waveform Title field. This is the name that will appear in the ESG-D/DP user interface after the waveform is downloaded to

the instrument. The ESG-D/DP only recognizes waveforms that are named using the following alphanumeric characters: A thru Z, 0 thru 9, \$&_#+-[]. There is a 20-character maximum name length for waveform files. If un-supported alphanumeric characters are used to name the waveform, the ESG-D/DP will generate a File Name Not Found Error (Error: -256) when the

waveform is downloaded to the instrument.

Select the calculate button.

The software will generate an I/Q waveform file in accordance with Signal Studio settings. Waveform calculation time varies according to the selected data rate, OSR, data length of the payload, and the computer's processing speed.

After the I/Q waveform has been calculated, Signal Studio software can generate a plot of the spectrum. From the menu keys at the top of

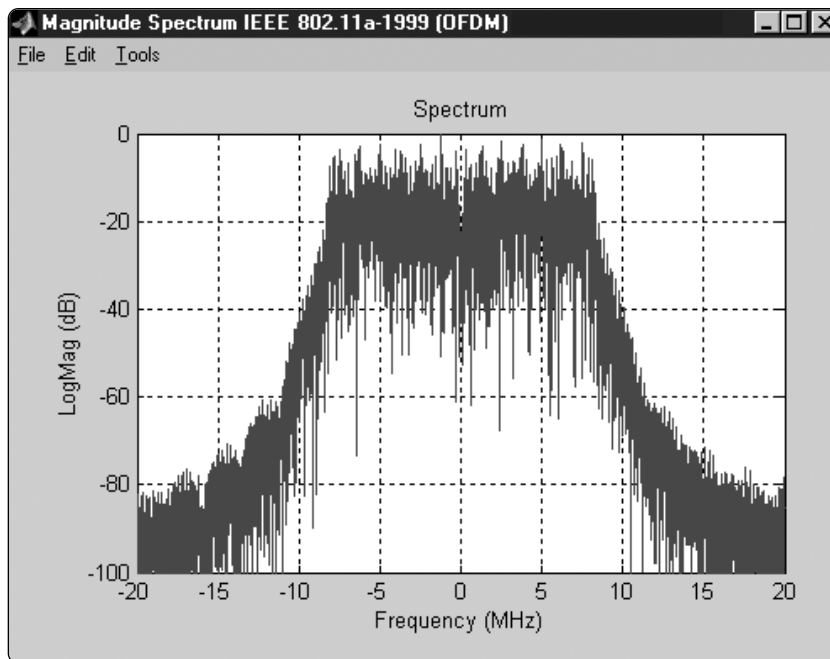


Figure 16. 802.11a Signal Studio plotted spectrum

the window, choose Plot, Spectrum
(see Figure 16).

The plot can be magnified using the zoom feature in the Tools pull-down menu at the top of the plot. Simply select the zoom feature and use the mouse pointer to select the section of the plot to be affected. Plots of the I/Q waveforms can be generated in a similar manner.

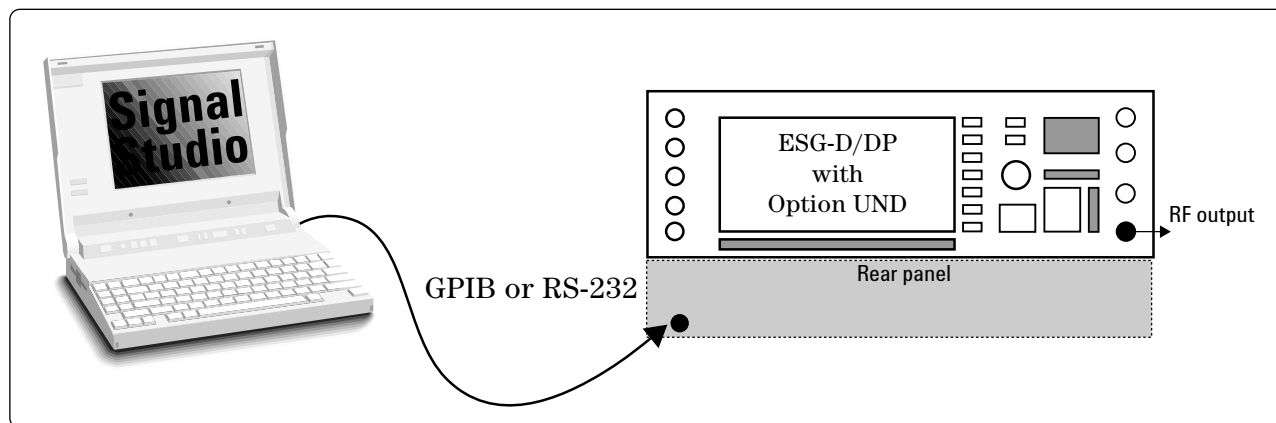


Figure 17. PC to ESG configuration

Signal Studio configuration and setup

Note: See the *Signal Studio Installation Guide* [1] for more details on connecting the computer to the ESG.

The ESG will be connected to the PC as shown in Figure 17.

Step 4b - Download

Select download button (see Figure 15) to send the calculated

I/Q waveform file representing the 802.11a packet and the signal generator settings to the instrument. The signal generator automatically begins producing the 802.11a RF signal. Local control of the instrument is then re-enabled and signal generator settings can be modified from the instrument's front panel. The waveform files themselves cannot be modified once they have been downloaded to the instrument. The 802.11a WLAN Signal Studio software configuration can be saved to the host computer's local hard drive. The configuration can then be recalled at any time to re-calculate and download the waveform to the signal generator.

This is especially useful when complex configurations have been created in the software. From the menu keys at the top of the window in Figure 15, choose File, Save As, and then name the file and save it in the E443xB/802.11a directory. The software configuration can be recalled anytime by choosing the following menu options: File, Open, then the file name.

After the calculated I/Q waveform has been downloaded to the signal generator for playback, it can be saved in the instrument's non-volatile memory for storage and later recall. For more information

on saving waveforms to the instrument, refer to the *ESG Family Signal Generator Option UND Dual Arbitrary Waveform Generator Users and Programming Guide*.

Note: The I/Q waveform files created by the Signal Studio software cannot be stored outside the instrument.

Basic measurements

Required equipment:

- ESG-D/DP series RF signal generator (E4430/1/2/3/4/5/6/7B).
- Arbitrary waveform generator, Option UND
- 802.11a WLAN Signal Studio, Option 410 license key
- 89640A vector signal generator

The following measurements illus-

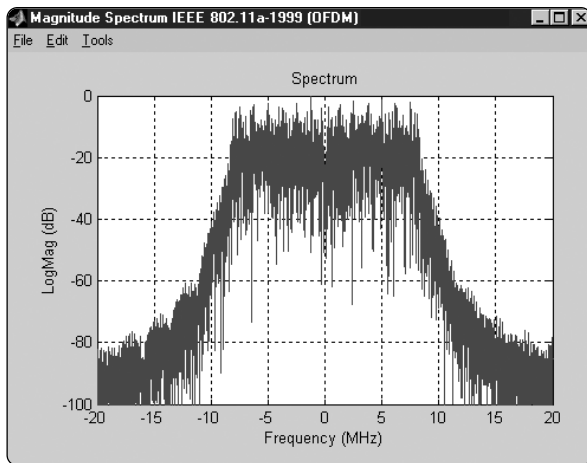


Figure 18. 802.11a WLAN Signal Studio spectral plot with all 52 subcarriers on

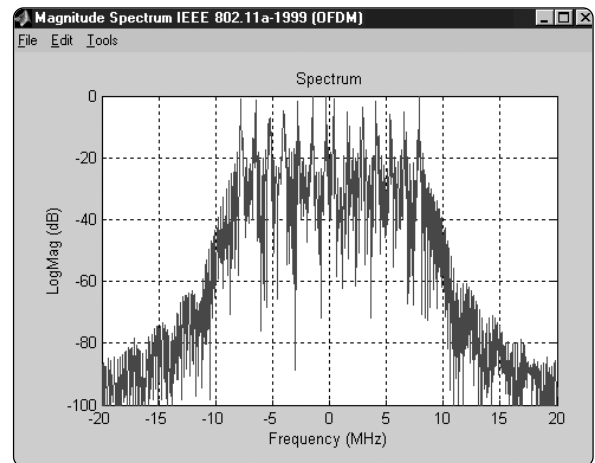


Figure 19. 802.11a WLAN Signal Studio spectral plot with every fourth subcarrier on

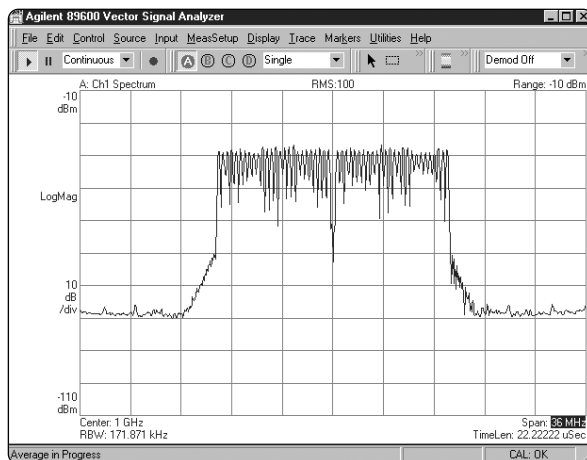


Figure 20. 89640A VSA spectral measurement of 802.11a WLAN Signal Studio signal with all 52 subcarriers on
Note: averaging is on.

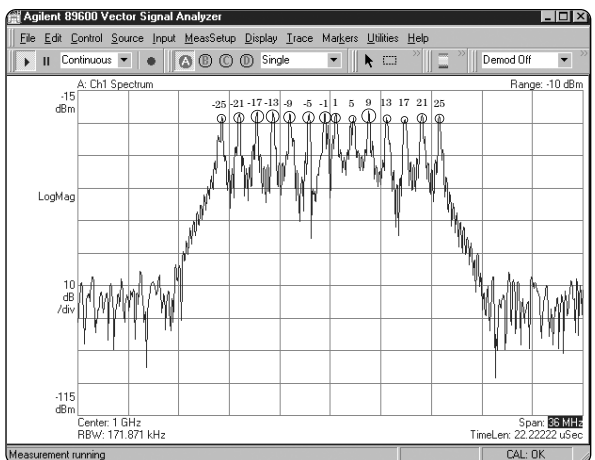


Figure 21. 89640A VSA spectral measurement of 802.11a WLAN Signal Studio signal with every fourth subcarrier on

trate some of the typical characteristics of the 802.11a WLAN Signal Studio waveform that was generated and transmitted from the ESG. Most of these measurements were set up with the same parameters as shown in Figure 15. Please refer to the *802.11a WLAN Signal Studio Software for the E4438C ESG Vector Signal Generator* product note for instructions on how to make these measurements.

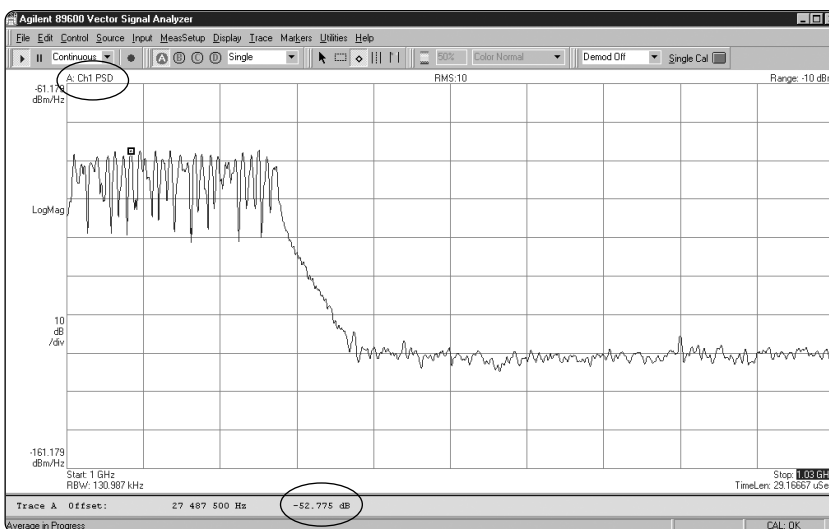


Figure 22. 89640A VSA power spectral density measurement of 802.11a WLAN Signal Studio signal

dB relative to maximum spectral density of signal	frequency offset
-20 dB	$f_c > \pm 9$ to 11 MHz
-20 to -28 dB	$f_c > \pm 11$ to 20 MHz
-28 to -40 dB	$f_c > \pm 20$ to 30 MHz
≥ -40 dB	$f_c > \pm 30$ MHz and greater

Table 3. IEEE 802.11a transmitted spectral requirements

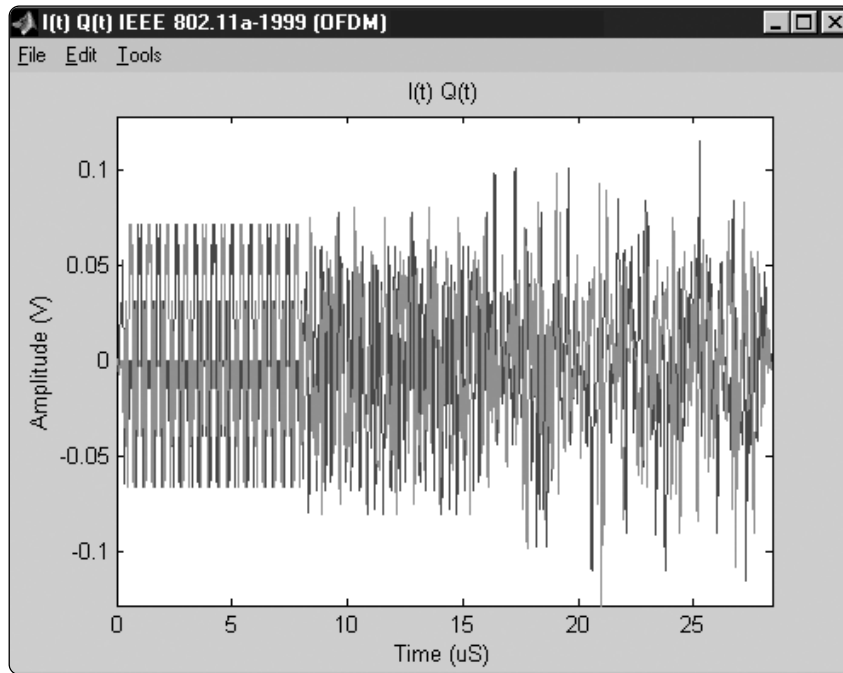


Figure 23. 802.11a WLAN Signal Studio I/Q components plot

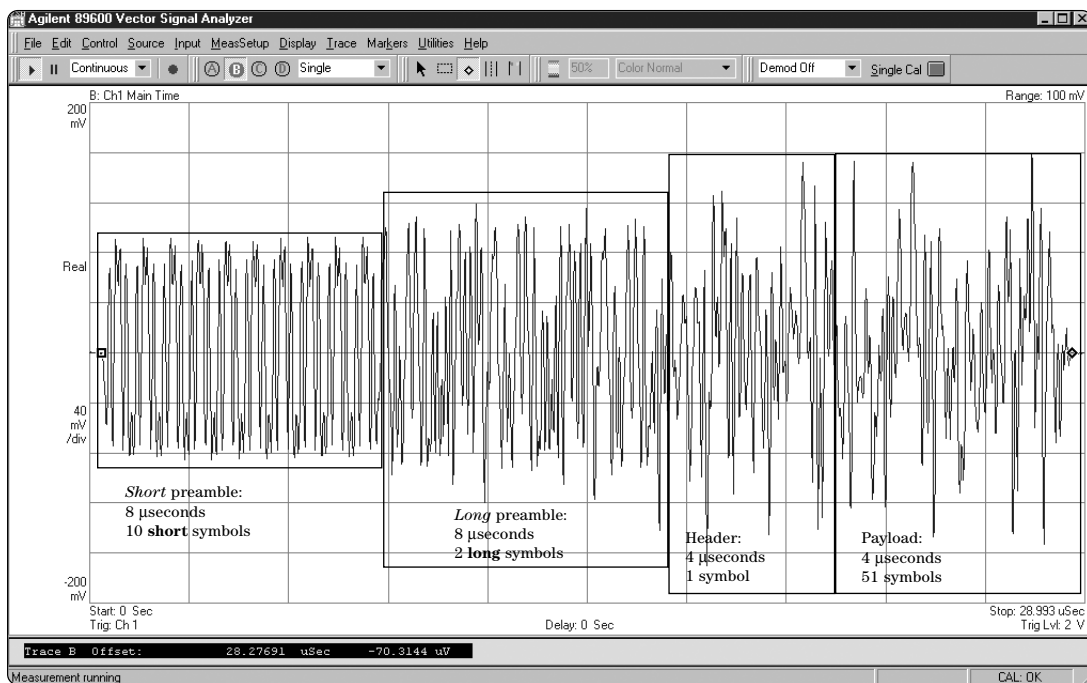


Figure 24. 89640A VSA time domain measurement of 802.11a WLAN Signal Studio signal

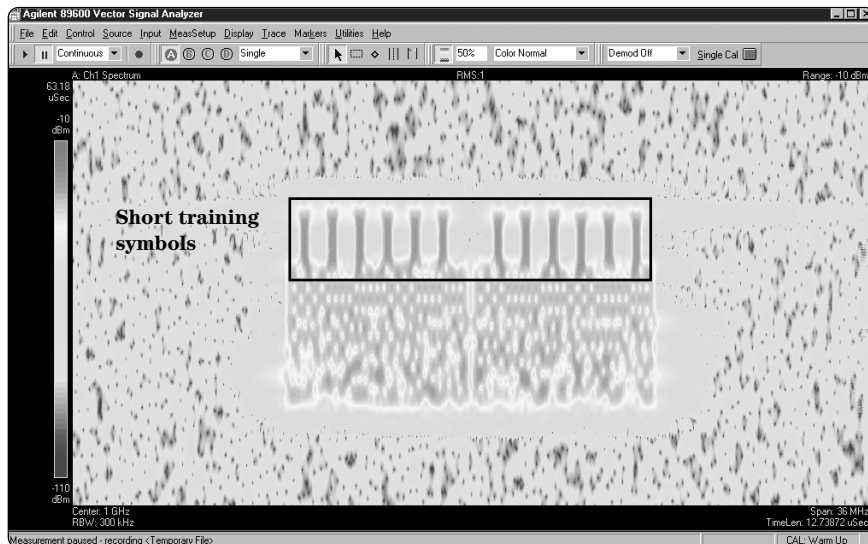


Figure 25. 89640A VSA spectrogram of 802.11a WLAN Signal Studio signal

The spectrogram shown in Figure 25 shows a burst of 802.11a packet that is 28-ms long . Each spectrum measurement is flattened to one row of pixels. Since height can no longer be used to represent amplitude, color is used instead. The spectrogram display is useful for looking at the time-varying spectral characteristics of a burst. The following are some of the attributes of this display:

- red represents a large signal level
- green represents a mid signal level - the bursting of the packet in the above plot
- blue represents a low signal level
- the (horizontal) frequency axis is the same as a regular spectrum display
- the vertical axis is time instead of amplitude
- the top of the spectrogram trace is the start of the burst and the bottom, the end

Notice that the short training symbols are added to subcarriers: -24, -20, -16, -12, -8, -4, 4, 8, 12, 16, 20, 24 , and the subcarriers show the most energy.

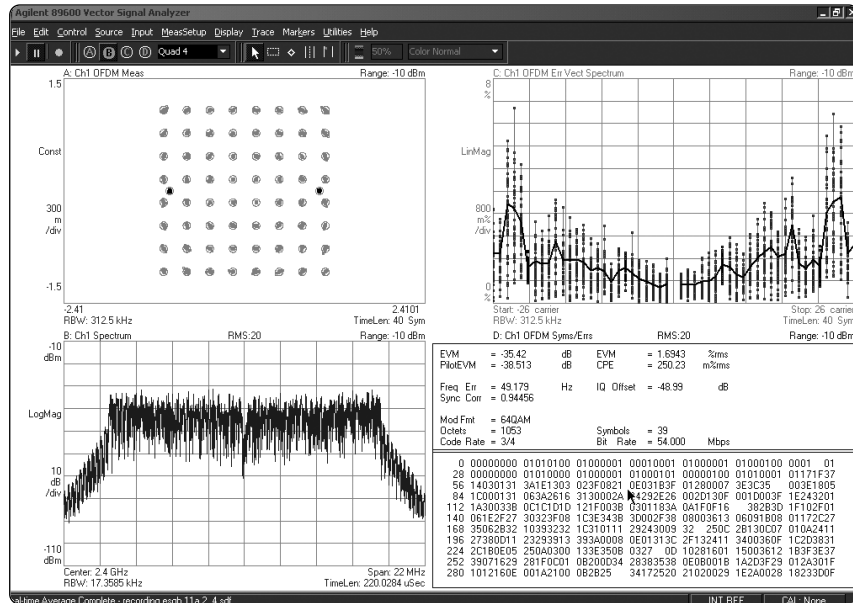


Figure 26. 89640A VSA constellation and equalizer measurements of 802.11a WLAN Signal Studio signal

Figure 26 shows an OFDM constellation in the upper trace. It is a composite plot of all carriers over all symbols. The constellation is a composite of the BPSK carriers and the 64-QAM carriers.

Data sheet for 802.11a WLAN Signal Studio

Framing	<ul style="list-style-type: none"> • Framed: bursted packets includes a PLCP Preamble (short and long) and Header (Signal field) • Non-framed: Continuous non-bursted payload data (no PLCP Preamble and Header added to payload) 																								
Raised cosine windowing	Range: 0-16 samples																								
Convolutional encoding	1/2, 2/3, and 3/4 rate																								
Modulation formats	BPSK, QPSK, 16-QAM, 64-QAM																								
Data source	1s, 0s, 01s, 10s, PN9, PN15, user file																								
Data rates	6,9,12,18,24,36,48,54 Mbps and custom data rate																								
Custom data rate	<table> <tr> <td>Modulation: BPSK</td> <td>Encoder: Inactive</td> <td>Data rate: 12 Mbps</td> </tr> <tr> <td>Modulation: QPSK</td> <td>Encoder: Inactive</td> <td>Data rate: 24 Mbps</td> </tr> <tr> <td>Modulation: 16-QAM</td> <td>Encoder: Inactive</td> <td>Data rate: 48 Mbps</td> </tr> <tr> <td>Modulation: 64-QAM</td> <td>Encoder: Inactive</td> <td>Data rate: 72 Mbps</td> </tr> <tr> <td>Modulation: BPSK</td> <td>Encoder: 2/3</td> <td>Data rate: 8 Mbps</td> </tr> <tr> <td>Modulation: QPSK</td> <td>Encoder: 2/3</td> <td>Data rate: 16 Mbps</td> </tr> <tr> <td>Modulation: 16-QAM</td> <td>Encoder: 2/3</td> <td>Data rate: 32 Mbps</td> </tr> <tr> <td>Modulation: 64-QAM</td> <td>Encoder: 1/2</td> <td>Data rate: 36 Mbps</td> </tr> </table>	Modulation: BPSK	Encoder: Inactive	Data rate: 12 Mbps	Modulation: QPSK	Encoder: Inactive	Data rate: 24 Mbps	Modulation: 16-QAM	Encoder: Inactive	Data rate: 48 Mbps	Modulation: 64-QAM	Encoder: Inactive	Data rate: 72 Mbps	Modulation: BPSK	Encoder: 2/3	Data rate: 8 Mbps	Modulation: QPSK	Encoder: 2/3	Data rate: 16 Mbps	Modulation: 16-QAM	Encoder: 2/3	Data rate: 32 Mbps	Modulation: 64-QAM	Encoder: 1/2	Data rate: 36 Mbps
Modulation: BPSK	Encoder: Inactive	Data rate: 12 Mbps																							
Modulation: QPSK	Encoder: Inactive	Data rate: 24 Mbps																							
Modulation: 16-QAM	Encoder: Inactive	Data rate: 48 Mbps																							
Modulation: 64-QAM	Encoder: Inactive	Data rate: 72 Mbps																							
Modulation: BPSK	Encoder: 2/3	Data rate: 8 Mbps																							
Modulation: QPSK	Encoder: 2/3	Data rate: 16 Mbps																							
Modulation: 16-QAM	Encoder: 2/3	Data rate: 32 Mbps																							
Modulation: 64-QAM	Encoder: 1/2	Data rate: 36 Mbps																							
Data length	<p>Maximum</p> <ul style="list-style-type: none"> • Without MAC Header and FCS: 4095 bytes • With MAC Header and FCS: 4061 bytes <p>Minimum</p> <ul style="list-style-type: none"> • 1 Byte 																								
Idle interval between frames	Range: 0-1000 μ s																								
Subcarrier setup	Range: -1 to -26, and 1 to 26. Individually selectable. All or any subcarrier configuration; except none.																								
Service field	16 bit Hex (First 7 LSB are masked to zero).																								
Scrambler seed initialization value	7 bits Hex																								
Oversample ratio	1,2																								
Frame length	Range: 24 μ s to 5.484 ms																								
Sample length	Maximum: 259,360 samples																								

Table 4. Features for 802.11a WLAN Signal Studio software

Acronyms and abbreviations

16-QAM	16 point quadrature amplitude modulation
64-QAM	64 point quadrature amplitude modulation
BPSK	binary phase shift keying
dBr	dB relative to the maximum power spectral density of the signal
fc	center frequency
FCS	frame check sequence
FDM	frequency division multiplexing
ICI	intercarrier interference
ISI	intersymbol interference
I/Q	in-phase/quadrature
IEEE	Institute of Electrical and Electronics Engineers
OFDM	orthogonal frequency division multiplexing
QPSK	quadrature phase shift keying
MAC	medium access control
OSR	oversample ratio
PHY	physical layer
PLCP	physical layer convergence procedure
PMD	physical medium dependent
PPDU	PLCP protocol data unit
PSD	power spectral density
PSDU	PLCP service data unit
RF	radio frequency
WLAN	wireless LAN

References

Institute of Electrical and Electronics Engineers (IEEE). 1999. *IEEE Std 802.11, 1999 edition*. N.p.: IEEE.

Institute of Electrical and Electronics Engineers (IEEE). 1999. *IEEE Std 802.11a-1999*. N.p.: IEEE.

O'Hara, Bob and Al Petrick. 1999. *IEEE 802.11a handbook*. New York: Standards Information Network IEEE Press.

Van Nee, Richard and Ramjee Prasad. 2000. *OFDM for wireless multimedia communications*. Boston: Artech House.

Additional literature

Signal Studio Installation Guide

<http://www.tm.agilent.com/data/downloads/eng/tmo/EPG084705.pdf>

Agilent ESG Family of RF Signal Generators - Data Sheet

Literature number 5965-3096E

Agilent ESG Family/RF Signal Generators - Configuration Guide

Literature number 5965-4973E

Generating Digital Modulation with the Agilent ESG-D/DP Series Dual Arbitrary Waveform Generator

Literature number 5966-4097E

ESG Family Signal Generators Option UND Dual Arbitrary Waveform Generator

Users and Programming Guide

Literature number E4400-90328

Agilent 89600 Series Wide Bandwidth Vector Signal Analyzers

Literature number 5980-0723E

More information on the 89600 VSAs can be found at: www.agilent.com/find/89600

Ordering information

802.11a WLAN Signal Studio is Option 410 for the Agilent ESG-D/DP series signal generators.

ESG-D: standard models

E4430B - ESG-D series RF signal generator, 1 GHz

E4431B - ESG-D series RF signal generator, 2 GHz

E4432B - ESG-D series RF signal generator, 3 GHz

E4433B - ESG-D series RF signal generator, 4 GHz

ESG-DP: high spectral purity models

E4434B - ESG-DP series RF signal generator, 1 GHz

E4435B - ESG-DP series RF signal generator, 2 GHz

E4436B - ESG-DP series RF signal generator, 3 GHz

E4437B - ESG-DP series RF signal generator, 4 GHz

The Signal Studio software requires that the ESG is equipped with the optional dual arbitrary waveform generator (Option UND). Firmware revision B.03.75 is required to activate the license key on the ESG signal generator.

Try before you buy! Download the software for evaluation by visiting www.agilent.com/find/signal_studio. However, to load the signal created by the software into the ESG, a license key must be purchased. The license key can be ordered through a sales engineer or local sales office. Contact information for both can be found at www.agilent.com/find/assist.

Upgrade kits

If you currently own an ESG and are interested in obtaining an upgrade kit only (license key), order: Option E443xK-410 (x is included in the product number).



Agilent Email Updates

www.agilent.com/find/emailupdates

Get the latest information on the products and applications you select.

Windows is a U.S. registered trademark of Microsoft Corporation

Pentium is a U.S. registered trademark of Intel Corporation.

Agilent Technologies' Test and Measurement Support, Services, and Assistance

Agilent Technologies aims to maximize the value you receive, while minimizing your risk and problems. We strive to ensure that you get the test and measurement capabilities you paid for and obtain the support you need. Our extensive support resources and services can help you choose the right Agilent products for your applications and apply them successfully. Every instrument and system we sell has a global warranty. Support is available for at least five years beyond the production life of the product. Two concepts underlie Agilent's overall support policy: "Our Promise" and "Your Advantage."

Our Promise

Our Promise means your Agilent test and measurement equipment will meet its advertised performance and functionality. When you are choosing new equipment, we will help you with product information, including realistic performance specifications and practical recommendations from experienced test engineers. When you use Agilent equipment, we can verify that it works properly, help

with product operation, and provide basic measurement assistance for the use of specified capabilities, at no extra cost upon request. Many self-help tools are available.

Your Advantage

Your Advantage means that Agilent offers a wide range of additional expert test and measurement services, which you can purchase according to your unique technical and business needs. Solve problems efficiently and gain a competitive edge by contracting with us for calibration, extra-cost upgrades, out-of-warranty repairs, and onsite education and training, as well as design, system integration, project management, and other professional engineering services. Experienced Agilent engineers and technicians worldwide can help you maximize your productivity, optimize the return on investment of your Agilent instruments and systems, and obtain dependable measurement accuracy for the life of those products.

Agilent T&M Software and Connectivity

Agilent's Test and Measurement software and connectivity products, solutions and developer network allows you to take time out of connecting your instruments to your computer with tools based on PC standards, so you can focus on your tasks, not on your connections. Visit

www.agilent.com/find/connectivity

for more information.

By internet, phone, or fax, get assistance with all your test & measurement needs

Online Assistance:

www.agilent.com/find/assist

Phone or Fax

United States:

(tel) 800 452 4844

Canada:

(tel) 877 894 4414

(fax) 905 282 6495

China:

(tel) 800 810 0189

(fax) 800 820 2816

Europe:

(tel) (31 20) 547 2323

(fax) (31 20) 547 2390

Japan:

(tel) (81) 426 56 7832

(fax) (81) 426 56 7840

Korea:

(tel) (82 2) 2004 5004

(fax) (82 2) 2004 5115

Latin America:

(tel) (305) 269 7500

(fax) (305) 269 7599

Taiwan:

(tel) 0800 047 866

(fax) 0800 286 331

Other Asia Pacific Countries:

(tel) (65) 6375 8100

(fax) (65) 6836 0252

Email:

tm_asia@agilent.com

Product specifications and descriptions in this document subject to change without notice.

© Agilent Technologies, Inc. 2002

Printed in USA, October 16, 2002

5988-4909EN



Agilent Technologies