

16034E-01A

Information Only Service Note

Supersedes:
16034E-01

16034E SMD Test Fixture

Serial Numbers:	Non-RoHS Fixture	“MY44100001 – MY44199999” “SG44100001 – SG44199999”
	RoHS Fixture	OR “MY44200001 and above” “SG44200001 and above”

Manufacturing ID Number: NA

This service note provides the updated part numbers and figures for both RoHS and non-RoHS 16034E SMD Test Fixture

Parts Required:

P/N Description Qty.

Details refer to Table 1- 1, Table 2- 1 shown below

ADMINISTRATIVE INFORMATION

Calibration Required
 Calibration NOT Required

PRODUCT LINE: WN
AUTHOR: LS

ADDITIONAL INFORMATION: **Support part information for 16034E SMD Test Fixture.**

Situation 1:

For non-RoHS 16034E SMD Test Fixture (S/N: MY441xxxxx/SG441xxxxx and below).

Solution/Action:

Shown are the supported parts and their respective RoHS compliant replacement support part. RoHS conversion involves with design and dimension change which result in the RoHS support part backward incompatible with non-RoHS 16034E. Special handling is needed while using the RoHS replacement part on non-RoHS 16034E. The original support part number is replaced by the respective “RoHS Compliant Replacement Part”. Once the original support part is depleted, please proceed to obtain the RoHS compliant support part. Please refer to Table 1- 1 for the respective replacement part accordingly.

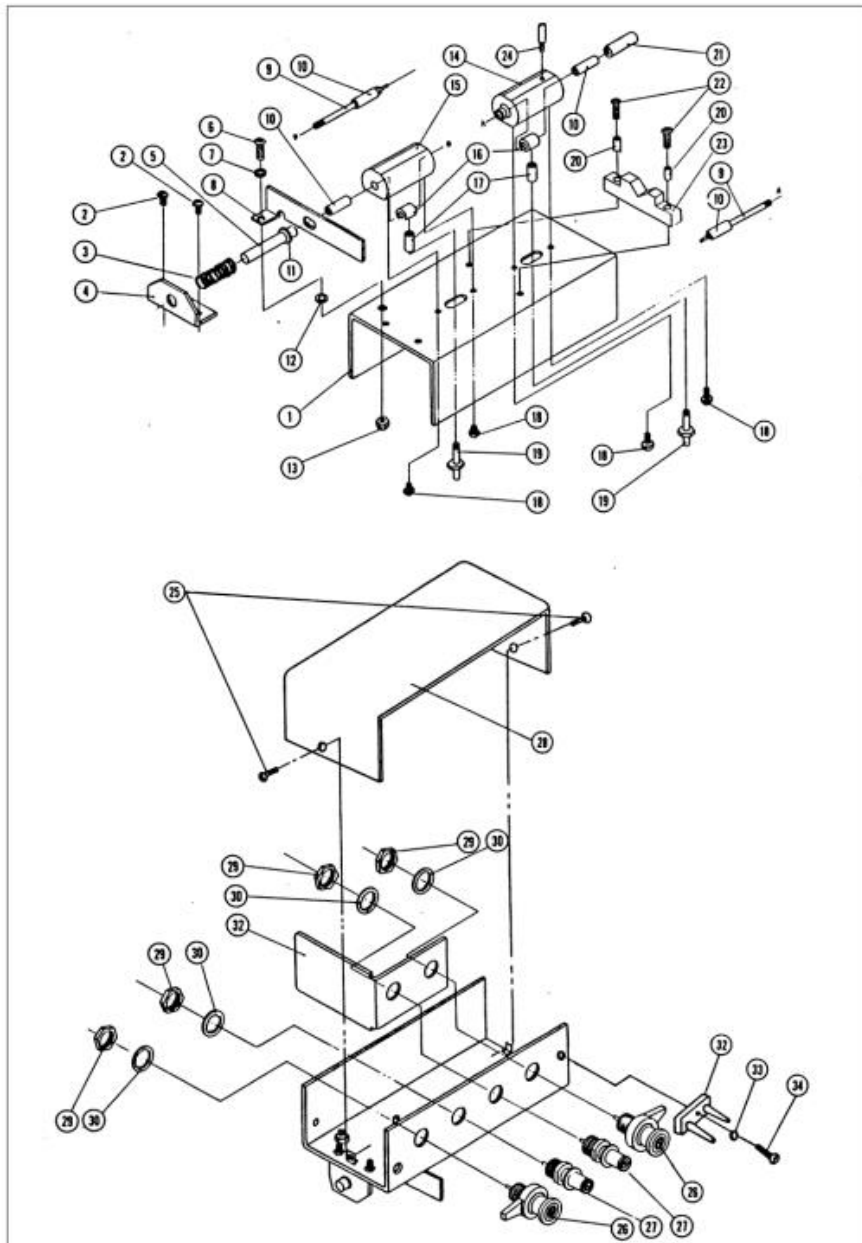


Figure 1- 1

NOTE: For RoHS Compliant Upper Level Assembly Replacement Part, if multiple parts are replaced by a common higher assembly part, only order ONE part of the higher level common assembly.

For the original support part (Non-RoHS Compliant Replacement Part), when it is defective and the part status became Obsolete, replaced it by a common higher assembly part of RoHS Compliant Replacement Part.

Shown in Table 1- 1 are the original support part and its compatible RoHS replacement part/assembly

Table 1- 1

Ref/D	Part Number	Qty.	Description	RoHS Compliant Replacement Part	Qty.
1	16034-00221 (16034-00241)	1	TOP COVER	16034-60005	1
2	2200-0103 (No more used)	2	SCREW	<i>Not used</i>	-
3	1460-0323	1	SPRING	1460-0323	1
4	16034-01202 (No more used)	1	BRACKET	<i>Not used</i>	-
5	16034-25004	1	KNOB	16034-25004	1
6	2360-0201	1	SCREW	16034-60005	1
7	3050-0228	1	WASHER	Not used	-
8	16034-05001	1	LEVER	16034-60005	1
9	16034-23001	2	SHAFT	16034-23001	2
10	16034-25002	4	COLLAR	16034-25002	4
11	0510-0083	1	ERING	0510-0083	1
12	3050-1138	1	WASHER	16034-60005	1
13	2420-0006 (2420-0003)	1	NUT	16034-60005	1
14	16034-20002 (16034-20102)	1	BLOCK	16034-60005	1
15	16034-20001 (16034-20101)	1	BLOCK	16034-60005	1
16	16034-24001	2	COLLAR	16034-24001	2
17	16034-25001	2	COLLAR	16034-25001	2
18	2200-0101	4	SCREW	16034-60005	1
19	16034-20003	2	PLUG	16034-20003	2
20	0380-0044 (3050-0229)	2	COLLAR	16034-60005	1
21	16034-25003	1	KNOB	16034-25003	1

Ref/D	Part Number	Qty.	Description	RoHS Compliant Replacement Part	Qty.
22	2200-0769 (2200-0111)	2	SCREW	16034-60005	1
23	16034-25005 (42851-40021)	1	BLOCK	42851-40021	1
24	16034-23013	1	SCREW	16034-60005	1
25	2360-0192	2	SCREW	16034-60005	1
26	16012-7122 (5012-8617)	2	BNC ASS'Y	5012-8617	2
27	1250-1798 (5012-8628)	2	BNC	5012-8628	2
28	16034-00222 (16034-00242)	1	BOTTOM COVER	16034-60005	1
29	2950-0043	4	NUT	2950-0043	4
30	2190-0016	4	WASHER	2190-0016	4
31	16034-00601	1	SHIELD PLATE	16034-00601	1
32	16047-40000	1	STOPPER	<i>Not used</i>	-
33	2190-0206	1	WASHER	<i>Not used</i>	-
34	2200-0105	1	SCREW	<i>Not used</i>	-
35	16034-68021	2	J.W.L	16034-61601	2
36	16047-00617	2	PLATE	16034-60005	1

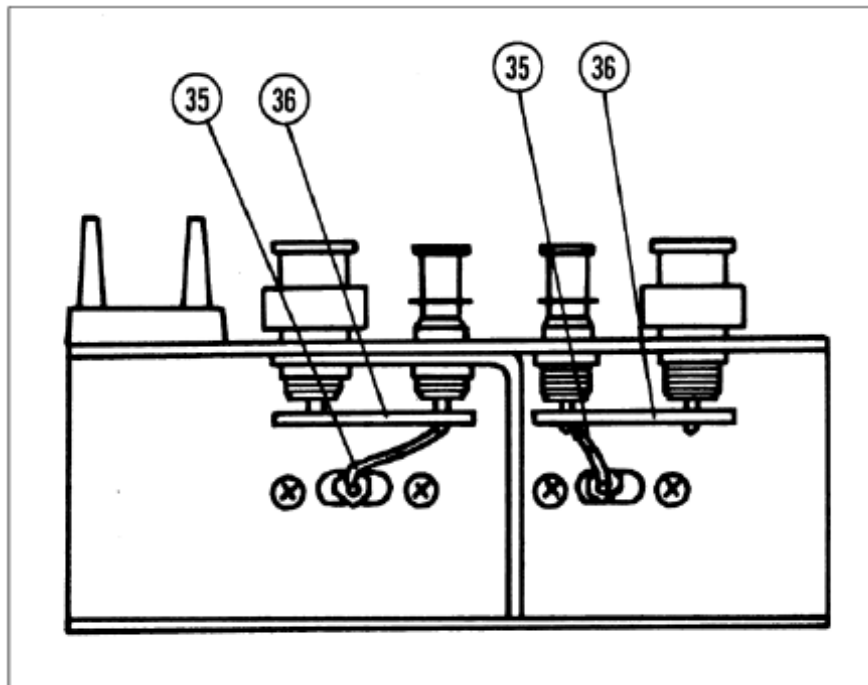


Figure 1- 2

Situation 2:

For RoHS 16034E SMD Test Fixture for Axial and Radial Lead Components (S/N: MY442xxxxx/SG442xxxxx and above).

Solution/Action:

Shown are the support parts for RoHS compliance 16034E SMD Test Fixture for Axial and Radial Lead Components. All the listed items are changed at RoHS conversion. Due to limited availability of RoHS compliance station and technical difficulties in RoHS soldering, only parts and support level that do not require RoHS soldering are supported. Shown are the supported RoHS compliance parts for RoHS 16034E SMD Test Fixture for Axial and Radial Lead Components

Shown in Table 2- 1 and Figure 2-1 are the respective support parts for RoHS compliance 16034E unit. Parts shown in Table 2- 1 are replaceable parts for RoHS unit.

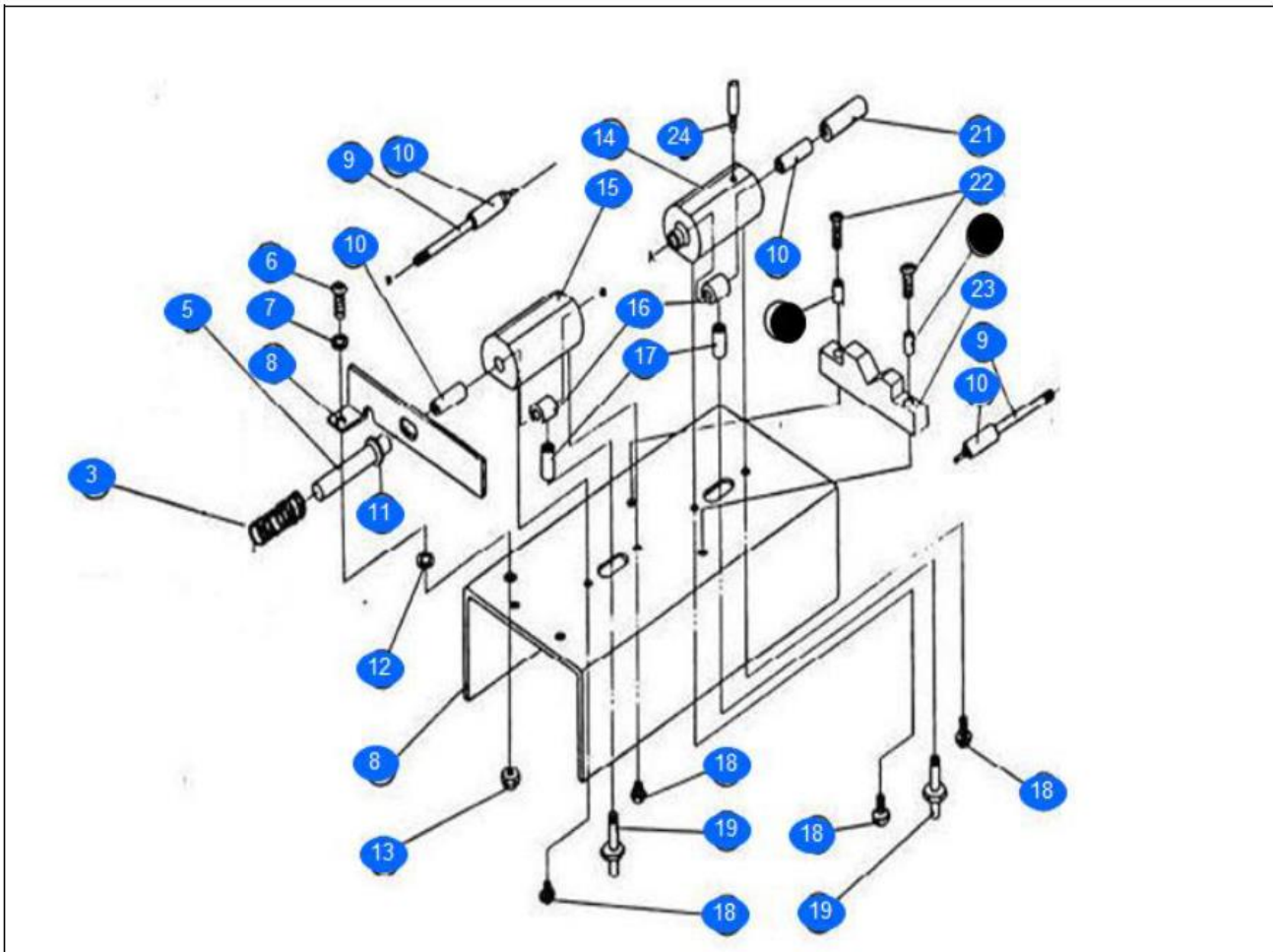


Figure 2- 1

Table 2- 1

Ref/D	Part Number	Qty.	Description
3	1460-0323	1	SPRING
24	16034-23023	2	SCREW KNOB
25	0515-1227	2	SCREW

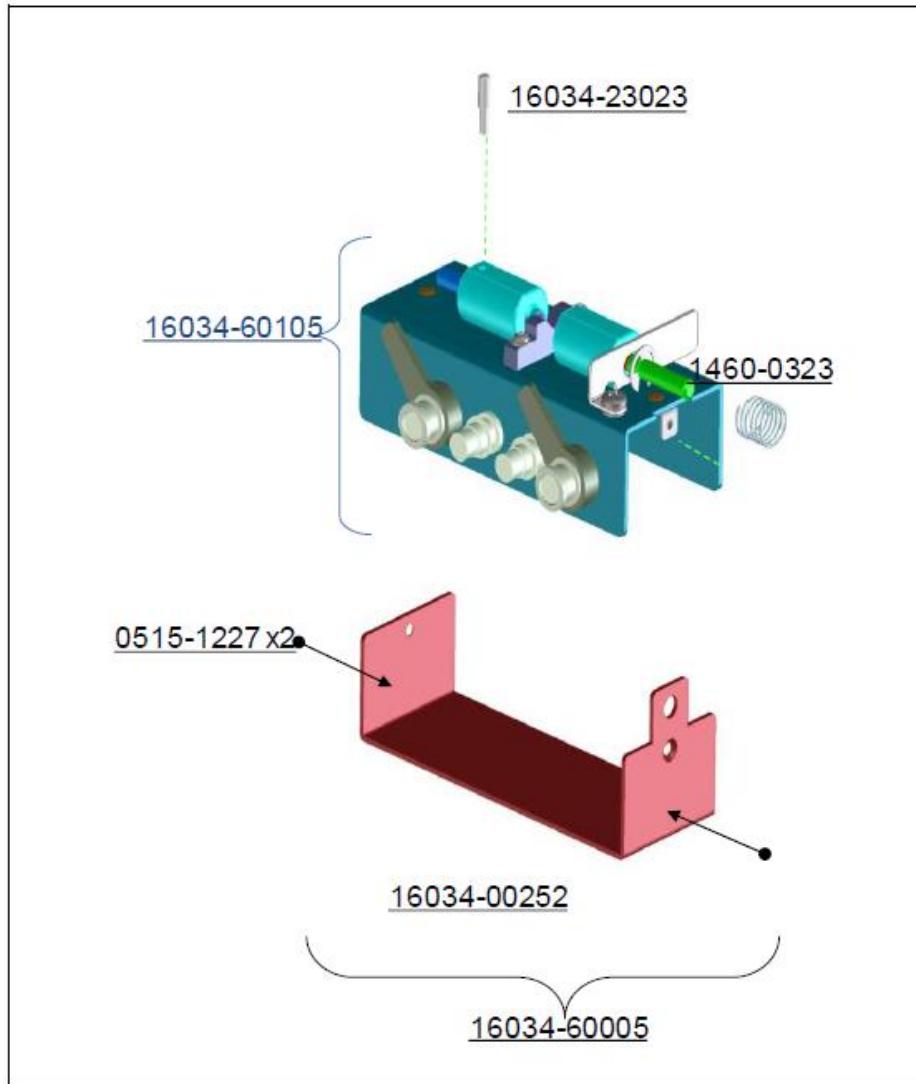


Figure 2- 2

Revision History:

Date	Service Note Revision	Author	Reason for Change
08 Aug 2012	01	LS	As Published
2 Apr 2018	01A	BS	Corrected part number description