

16047A-01A

S E R V I C E N O T E

Supersedes:
None

16047A Test Fixture for Axial and Radial Leaded Components

Serial Numbers: Non-RoHS Fixture “MY44100001 – MY44199999”

OR

RoHS Fixture “MY44200001 – MY44299999”

This service note provides the updated part numbers and figures for both RoHS and non-RoHS 16047A Test Fixture for Axial and Radial Leaded Components.

Parts Required:

Parts required depends on whether RoHS or non-RoHS 16047A is serviced.

Non- RoHS unit – Refer to [Situation 1](#)

RoHS unit – Refer to [Situation 2](#)

ADMINISTRATIVE INFORMATION

| | |
|---|------------------|
| SERVICE NOTE CLASSIFICATION: | |
| INFORMATION ONLY | |
| <input type="checkbox"/> Calibration Required | PRODUCT LINE: WN |
| <input checked="" type="checkbox"/> Calibration NOT Required | AUTHOR: LS |
| ADDITIONAL INFORMATION: Support part information for non-RoHS and RoHS 16047A Test Fixture for Axial and Radial Lead Components | |

© AGILENT TECHNOLOGIES, INC. 2012

PRINTED IN U.S.A.

August 8, 2012

Rev. 20



Agilent Technologies

Situation 1:

For non-RoHS 16047A Test Fixture for Axial and Radial Lead Components (S/N: MY441xxxxx and below).

Solution/Action:

Shown are the supported parts and their respective RoHS compliant replacement support part. RoHS conversion involves with design and dimension change which result in the RoHS support part backward incompatible with non-RoHS 16047A. Special handling is needed while using the RoHS replacement part on non-RoHS 16047A. The original support part number is replaced by the respective “RoHS Compliant Replacement Part”. Once the original support part is depleted, please proceed to obtain the RoHS compliant support part. Please refer to table 1.1 for the respective replacement part accordingly.

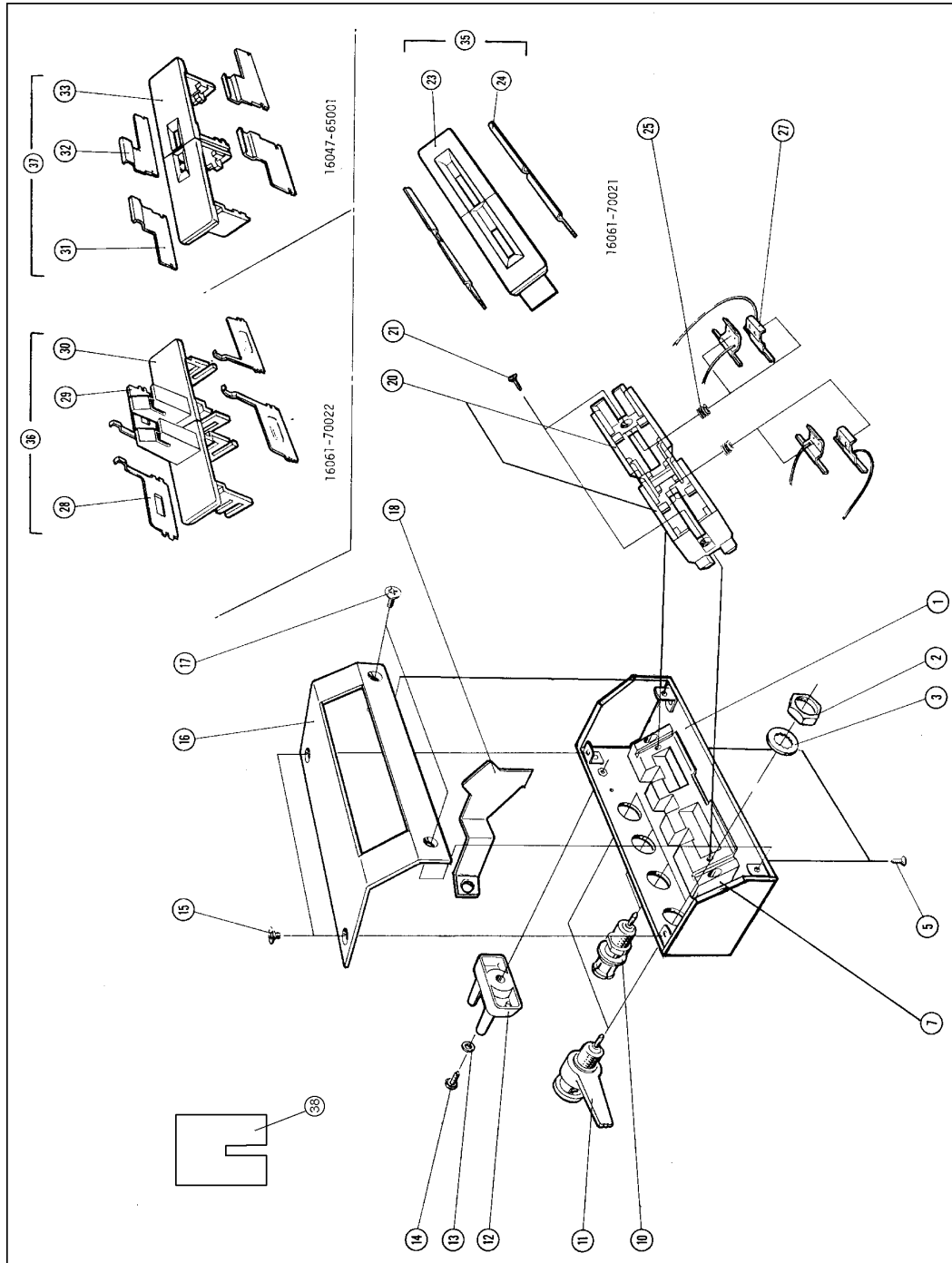


Figure 1-1

NOTE: For RoHS Compliant Upper Level Assembly Replacement Part, if multiple parts are replaced by a common higher assembly part, only order ONE part of the higher level common assembly.

Shown in table 1-1 are the original support part and its compatible RoHS replacement part/assembly.

Table 1-1:

| Ref/D | Part Number | Qty. | Description | RoHS Compliant Replacement Part | Qty. |
|-------|-------------|------|--------------------------------|---------------------------------|------|
| 1 | 16047-04013 | 1 | COVER-BOTTOM | 16047-04043 | 1 |
| 2 | 2950-0043 | 4 | NUT | 2950-0043 | 4 |
| 3 | 2190-0016 | 4 | WASHER | 2190-0016 | 4 |
| 5 | 0515-1467 | 2 | SCREW | 0515-1467 | 2 |
| 7 | 16061-50022 | 1 | BASE | 16061-50022 | 1 |
| 10 | 16047-60016 | 2 | CONNECTOR-BNC | 5012-8628 | 2 |
| 11 | 16012-7122 | 2 | CONNECTOR-BNC | 5012-8617 | 2 |
| 12 | 16047-40000 | 1 | STOPPER | <i>Not used</i> | - |
| 13 | 2190-0206 | 1 | WASHER | <i>Not used</i> | - |
| 14 | 0515-1550 | 1 | SCREW | <i>Not used</i> | - |
| 15 | 0515-0914 | 2 | SCREW | 0515-1227 | 2 |
| 16 | 16047-04011 | 1 | COVER-TOP | 16047-04041 | 1 |
| 17 | 0515-0914 | 2 | SCREW | 0515-1227 | 2 |
| 18 | 16047-00618 | 1 | SHIELD PLATE | 16047-00618 | 1 |
| 20 | 16061-50024 | 2 | SOCKET | 16061-50024 | 2 |
| 21 | 0515-1467 | 2 | SCREW | 0515-1467 | 2 |
| 23 | 16061-50031 | 2 | SOCKET-RADIAL | 16061-50031 | 2 |
| 24 | 16061-10031 | 4 | CONTACT-RADIAL | 16061-10031 | 4 |
| 25 | 1460-0343 | 4 | SPRING | 1460-0343 | 4 |
| 27 | 16061-10026 | 4 | CONTACT | 16061-10026 | 4 |
| 28 | 16061-10033 | 2 | CONTACT-AXIAL | 16061-10033 | 2 |
| 29 | 16061-10032 | 2 | CONTACT-AXIAL | 16061-10032 | 2 |
| 30 | 16061-50032 | 2 | SOCKET-AXIAL | 16061-50032 | 2 |
| 31 | 16047-00604 | 2 | CONTACT | 16047-00604 | 2 |
| 34 | 16047-00605 | 2 | CONTACT | 16047-00605 | 2 |
| 33 | 16047-40001 | 2 | SOCKET | 16047-40001 | 2 |
| 35 | 16061-70021 | 2 | SOCKET ASSEMBLY (23 and 24) | 16061-70021 | 2 |
| 36 | 16061-70022 | 2 | SOCKET ASSEMBLY (28,29 and 30) | 16061-70022 | 2 |
| 37 | 16047-65001 | 2 | SOCKET ASSEMBLY (31,32 and 33) | 16047-65001 | 2 |
| 38 | 5000-4226 | 1 | Short Bar ¹ | 16047-00640 | 1 |

¹ This short bar is not included in 16047A. It is prepared as option of 16047A. Option number is 16047A-701

Situation 2:

For RoHS 16047A Test Fixture for Axial and Radial Lead Components (S/N: MY442xxxxx and above).

Solution/Action:

Shown are the support parts for RoHS compliance 16047A Test Fixture for Axial and Radial Lead Components. All the listed items are changed at RoHS conversion. Due to limited availability of RoHS compliance station and technical difficulties in RoHS soldering, only parts and support level that do not require RoHS soldering are supported. Shown are the supported RoHS compliance parts for RoHS 16047A Test Fixture for Axial and Radial Lead Components

Shown in table 2-1 and figure 2-1 are the respective support parts for RoHS compliance 16047A unit.

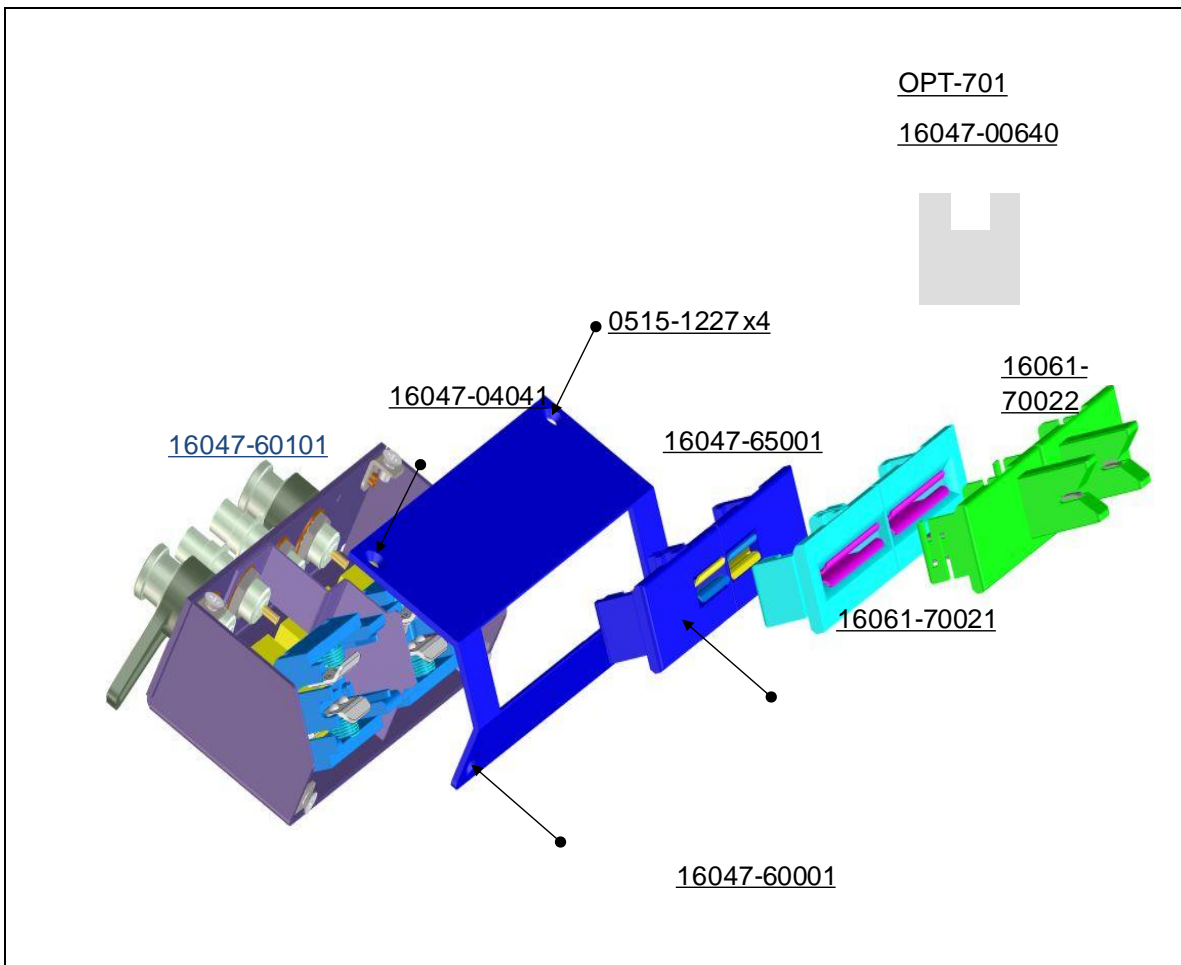


Figure 2-1

Table 2-1

| Ref/D | Part Number | Qty. | Description |
|--------------|--------------------|-------------|--------------------------------|
| 15 | 0515-1227 | 2 | SCREW |
| 16 | 16047-04041 | 1 | COVER-TOP |
| 17 | 0515-1227 | 2 | SCREW |
| 35 | 16061-70021 | 2 | SOCKET ASSEMBLY (23 and 24) |
| 36 | 16061-70022 | 2 | SOCKET ASSEMBLY (28,29 and 30) |
| 37 | 16047-65001 | 2 | SOCKET ASSEMBLY (31,32 and 33) |
| 38 | 16047-00640 | 1 | Short Bar |