

16047E-01B

# Information Only Service Note

Supersedes:  
16047E-01A

## 16047E Test Fixture for Axial Lead Components

Serial Numbers: ALL  
Manufacturing ID Number: N/A

This service note provides the updated part numbers and figures for both RoHS and non-RoHS 16047E Test Fixture for Axial Lead Components.

### Parts Required:

P/N	Description	Qty.
-----	-------------	------

Parts required depends on whether RoHS or non-RoHS 16047E is serviced.

Non-RoHS unit – Refer to [Situation 1](#)

RoHS unit – Refer to [Situation 2](#)

---

### ADMINISTRATIVE INFORMATION

Calibration Required  
 Calibration NOT Required

PRODUCT LINE: WN  
AUTHOR: LS

---

### ADDITIONAL INFORMATION:

Support part information for non-RoHS and RoHS 16047E Test Fixture for Axial Lead Components  
Non-RoHS Fixture "MY43100001 – MY43199999" / "SG43100001 – SG43199999" OR RoHS Fixture "MY43200001/SG43200001 and above"

---

**Serial Number:**

Non-RoHS Fixture “MY43100001 – MY43199999” or “SG43100001 – SG43199999”

RoHS Fixture “MY43200001 and above” or “SG43200001 and above”

**Situation 1:**

For non-RoHS 16047E Test Fixture for Axial Lead Components (S/N: MY431xxxx and below).

**Solution/Action:**

Shown are the supported parts and their respective RoHS compliant replacement support part. RoHS conversion involves with design and dimension change which result in the RoHS support part backward incompatible with non-RoHS 16092A. Special handling is needed while using the RoHS replacement part on non-RoHS 16092A. The original support part number is replaced by the respective “RoHS Compliant Replacement Part”. Once the original support part is depleted, please proceed to obtain the RoHS compliant support part. Please refer to Figure 1-1 and Table 1- 1 for the respective replacement part accordingly.

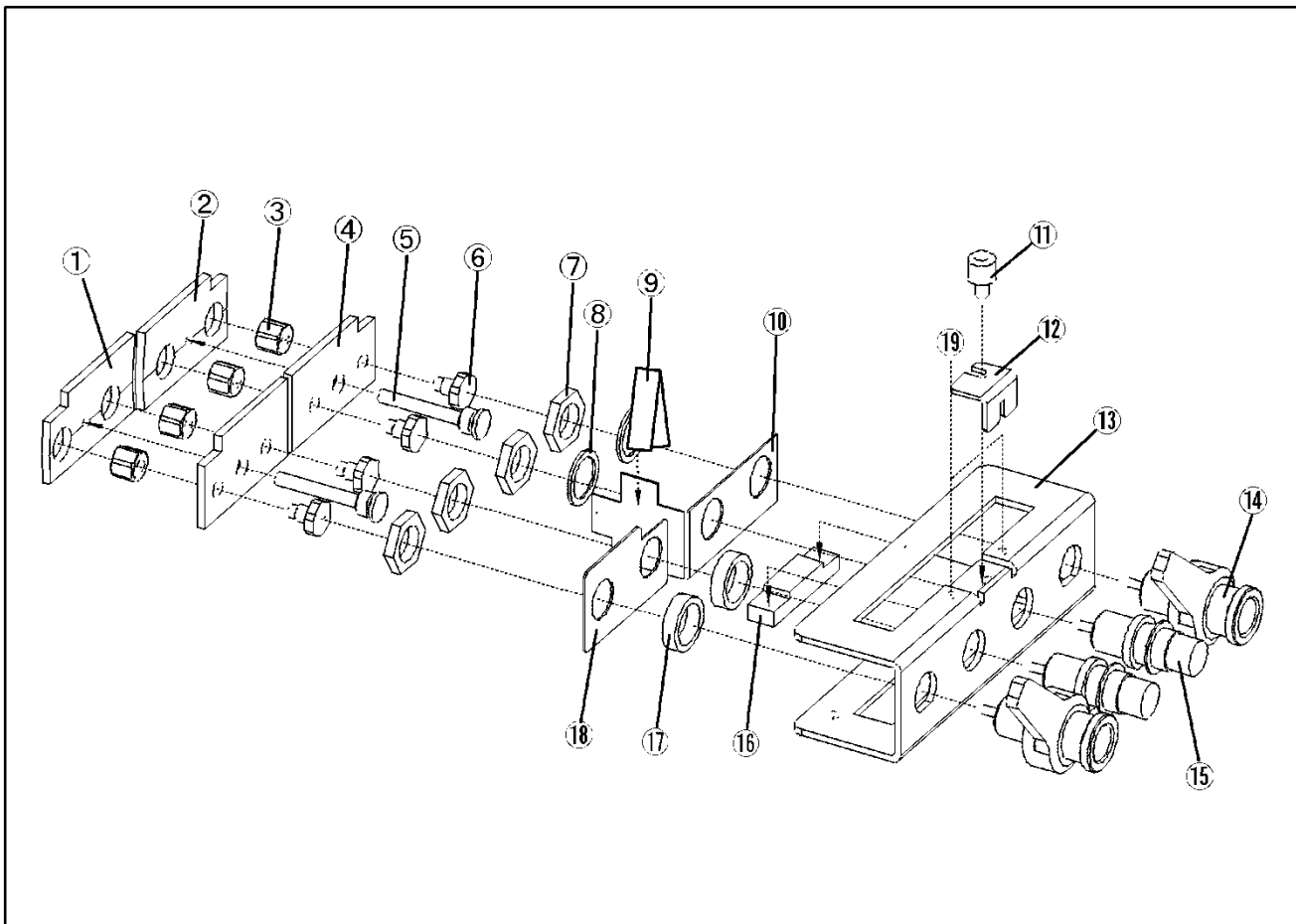


Figure 1-1

**NOTE:** For RoHS Compliant Upper Level Assembly Replacement Part, if multiple parts are replaced by a common higher assembly part, only order ONE part of the higher level common assembly.

Shown in Table 1- 1 are the original support part and its compatible RoHS replacement part/assembly.

Table 1- 1

Ref /D	Part Number	Description	Qty.	RoHS Compliant Replacement Part	Description	Qty.
1	16047-00623	PLATE-H	1	16047-60105	Fixture Unit for 16047E	1
2	16047-00624	PLATE-L	1	16047-60105	Fixture Unit for 16047E	1
3	16047-24024	NUT	4	16047-60105	Fixture Unit for 16047E	1
4	16047-00622	PLATE	2	16047-60105	Fixture Unit for 16047E	1
5	16047-23041	SHAFT	2	16047-60105	Fixture Unit for 16047E	1
6	16380-24001	TERMINAL	4	16047-60105	Fixture Unit for 16047E	1
7	2950-0043	NUT	4	16047-60105	Fixture Unit for 16047E	1
8	2190-0016	WASHER	2	16047-60105	Fixture Unit for 16047E	1
9	16047-09001	INSULATOR	1	16047-60105	Fixture Unit for 16047E	1
10	16047-00625	SHIELD	1	16047-60105	Fixture Unit for 16047E	1
11	16047-24022	SCREW	1	16047-24022	SCREW	1
12	16047-00621	SHORT BAR	1	16047-00621	SHORT BAR	1
13	16047-04021	COVER	1	16047-60105	Fixture Unit for 16047E	1
14	5012-8617	BNC LEVER ASSEMBLY	2	16047-60105	Fixture Unit for 16047E	1
15	5012-8628	CONNECTOR-BNC	2	16047-60105	Fixture Unit for 16047E	1
16	16047-00626	CONTACT	1	16047-60105	Fixture Unit for 16047E	1
17	16047-24023	SLEEVE	2	16047-60105	Fixture Unit for 16047E	1
18	<i>16047-00627 (Removed)</i>	<i>PLATE</i>	<i>1</i>	16047-60105	Fixture Unit for 16047E	1
19	0515-1375	SCREW	2	16047-60105	Fixture Unit for 16047E	1

Figure 1-2 showed the detailed exploded view of the accessories.  
Respective parts are listed in

Table 1- 2.

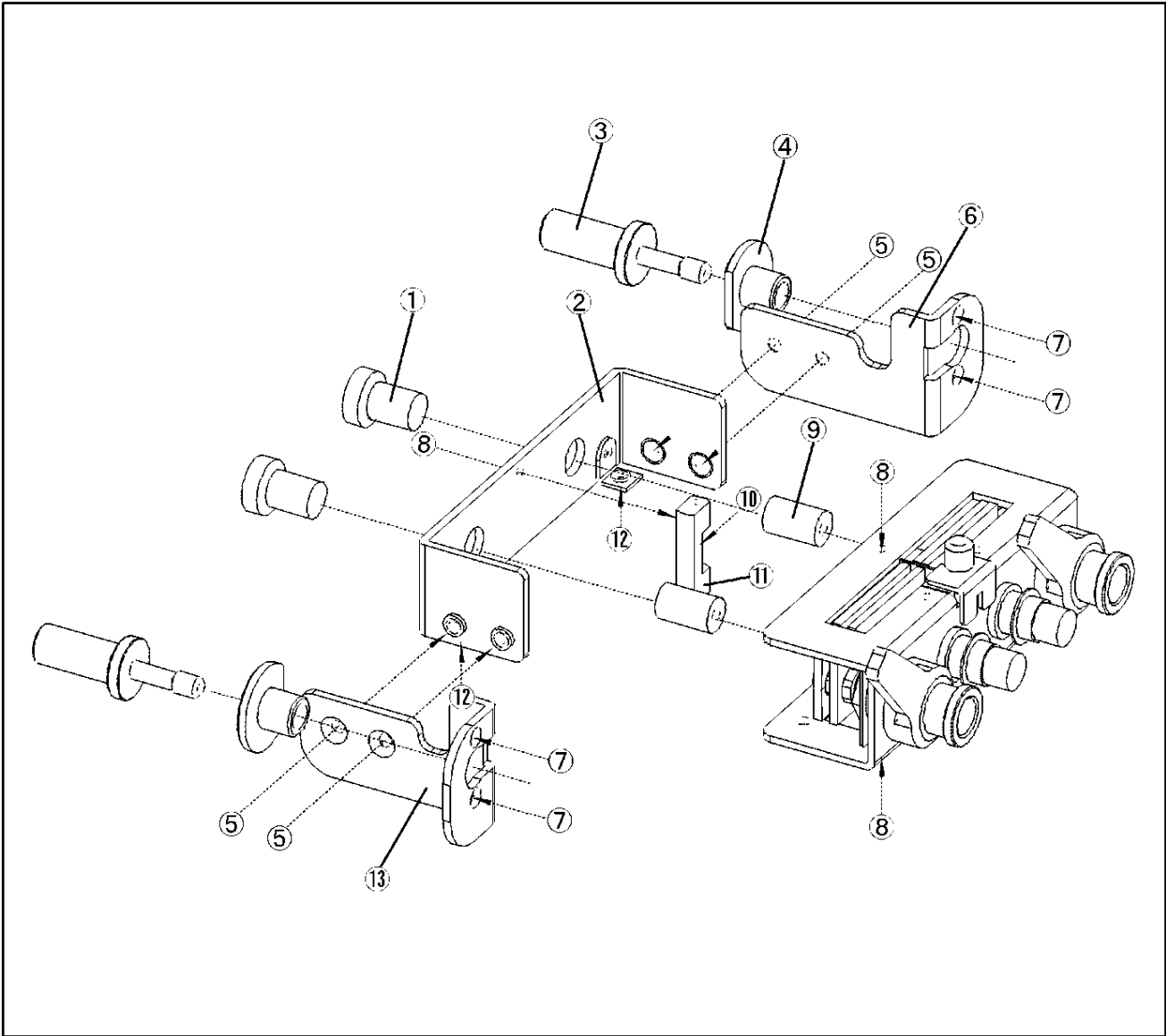


Figure 1-2

Table 1- 2

Ref /D	Part Number	Description	Qty.	RoHS Compliant Replacement Part	Description	Qty.
1	0370-2446	KNOB	2	5012-9057	KNOB	2
2	16047-04022	COVER	1	16047-04022	COVER	1
3	16047-24021	KNOB	2	16047-24021	KNOB	2
4	16047-24026	FLANGE	2	16047-24026	FLANGE	2
5	0515-1227	SCREW	4	0515-1227	SCREW	4
6	16047-01222	ANGLE	1	16047-01222	ANGLE	1
7	0515-2151	SCREW	4	0515-2151	SCREW	4
8	0515-1375	SCREW	3	0515-1375	SCREW	3
9	16047-25021	INSULATER	2	16047-25021	INSULATER	2
10	0515-4293	SCREW	1	16047-60105	Fixture Unit for 16047E	1
11	16047-24025	SLEEVE	1	16047-60105	Fixture Unit for 16047E	1
12	0515-1227	SCREW	2	0515-1227	SCREW	2
13	16047-01221	ANGLE	1	16047-01221	ANGLE	1

**Situation 2:**

For RoHS 16047E Test Fixture for Axial Lead Components (S/N: MY432xxxx and above).

**Solution/Action:**

Shown are the support parts for RoHS compliance 16047E Test Fixture for Axial Lead Components. All the listed items are changed at RoHS conversion. Due to limited availability of RoHS compliance station and technical difficulties in RoHS soldering, only parts and support level that do not require RoHS soldering are supported. Shown are the supported RoHS compliance parts for RoHS 16047E Test Fixture for Axial Lead Components.

Shown in

Table 2- 1 and Figure 2- 1 are the respective support parts for RoHS compliance 16047E unit.

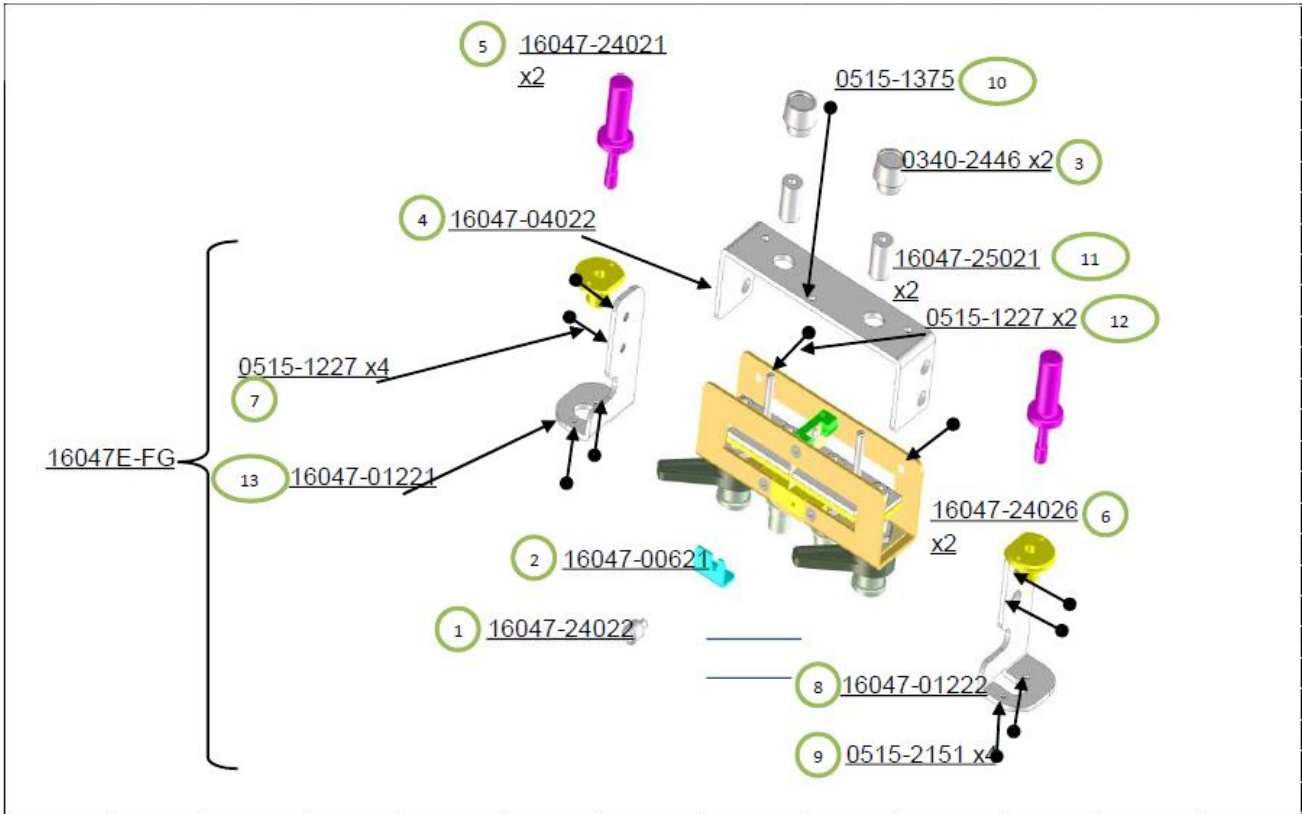


Figure 2- 1



Table 2- 1

Ref /D	Part Number	Qty.	Description
1	16047-24022	1	MACHINED PART, SCREW
2	16047-00621	1	SHEET METAL, SHORTBAR
3	5012-9057	2	KNOB
4	16047-04022	1	SHEET METAL, COVER
5	16047-24021	2	MACHINED PART, KNOB
6	16047-24026	2	MACHINED PART, FLANGE
7	0515-1227	4	SCREW-MACHINE 90-DEG-FLT-HD TORX-T10 M3X0.5 6MM-LG SST-300 PASSIVATED
8	16047-01222	1	SHEET METAL, ANGLE (LEFT SIDE)
9	0515-2151	4	SCREW-MACHINE 90-DEG-FLT-HD TORX-T6 M2X0.4 4MM-LG SST-300 PASSIVATED
10	0515-1375	1	SCREW-MACHINE 90-DEG-FLT-HD TORX-T8 M2.5X0.45 6MM-LG SST-300 PASSIVATED
11	16047-25021	2	INSULATER
12	0515-1227	2	SCREW-MACHINE 90-DEG-FLT-HD TORX-T10 M3X0.5 6MM-LG SST-300 PASSIVATED
13	16047-01221	1	SHEET METAL, ANGLE (RIGHT SIDE)
	16047-60105	1	Fixture Unit for 16047E

**Revision History:**

Date	Service Note Revision	Author	Reason for Change
03 Aug 2012	16047E-02	LS	As Published
17 Dec 2014	16047E-02A	JM	Revised Table 1-1 on RoHS Compliant Replacement PN.
25 Jul 2018	16047E-02B	BS	Update new Knob part number from 0370-2446 to 5012-9057