

16048A-01

S E R V I C E N O T E

Supersedes:
None

16048A Test Lead (BNC Connector, with BNC Connector Board)

Serial Numbers:

Non-RoHS Fixture “MY44100001 – MY44199999”

OR

RoHS Fixture “MY44200001 – MY44299999”

This service note provides the updated part numbers and figures for both RoHS and non-RoHS 16048A Test Lead (BNC Connector, with BNC Connector Board)

Parts Required:

Parts required depends on whether RoHS or non-RoHS 16048A is serviced.

Non- RoHS unit – Refer to [Situation 1](#)

RoHS unit – Refer to [Situation 2](#)

ADMINISTRATIVE INFORMATION

SERVICE NOTE CLASSIFICATION:	
INFORMATION ONLY	
<input type="checkbox"/> Calibration Required	PRODUCT LINE: WN
<input checked="" type="checkbox"/> Calibration NOT Required	AUTHOR: LS
ADDITIONAL INFORMATION: Support part information for non-RoHS and RoHS16048A Test Lead (BNC Connector, with BNC Connector Board)	

© AGILENT TECHNOLOGIES, INC. 2013

PRINTED IN U.S.A.

January 8, 2013

Rev. 20



Agilent Technologies

Situation 1:

**For non-RoHS 16048A Test Lead (BNC Connector, with BNC Connector Board)
(S/N: MY441xxxx and below).**

Solution/Action:

Shown are the supported parts and their respective RoHS compliant replacement support part. RoHS conversion involves with design and dimension change which result in the RoHS support part backward incompatible with non-RoHS 16048A. Special handling is needed while using the RoHS replacement part on non-RoHS 16048A. The original support part number is replaced by the respective “RoHS Compliant Replacement Part”. Once the original support part is depleted, please proceed to obtain the RoHS compliant support part. Please refer to figure and table 1-1 for the respective replacement part accordingly.

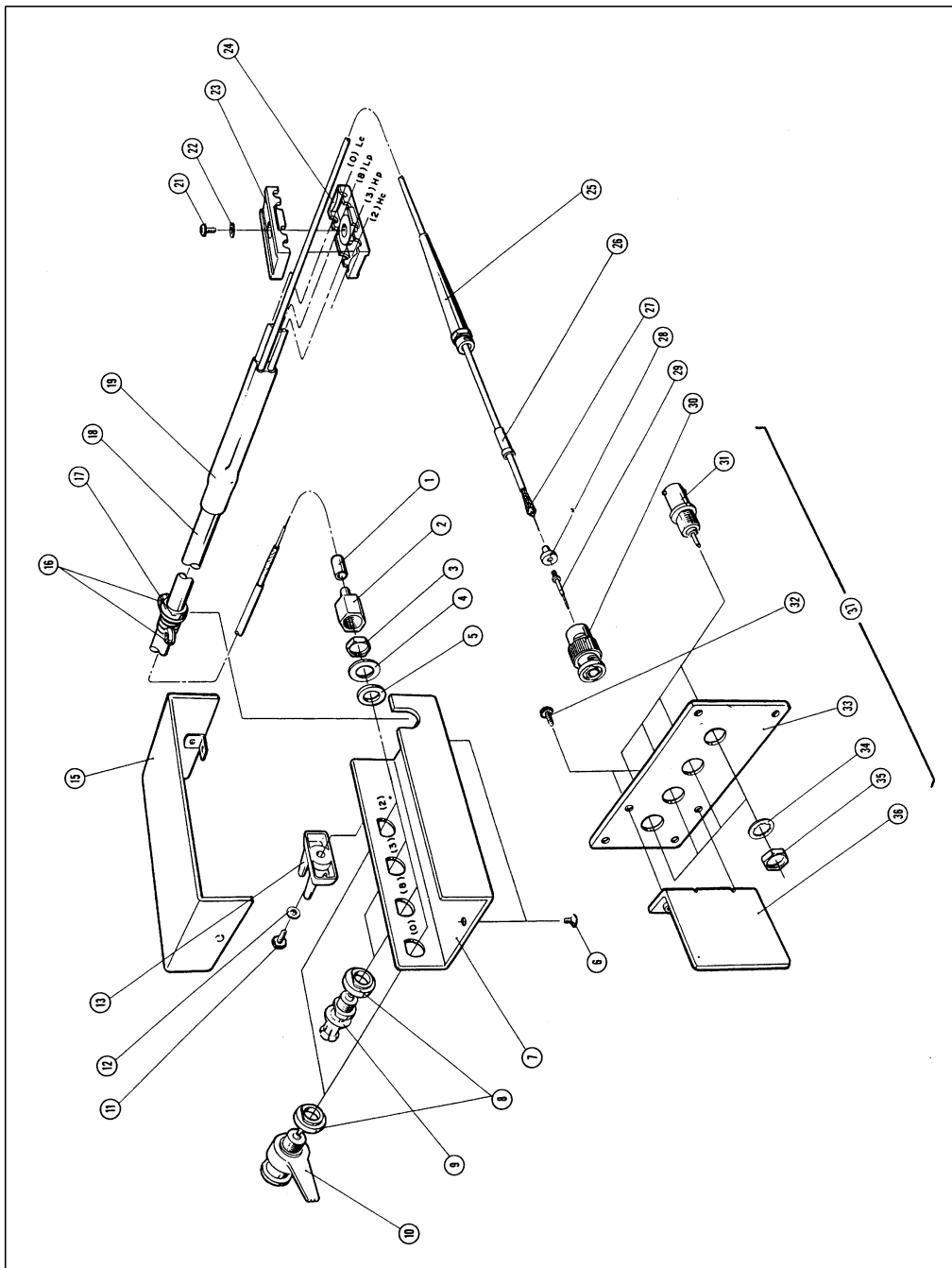


Figure 1-1

NOTE: For RoHS Compliant Upper Level Assembly Replacement Part, if multiple parts are replaced by a common higher assembly part, only order ONE part of the higher level common assembly.

Shown in table 1-1 are the original support part and its compatible RoHS replacement part/assembly.

Table 1-1:

Ref/D	Part Number	Description	Qty	RoHS Compliant Replacement Part	Description	Qty.
1	*	SLEEVE	4	*	-	4
2	*	NUT	4	*	-	4
3	*	NUT	4	*	-	4
4	*	WASHER	4	*	-	4
5	*	WASHER	4	*	-	4
6	2360-0192	SCREW	2	16048-60610	TEST LEAD	2
7	*	COVER-BOTTOM	1	*	-	1
8	*	INSULATOR	4	*	-	4
9	*	CONNECTOR-BNC	2	*	-	2
10	*	CONNECTOR-BNC	2	*	-	2
11	2200-0103	SCREW	1	*	-	1
12	2190-0206	WASHER	1	*	-	1
13	16047-40000	STOPPER	1	*	-	1
15	16048-04000	COVER-TOP	1	16048-60610	TEST LEAD	1
16	1400-0719 (1400-3284)	Cable TIE	2	1400-3284	Cable TIE	2
17	*	GROMMET	1	*	-	1
18	*	CABLE	1	*	-	1
19	*	BUSHING	1	*	-	1
21	2360-0115	SCREW	1	16048-60610	TEST LEAD	1
22	3050-0010	WASHER	1	16048-60610	TEST LEAD	1
23	16021-50021	CABLE CRAMP	1	16048-60610	TEST LEAD	1
24	16021-50022	CABLE CRAMP	1	16048-60610	TEST LEAD	1
25	*	BOOT-BNC	4	*	-	4
26	*	SLEEVE	4	*	-	4
27	*	SLEEVE	4	*	-	4
28	*	INSULATOR	4	*	-	4
29	1250-0089	CONTACT	4	1250-0089	CONTACT	4
30	1250-0052	CONNECTOR-BNC	4	1250-0052	CONNECTOR-BNC	4
	16048-60010	TEST LEAD (1thru30)	1	16048-60610	TEST LEAD	1
31	1250-0118	CONNECTOR-BNC FEMALE	4	1250-0118	CONNECTOR-BNC FEMALE	4
32	2360-0115	SCREW	2	<*1>Set change : 0515-0372	SCREW	2

33	16032-10021	PLATE	1	<*1>Set change : 16032-10621	PLATE	1
34	2190-0016	WASHER	4	2190-0016	WASHER	4
35	2950-0001	NUT	4	2950-0001	NUT	4
36	16032-10022	PLATE	1	<*1>Set change : 16032-10622	PLATE	1
37	16032-60001	BNC BRACKET(31thru36)	1	16032-60071	CONNECTOR ASSEMBLY	1

Remarks:

<*1> Replace all the associated parts marked with <*1> as they are mutually dependent.

Situation 2:
For RoHS 16048A Test Lead (BNC Connector, with BNC Connector Board)
(S/N: MY442xxxxx and above).

Solution/Action:

Shown are the support parts for RoHS compliance 16048A Test Lead (BNC Connector, with BNC Connector Board). All the listed items are changed at RoHS conversion. Due to limited availability of RoHS compliance station and technical difficulties in RoHS soldering, only parts and support level that do not require RoHS soldering are supported. Shown are the supported RoHS compliance parts for RoHS 16048A Test Lead (BNC Connector, with BNC Connector Board)

Shown in table 2-1 and figure 2-1 are the respective support parts for RoHS compliance 16048A unit.

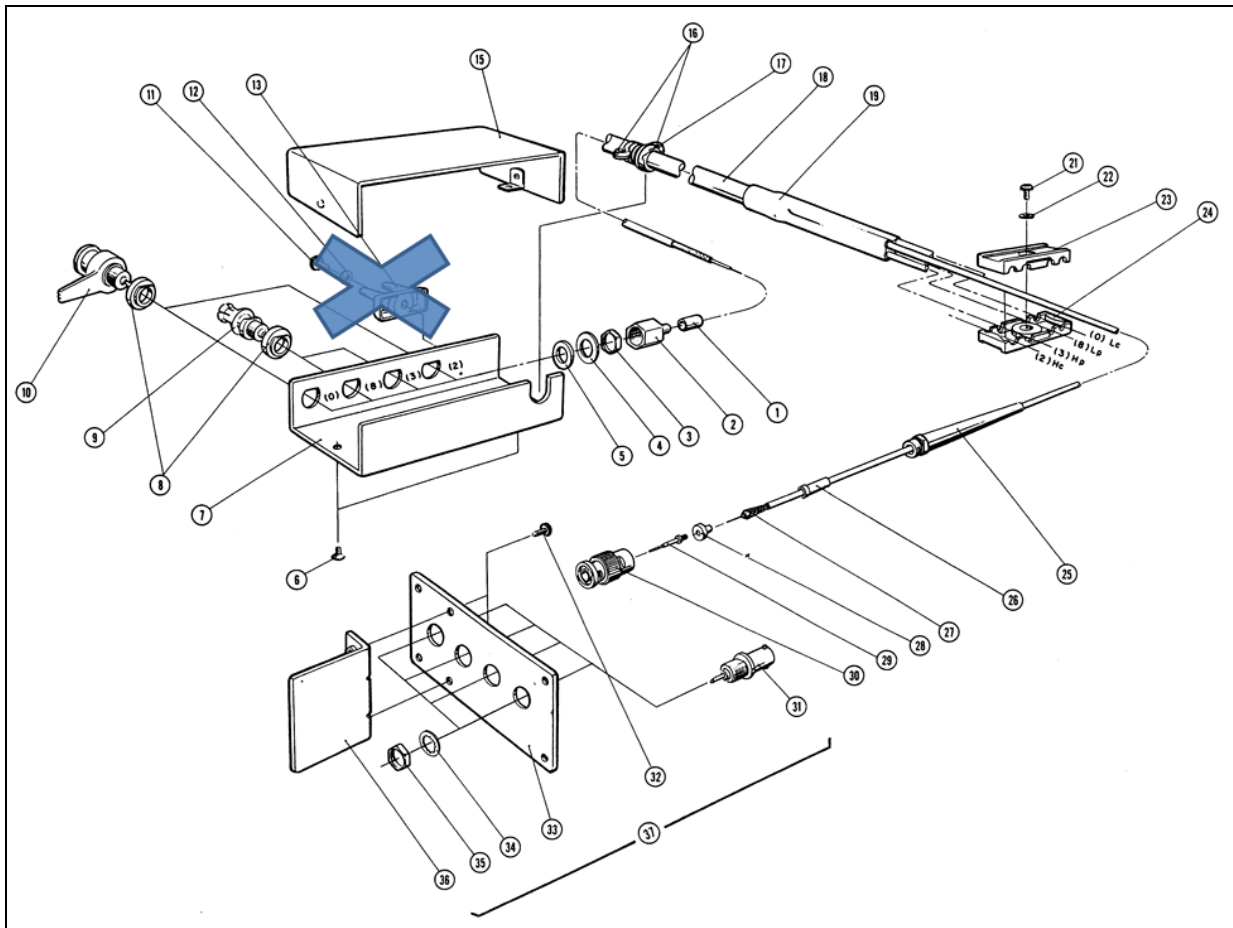


Figure 2-1

Table 2-1

Ref/D	Description	RoHS Compliant Replacement Part	Qty.
1	SLEEVE	*	4
2	NUT	*	4
3	NUT	*	4
4	WASHER	*	4
5	WASHER	*	4
6	SCREW	0515-1946	2
7	COVER BOTTOM	*	1
8	INSULATOR	*	4
9	CONNECTOR-BNC	*	2
10	CONNCTOR-BNC	*	2
15	COVER TOP	16048-04600	1
17	GROMMET	*	1
18	CABLE	*	1
19	BUSHING	*	1
25	BOOT-BNC	*	4
26	SLEEVE	*	4
27	SLEEVE	*	4
28	INSULATOR	*	4
30	CONNECTOR-BNC	1250-0052	4
	TEST LEAD (1thru30)	16048-60610	1
31	CONNECTOR-BNC FEMALE	1250-0118	4
32	SCREW	0515-0372	2
33	PLATE	16032-10621	1
34	WASHER	2190-0016	4
35	NUT	2950-0001	4
36	PLATE	16032-10622	1
37	BNC BRACKET(31thru36)	16032-60071	1