

**16048D-01**

**S E R V I C E N O T E**

---

Supersedes:  
NONE

**16048D 2m BNC Test Cable**

**Serial Numbers: Non-RoHS Fixture “MY44100001 - MY44199999”**

**OR**

**RoHS Fixture “MY44200001 – MY44299999”**

**This service note provides the updated part numbers and figures for both RoHS and non-RoHS 16048D 2m BNC Test Cable**

**Parts Required:**

Parts required depends on whether RoHS or non-RoHS 16048D is serviced.

**Non- RoHS unit** – Refer to [Situation 1](#)

**RoHS unit** – Refer to [Situation 2](#)

**ADMINISTRATIVE INFORMATION**

SERVICE NOTE CLASSIFICATION:	
<b>INFORMATION ONLY</b>	
<input type="checkbox"/> Calibration Required	PRODUCT LINE: WN
<input checked="" type="checkbox"/> Calibration NOT Required	AUTHOR: LS
ADDITIONAL INFORMATION: Support part information for non-RoHS and RoHS 16048D 2m BNC Test Cable	

© AGILENT TECHNOLOGIES, INC. 2013  
PRINTED IN U.S.A.

April 1, 2013

Rev. 21

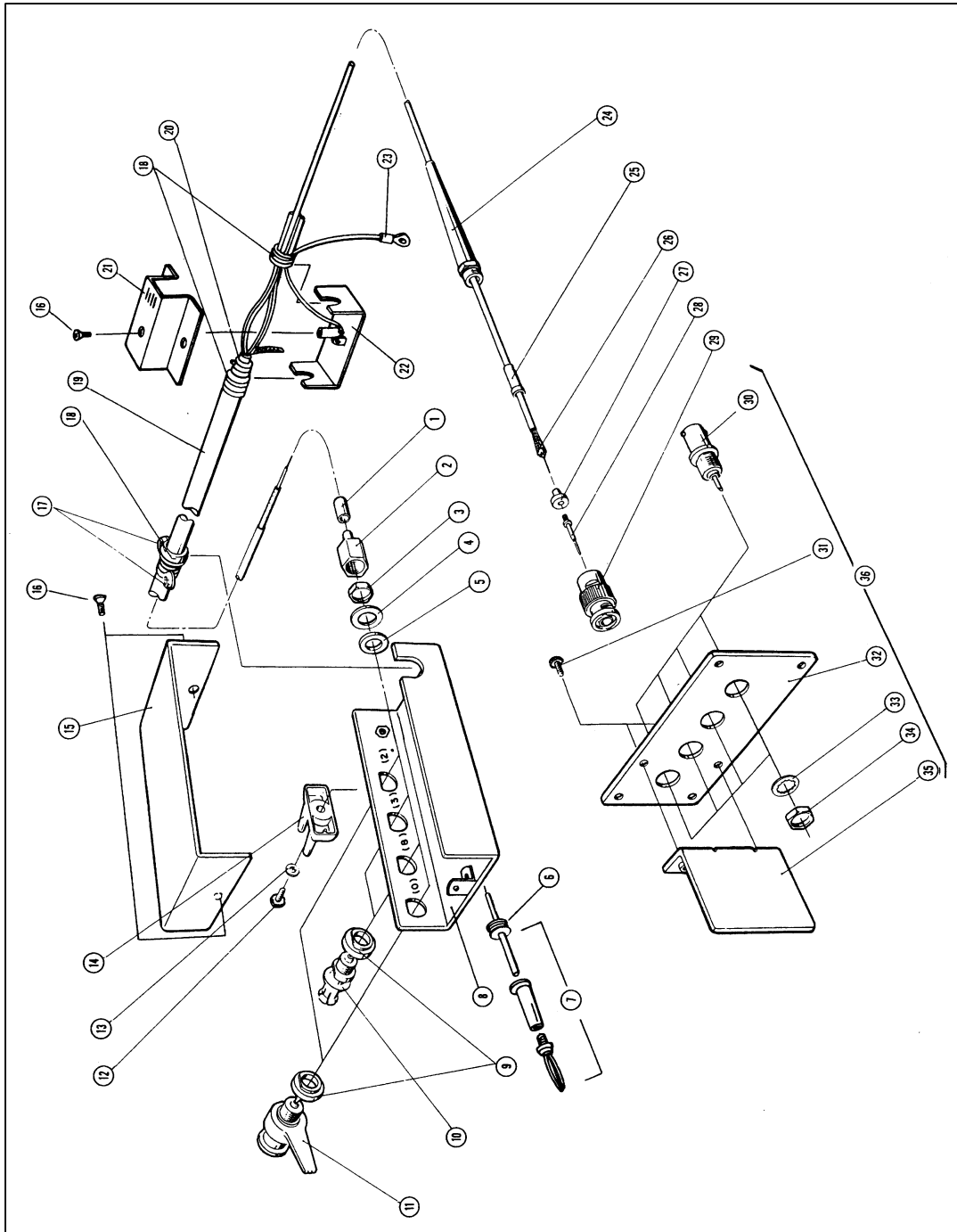


**Situation 1:**

**For non-RoHS 16048D 2m BNC Test Cable (S/N: MY441xxxxx and below).**

**Solution/Action:**

Shown are the supported parts and their respective RoHS compliant replacement support part. RoHS conversion involves with design and dimension change which result in the RoHS support part backward incompatible with non-RoHS 16048D. Special handling is needed while using the RoHS replacement part on non-RoHS 16048D. The original support part number is replaced by the respective "RoHS Compliant Replacement Part". Once the original support part is depleted, please proceed to obtain the RoHS compliant support part. Please refer to table 1-1and figure 1-1 for the respective replacement part accordingly.



**Figure 1-1**

**NOTE: For RoHS Compliant Upper Level Assembly Replacement Part, if multiple parts are replaced by a common higher assembly part, only order ONE part of the higher level common assembly.**

Shown in table 1-1 are the original support part and its compatible RoHS replacement part/assembly.

**Table 1-1:**

Ref/D	Part Number	Description	Qty.	RoHS Compliant Replacement Part	Description	Qty
1	*	SLEEVE-METAL	4	*	Kelvin Clip Leads	4
2	*	NUT	4	*	NUT	4
3	*	NUT-HEX	4	*	NUT-HEX	4
4	*	WASHER-FL MTLC	4	*	WASHER-FL MTLC	4
5	*	WASHER-FL NM	4	*	WASHER-FL NM	4
6	0400-0203	GROMMET-RND	1	0400-0203	GROMMET-RND	1
7	16048-61612	WIRE ASSEMBLY	1	16048-61682	WIRE ASSEMBLY	1
8	*	BOTTOM COVER	1	*	BOTTOM COVER	1
9	*	INSULATOR	4	*	INSULATOR	4
10	*	CONNECTOR-BNC	2	*	CONNECTOR- BNC	2
11	*	BNC-ASSEMBLY	2	*	BNC-ASSEMBLY	2
12	2200-0103	SCREW-MACH 4- 40	1	<i>(RoHS unit doesn't have the stopper)</i>	-	-
13	2190-0206	WASHER-FL MTLC	1	<i>(RoHS unit doesn't have the stopper)</i>	-	-
14	16047-40000	STOPPER	1	<i>(RoHS unit doesn't have the stopper)</i>	-	-
15	16048-04011	TOP COVER	1	16048-60620	TEST LEAD, COAXIAL CABLE	1
16	2360-0192	SCREW-MACH 6- 32	3	16048-60620	TEST LEAD, COAXIAL CABLE	1
17	1400-0719 (1400-3284)	CABLE TIE	2	1400-3284	CABLE TIE	2
18	*	GROMMET-RND	3	*	GROMMET-RND	3
19	*	CABLE SHIELDED	1	*	CABLE SHIELDED	1
20	1400-0493	CABLE TIE	1	1400-0493	CABLE TIE	1
21	16048-04013	TOP COVER	1	16048-60620	TEST LEAD, COAXIAL CABLE	1
22	16048-04014	BOTTOM COVER	1	16048-60620	TEST LEAD, COAXIAL CABLE	1
23	16048-61611	CABLE ASSEMBLY	1	16048-61611	CABLE ASSEMBLY	1
24	*	BNC-BOOT	4	*	BNC-BOOT	4
25	*	SLEEVE	4	*	SLEEVE	4
26	*	SLEEVE-FLEX .081ID	4	*	SLEEVE-FLEX .081ID	4
27	*	INSULATOR	4	*	INSULATOR	4

28	1250-0089	CONTACT RF CONN	4	1250-0089	CONTACT RF	4
29	1250-0052	CONNECTOR-RF BNC	4	1250-0052	CONNECTOR-RF BNC	4
	16048-60020	TEST LEAD (1 thru 29)	1	16048-60620	TEST LEAD, COAXIAL CABLE	1
30	1250-0118	CONNECTOR-RF BNC	4	1250-0118	CONNECTOR-RF BNC	4
31	2360-0115	SCREW-MACH 6- 32	2	<*1>Set change : 0515-0372	SCREW-MACH	2
32	16032-10021	PLATE	1	<*1>Set change : 16032-10621	PLATE	1
33	2190-0016	WASHER-LK INTL T	4	2190-0016	WASHER-LK INTL T	4
34	2950-0001	NUT-HEX	4	2950-0001	NUT-HEX	4
35	16032-10022	PLATE SHIELD	1	<*1>Set change : 16032-10622	PLATE SHIELD	1
36	16032-60001	BNC BRACKET (30 thru 35)	1	16032-60071	CONNECTOR ASSEMBLY	1

## Remarks:

<\*1> Replace all the associated parts marked with <\*1> as they are mutually dependent.

\*: Parts marked with \* are not separately replaceable.

**Situation 2:**

**For RoHS 16048D 2m BNC Test Cable (S/N: MY442xxxxx and above).**

**Solution/Action:**

Shown are the support parts for RoHS compliance 16048D 2m BNC Test Cable. All the listed items are changed at RoHS conversion. Due to limited availability of RoHS compliance station and technical difficulties in RoHS soldering, only parts and support level that do not require RoHS soldering are supported. Shown are the supported RoHS compliance parts for RoHS 16048D 2m BNC Test Cable.

Shown in table 2-1 and figure 2-1 are the respective support parts for RoHS compliance 16048D unit. Parts shown in table 2-1 are replaceable parts for RoHS unit.

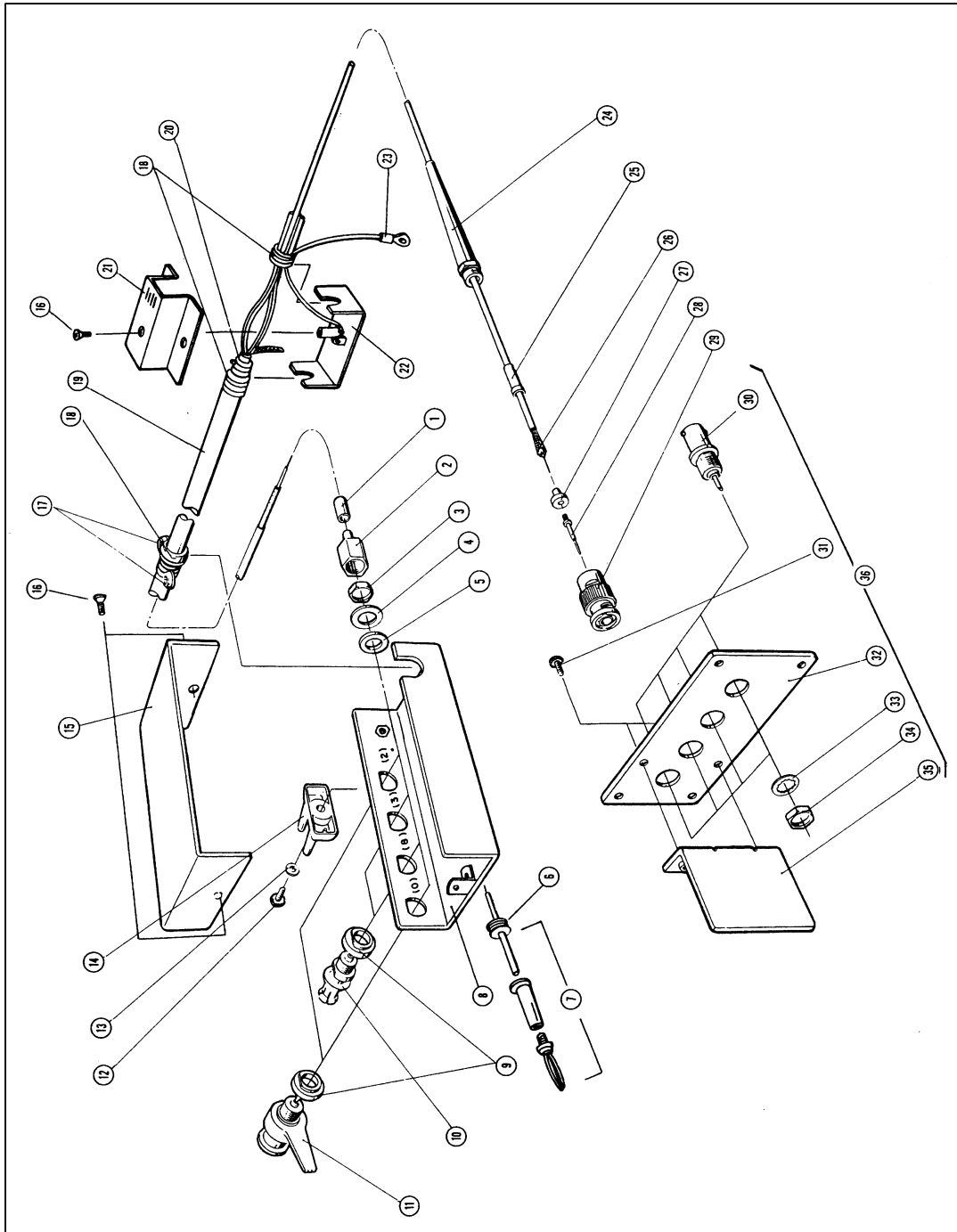


Figure 2-1

Table 2-1:

Ref/D	Part Number	Qty.	Description
15	16048-04611	1	Cover Top
16	0515-1946	3	Screw Mach
21	16048-04613	1	Top Cover
29	1250-0052	4	Body-RF Connector BNC Series For Male
	16048-60620	1	Test lead, coaxial cable
30	1250-0118	4	Connector-RF BNC
31	0515-0372	2	Screw Mach
32	16032-10621	1	Plate
33	2190-0016	4	Washer-Lk Intl T
34	2950-0001	4	Nut-Hex
35	16032-10622	1	Plate Shield
36	16032-60071	1	Connector Assembly

**Revision History:**

Revision Number	Date	Author	Reason For Change
1.0	29 Mar 2013	LS	As published