

# INFORMATION ONLY

## 16048G-01A

# S E R V I C E N O T E

Supersedes:  
16048G-01

## 16048G 1m Port Extension Cable for Impedance Analyzer

### Serial Numbers:

Non-RoHS Fixture “MY43100001 – MY43199999”, “SG43100001 – SG43199999”

Or

RoHS Fixture “MY43200001 – MY43299999”, “SG43200001- SG43299999”

**This service note provides the updated part numbers and figures for both RoHS and non-RoHS 16048G 1m Port Extension Cable for Impedance Analyzer**

### Parts Required:

Parts required depends on whether RoHS or non-RoHS 16048G is serviced.

Non-RoHS unit – Refer to [Situation#1](#)

RoHS unit – Refer to [Situation#2](#)

## ADMINISTRATIVE INFORMATION

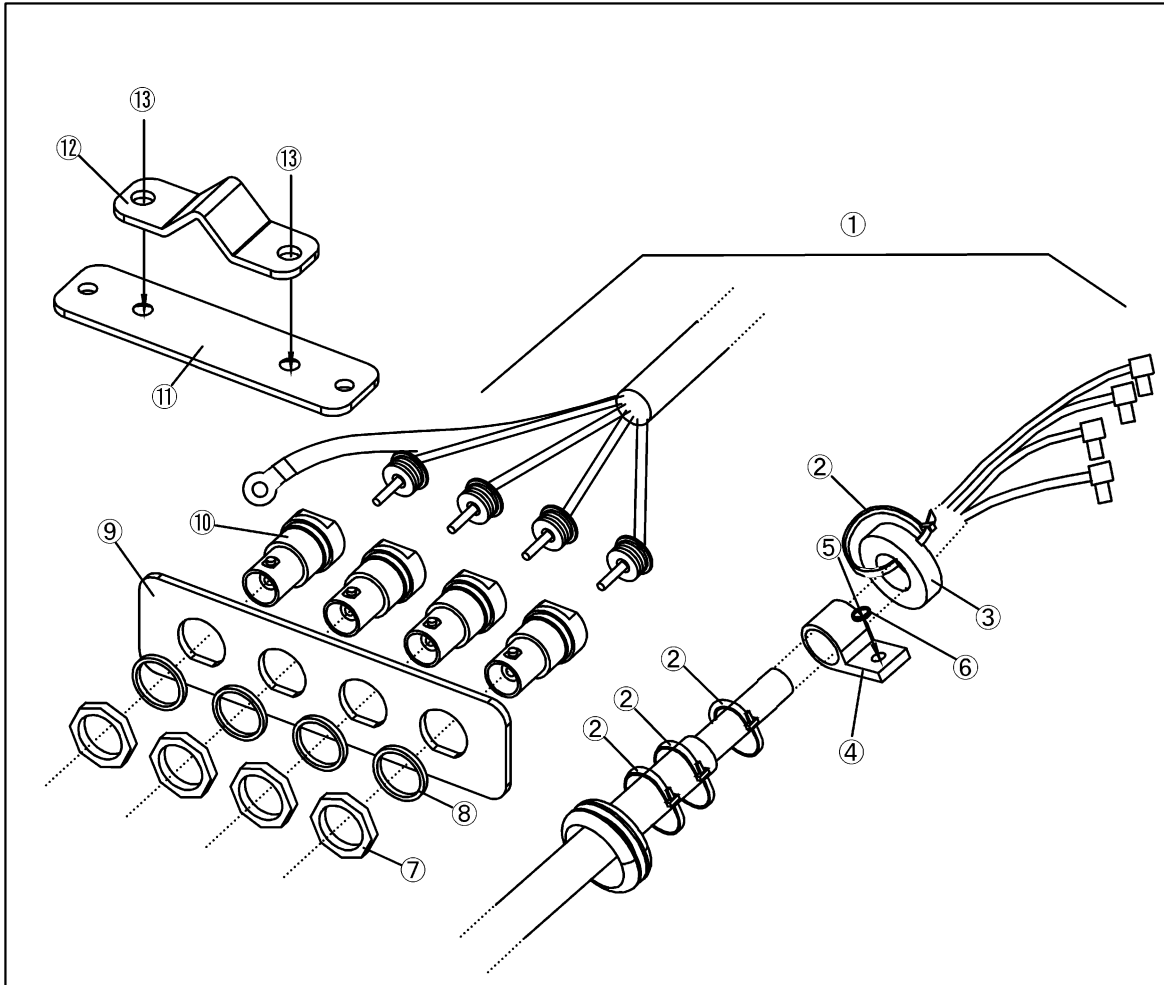
SERVICE NOTE CLASSIFICATION:	
<b>INFORMATION ONLY</b>	
<input type="checkbox"/> Calibration Required <b>X Calibration NOT Required</b>	PRODUCT LINE: WN AUTHOR: LS
ADDITIONAL INFORMATION: Support part information for non-RoHS and RoHS16048G 1m Port Extension Cable for Impedance Analyzer	

**Situation 1:**

**For non-RoHS 16048G 1m Port Extension Cable for Impedance Analyzer (S/N: MY431xxxxx, SG431xxxxx and below).**

**Solution/Action:**

Shown are the supported parts and their respective RoHS compliant replacement support part. RoHS conversion involves with design and dimension change which result in the RoHS support part backward incompatible with non-RoHS 16048G. Special handling is needed while using the RoHS replacement part on non-RoHS 16048G. The original support part number is replaced by the respective "RoHS Compliant Replacement Part". Once the original support part is depleted, please proceed to obtain the RoHS compliant support part. Please refer to figure and table 1-1 for the respective replacement part accordingly.



**Figure 1-1**

**NOTE: For RoHS Compliant Upper Level Assembly Replacement Part, if multiple parts are replaced by a common higher assembly part, only order ONE part of the higher level common assembly.**

Shown in table 1-1 to 1-4 are the original support part and its compatible RoHS replacement part/assembly.

**Table 1-1:**

Ref/D	Part Number	Description	Qty	RoHS Compliant Replacement Part	Description	Qty.
1	16048-61620	CBL ASSY 16048G (Excludes 2,3,4,5,6)	1	16048-61620	CBL ASSY 16048G (Excludes 2,3,4,5,6)	1
	16048-61623	CBL ASSY 16048H (Excludes 2,3,4,5,6)	1	16048-61623	CBL ASSY 16048H (Excludes 2,3,4,5,6)	1
2	1400-0493	CABLE TIE	4	1400-0493	CABLE TIE	4
3	9170-1465 (9170-2052)	CORE	1	9170-2521	CORE	1
4	-	CBL Clamp	1	-		1
5	0515-1550	SCR M3-L8 P-H	1	0515-0372	SCR M3-L8 P-H	1
6	3050-0891	WASHER M3	1	3050-0891	WASHER M3	1
7	2950-0035	NUT-HEX-DBL-CHAM	4	2950-0035	NUT-HEX-DBL-CHAM	4
8	2190-0102	WASHER	4	2190-0102	WASHER	4
9	16048-00623	GUIDE	1	16048-00623	GUIDE	1
10	1250-0252	CONN-RF BNC	4	1250-0252	CONN-RF BNC	4
11	16048-00626	PLATE	1	<*1>Set change : 16048-00676	PLATE	1
12	16048-00627	ANGLE	1	16048-00627	ANGLE	1
13	0515-1012	SCR FL M4L8	2	<*1>Set change : 0515-2043	SCR FL M4L8	2

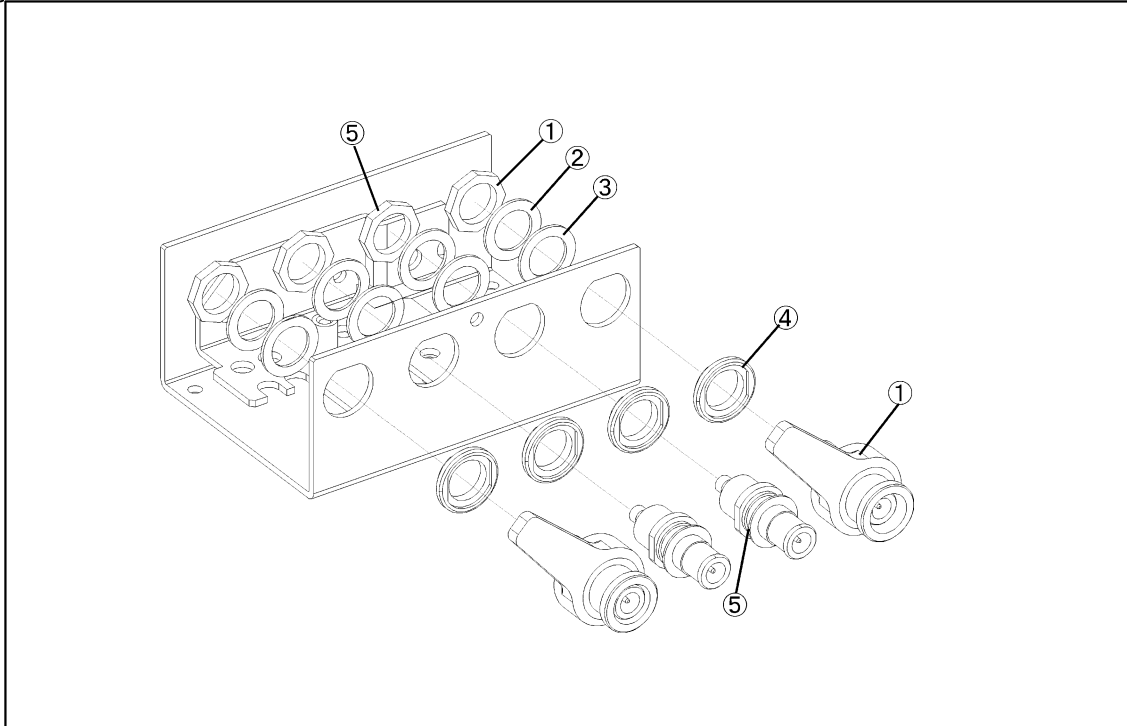


Figure 1-2

Table 1-2:

Ref/D	Part Number	Description	Qty.	RoHS Compliant Replacement Part	Description	Qty.
1	16044-60001 (5012-8618)	CONN BNC-SMB	2	5012-8618	CONN BNC-SMB	2
2	3050-0067	WSHR-FL MTLC	4	3050-0067	WSHR-FL MTLC	4
3	3050-0789	WSHR-FL NM	4	3050-0789	WSHR-FL NM	4
4	16047-40002	INSULATOR	4	16047-40002	INSULATOR	4
5	1253-0476 (5012-8630)	ADPT BNC-SMB	2	5012-8630	ADPT BNC-SMB	2

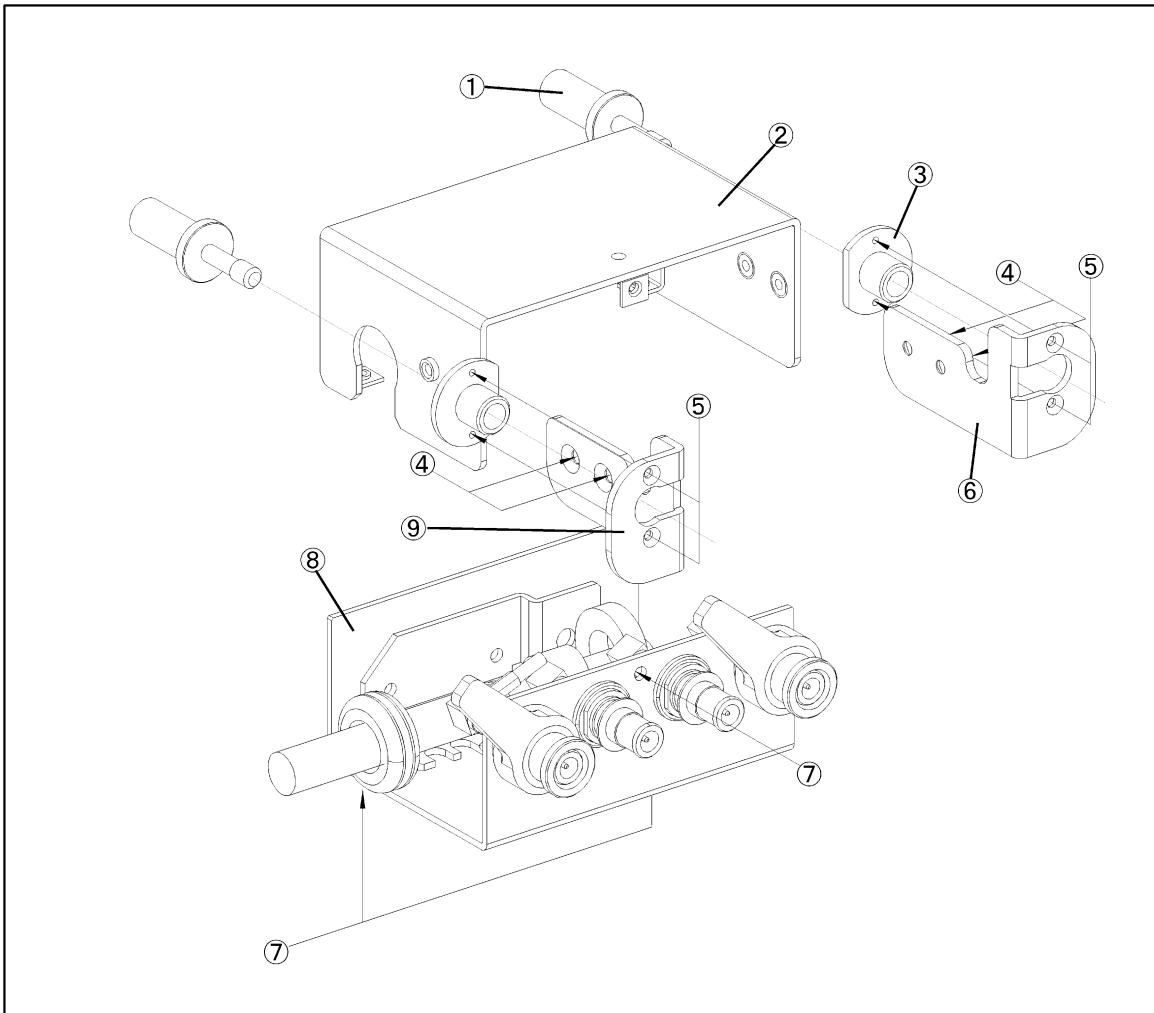


Figure 1-3

Table 1-3

Ref/D	Part Number	Description	Qty.	RoHS Compliant Replacement Part	Description	Qty.
1	16047-24021	KNOB	2	16047-24021	KNOB	2
2	16048-04021	COVER TOP (16048G)	1	16048-04021	COVER TOP (16048G)	1
	16048-04025	COVER TOP (16048H)	1	16048-04025	COVER TOP (16048H)	1
3	16047-24026	FLANGE	2	16047-24026	FLANGE	2
4	0515-0914	SCR-MACH M3X0.5	4	0515-1946	SCR-MACH M3X0.5	4
5	0515-0952	SCR-MACH M2X0.4	4	0515-2151	SCR-MACH M2X0.4	4
6	16048-00624	ANGLE	1	16048-00624	ANGLE	1
7	0515-0914	SCR-MACH M3X0.5	3	0515-0914	SCR-MACH M3X0.5	3
8	16048-04022	COVER BOTTOM	1	16048-04022	COVER BOTTOM	1
9	16048-00625	ANGLE	1	16048-00625	ANGLE	1

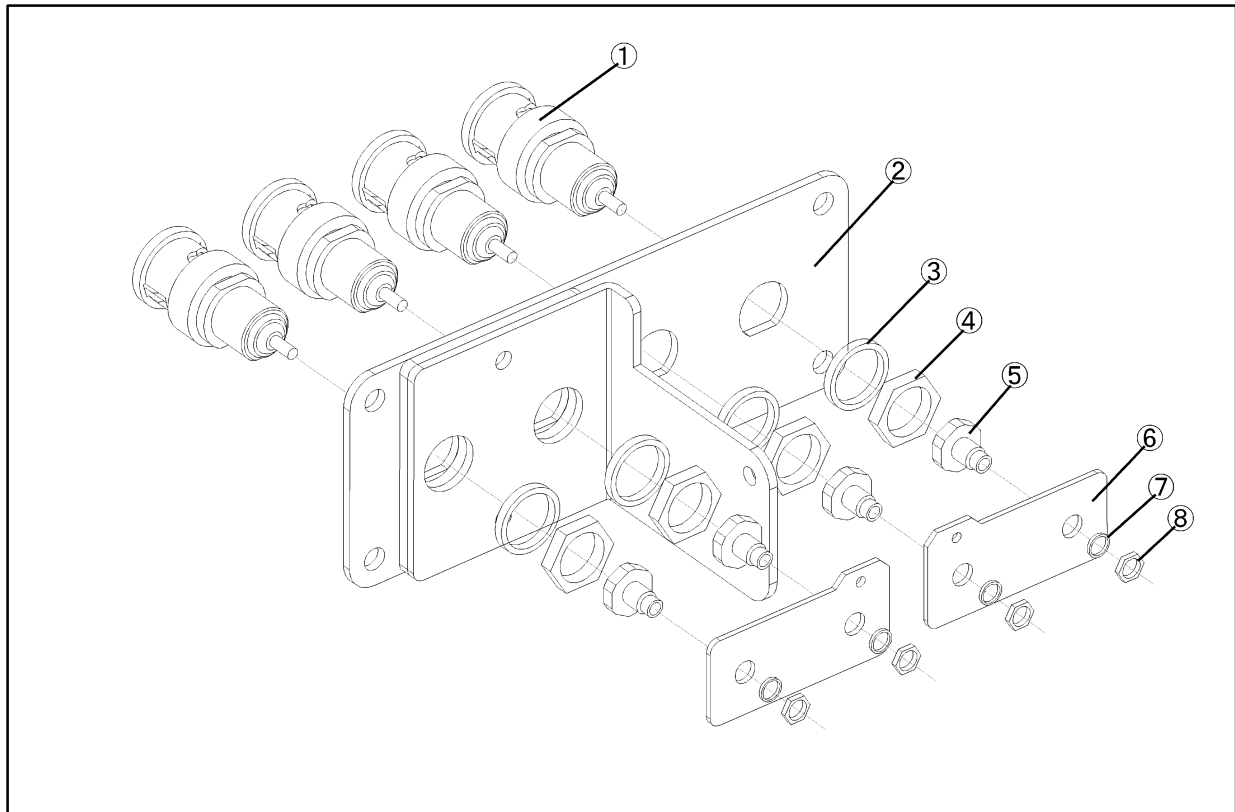


Figure 1-4

Table 1-4

Ref/D	Part Number	Description	Qty.	RoHS Compliant Replacement Part	Description	Qty.
1	1250-1985 (5012-8627)	CONNECTOR-BNC	4	5012-8627	CONNECTOR -BNC	4
2	16048-00621	PLATE	1	16048-00671	PLATE	1
3	2190-0016	WASHER	4	16048-04025	WASHER	4
4	2950-0043	NUT-HEX-DBL-CHAM	4	16047-24026	NUT-HEX- DBL-CHAM	4
5	16380-24001	TERMINAL	4	0515-1946	TERMINAL	4
6	42036-00601	PLATE	2	0515-2151	PLATE	2
7	3050-0893	WASHER	4	16048-00624	WASHER	4
8	0535-0043	NUT	4	0515-0914	NUT	4

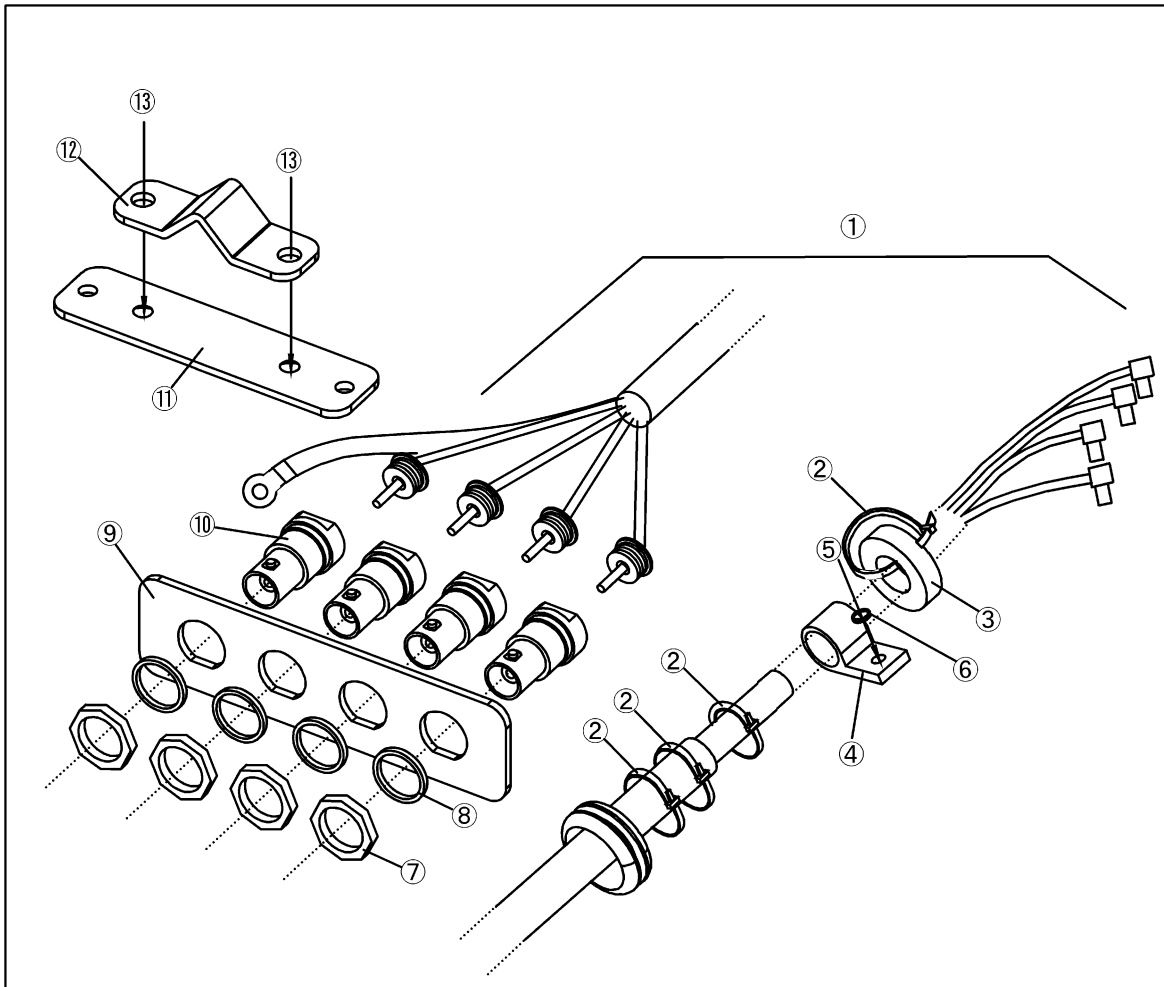
**Situation 2:**

**For RoHS 16048G 1m Port Extension Cable for Impedance Analyzer (S/N: MY432xxxxx, SG432xxxxx and above).**

**Solution/Action:**

Shown are the support parts for RoHS compliance 16048G 1m Port Extension Cable for Impedance Analyzer. All the listed items are changed at RoHS conversion. Due to limited availability of RoHS compliance station and technical difficulties in RoHS soldering, only parts and support level that do not require RoHS soldering are supported. Shown are the supported RoHS compliance parts for RoHS 16048G 1m Port Extension Cable for Impedance Analyzer.

Shown in table 2-1 to 2-4 and figure 2-1 to 2-4 are the respective support parts for RoHS compliance 16048G unit.



**Figure 2-1**

Table 2-1

Ref/D	Description	RoHS Compliant Replacement Part	Qty.
1	CBL ASSY 16048G (Excludes 2,3,4,5,6)	16048-61620	1
	CBL ASSY 16048H (Excludes 2,3,4,5,6)	16048-61623	1
2	CABLE TIE	1400-0493	4
3	CORE	9170-2521	1
4	CBL CLANP	-	1
5	SCR M3-L8 P-H	0515-0372	1
6	WASHER M3	3050-0891	1
7	NUT-HEX-DBL-CHAM	2950-0035	4
8	WASHER	2190-0102	4
9	GUIDE	16048-00623	1
10	CONN-RF BNC	1250-0252	4
11	PLATE	16048-00676	1
12	ANGLE	16048-00627	1
13	SCR FL M4L8	0515-2043	2



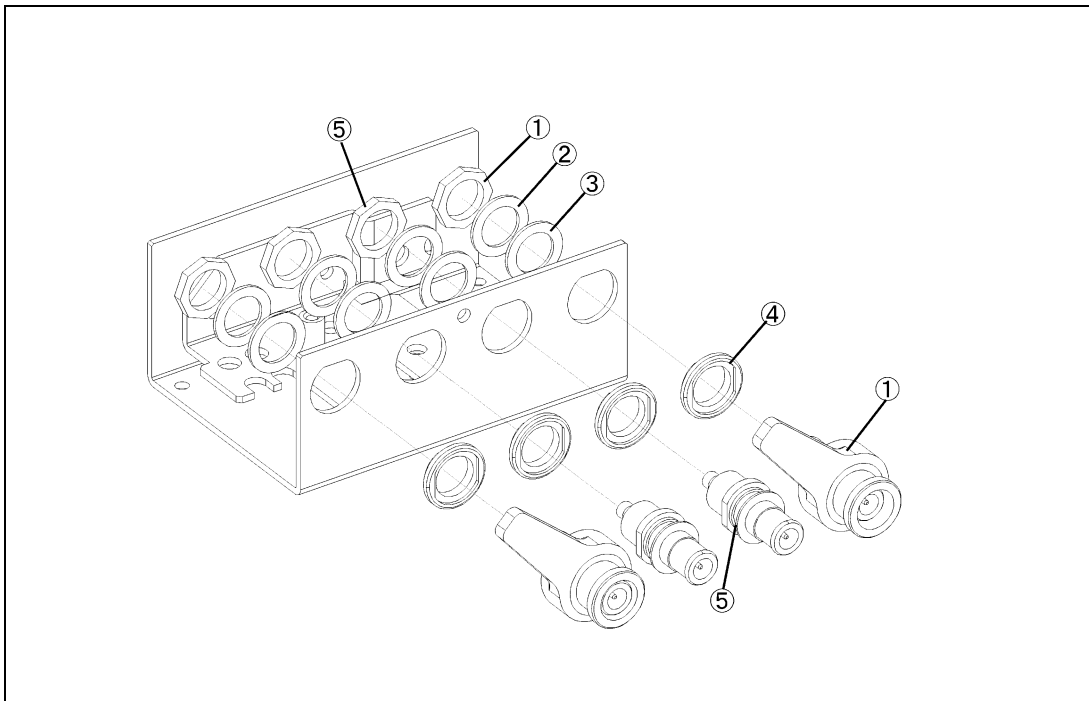


Figure 2-2

Table 2-2

Ref/D	Description	RoHS Compliant Replacement Part	Qty.
1	CONN BNC-SMB	5012-8618	2
2	WSHR-FL MTLC	3050-0067	4
3	WSHR-FL NM	3050-0789	4
4	INSULATOR	16047-40002	4
5	ADPT BNC-SMB	5012-8630	2

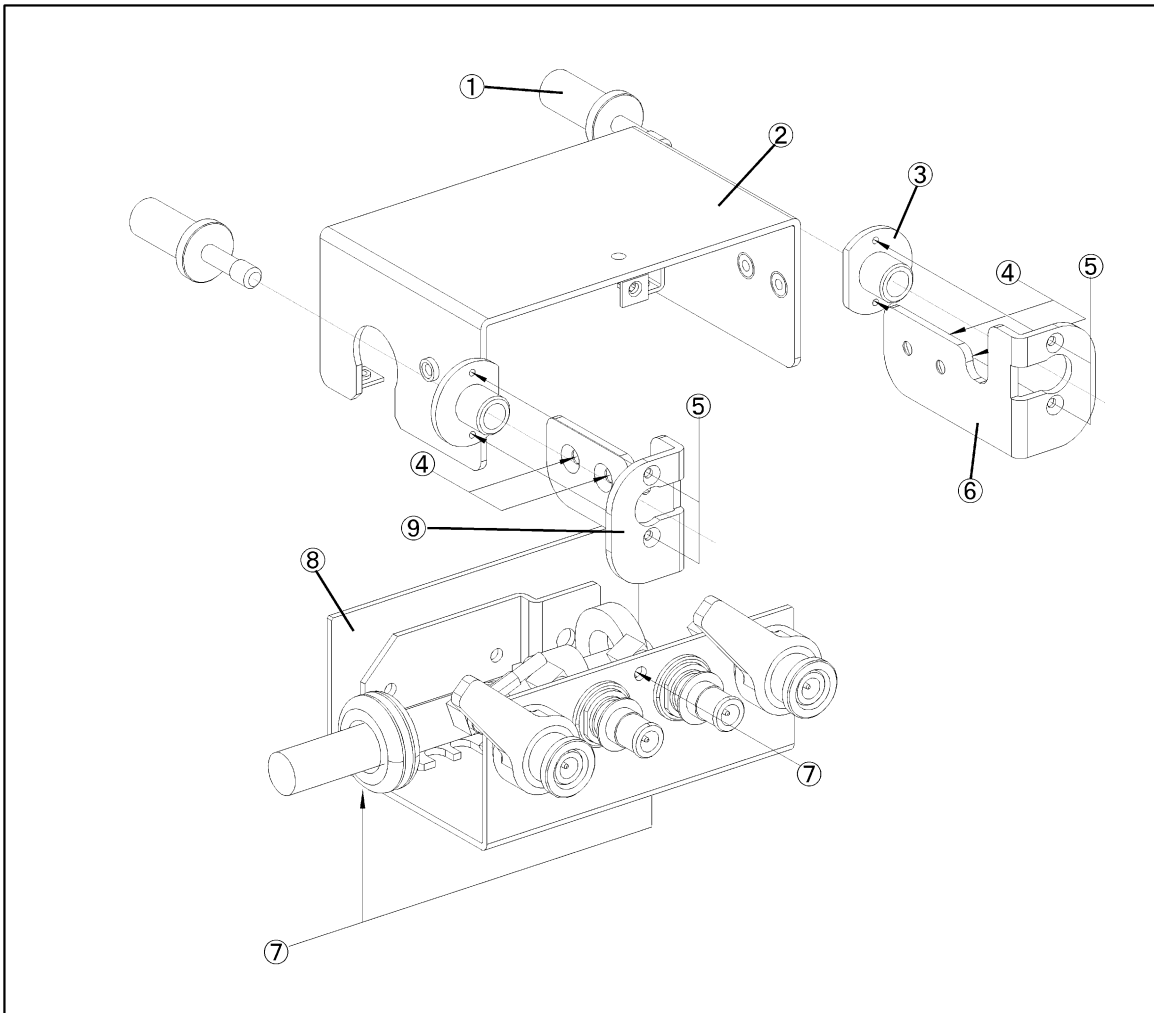


Figure 2-3

Table 2-3

Ref/D	Description	RoHS Compliant Replacement Part	Qty.
1	KNOB	16047-24021	2
2	COVER TOP (16048G)	16048-04021	1
	COVER TOP (16048H)	16048-04025	1
3	FLANGE	16047-24026	2
4	SCR-MACH M3X0.5	0515-1946	4
5	SCR-MACH M2X0.4	0515-2151	4
6	ANGLE	16048-00624	1
7	SCR-MACH M3X0.5	0515-1946	3
8	COVER BOTTOM	16048-04022	1
9	ANGLE	16048-00625	1

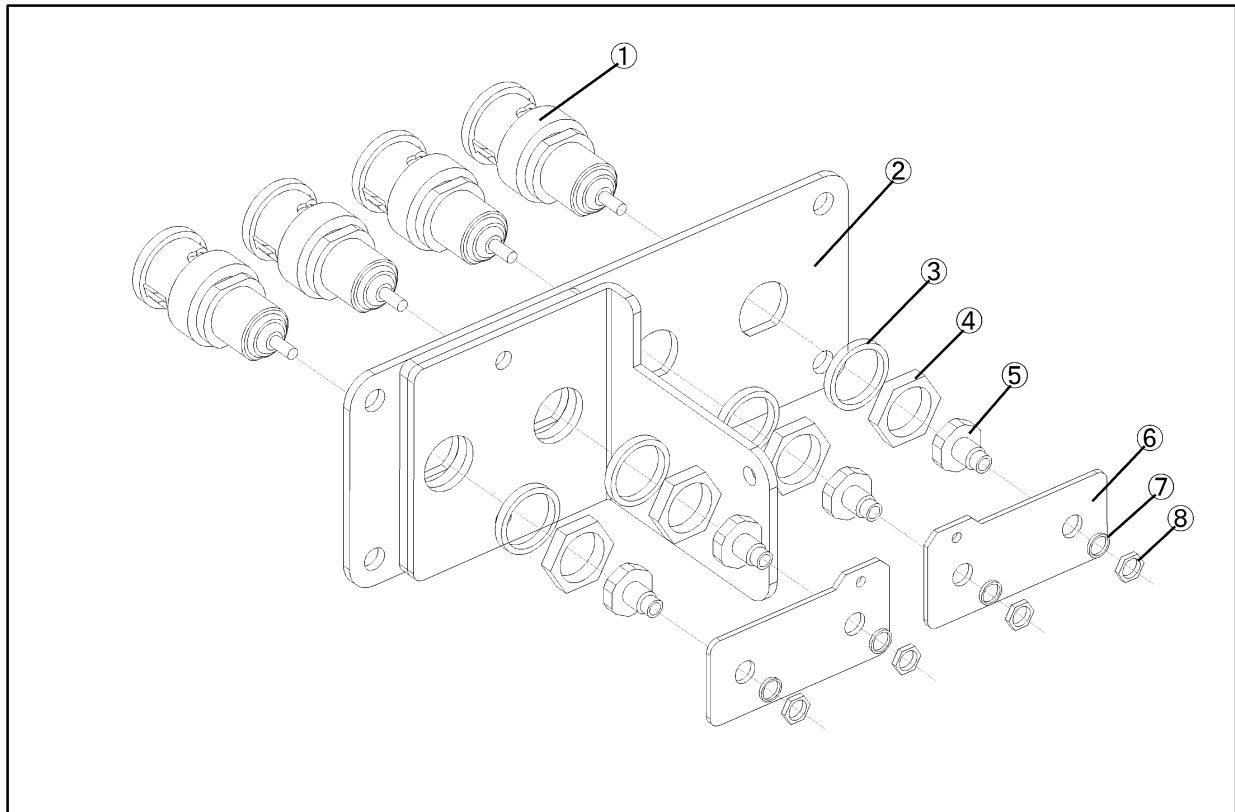


Figure 2-4

Table 2-4

Ref/D	Description	RoHS Compliant Replacement Part	Qty.
2	PLATE	16048-00671	1
3	WASHER	2190-0016	4
4	NUT-HEX-DBL-CHAM	2950-0043	4
6	PLATE	42036-00601	2
7	WASHER	3050-0893	4
8	NUT	0535-0043	4
1+5	(Sub assembly - for service use)	16048-65001	1

## Revision History:

Service note Revision	Date	Author	Reason For Change
16048G-01	12 July 2013	ls	As published
16048G-01A	1 June 2015	ls	Revised Core PN from 9170-2052 to 9170-2521