

INFORMATION ONLY

16065A-01A

S E R V I C E N O T E

Supersedes:
16065A-01

16065A Ext Voltage Bias Fixture

Serial Numbers:

Non –RoHS Fixture “MY441xxxxx and below, SG441xxxxx and below”
OR
RoHS Fixture “MY442xxxxx and above, SG441xxxxx and above”

This service note provides the updated part numbers and figures for both RoHS and non- RoHS 16065A Ext Voltage Bias Fixture.

Parts Required:

P/N	Description	Qty.
-----	-------------	------

Parts required depends on whether RoHS or non-RoHS 16065A is serviced.

Non-RoHS unit – Refer to [Situation 1](#)

RoHS unit – Refer to [Situation 2](#)

ADMINISTRATIVE INFORMATION

SERVICE NOTE CLASSIFICATION:	
INFORMATION ONLY	
<input type="checkbox"/> Calibration Required	PRODUCT LINE: WN
<input checked="" type="checkbox"/> Calibration NOT Required	AUTHOR: LS
ADDITIONAL INFORMATION: Support part information for non-RoHS and RoHS 16065A Ext Voltage Bias Fixture	

Situation 1:

For non-RoHS 16065A Ext Voltage Bias Fixture (S/N: MY441xxxxx, SG441xxxxx and below).

Solution/Action:

Shown are the supported parts and their respective RoHS compliant replacement support part. RoHS conversion involves with design and dimension change which result in the RoHS support part backward incompatible with non-RoHS 16065A. Special handling is needed while using the RoHS replacement part on non-RoHS 16065A. The original support part number is replaced by the respective "RoHS Compliant Upper Level Assembly Replacement Part". Once the original support part is depleted, please proceed to obtain the RoHS compliant support part. Please refer to table 1.1 for the respective replacement part accordingly.

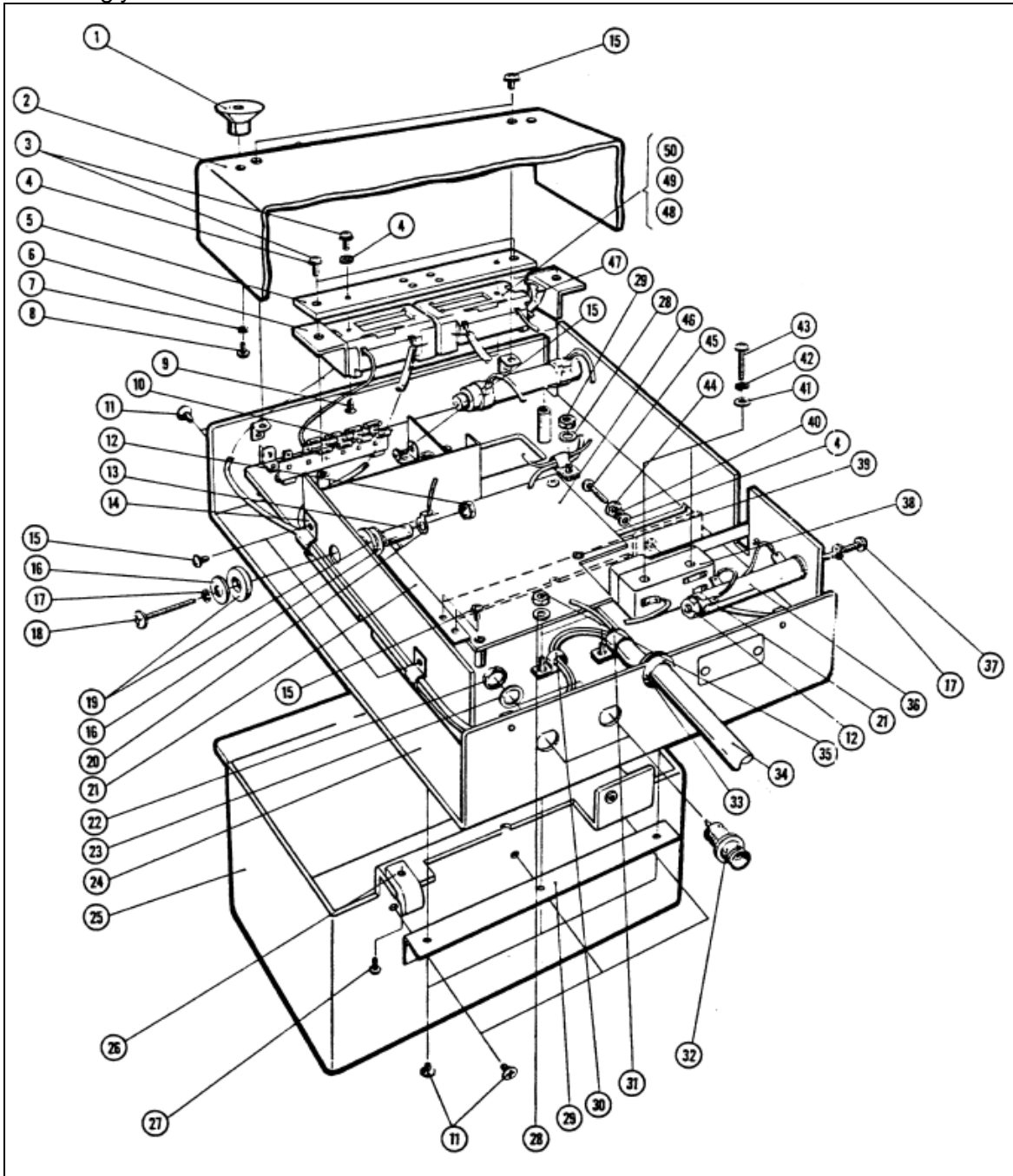


Figure 1-1

NOTE: For RoHS Compliant Upper Level Assembly Replacement Part, if multiple parts are replaced by a common higher assembly part 16047-60071, only order ONE part of common assembly 16065-60071.

Below are the solutions to the suggested situation faced:

Objective: P/N: **16015-8522** “Bumper Foot” and P/N: **16047-04005** “Cover Bottom” needs to be purchased.

Situation A: Replacement part for both P/N: **16015-8522** and **16047-04005** is **16065-60071**. For repeated replacement on higher level assembly **16065-60071**, only purchase ONE unit for each unit of 16065A.

Situation B: P/N: **16015-8522** “Bumper Foot” is still available for purchase at the moment. P/N: **16047-04005** is depleted. In this case, since the replacement part of **16047-04005** is **16065-60071**, please do not purchase the **16015-8522** anymore. Instead, purchase the higher level assembly **16065-60071** directly. Only purchase ONE unit of **16065-60071** for each unit of 16065A.

Shown in table 1-1 are the original support part and its compatible RoHS replacement part/assembly.

Table 1-1:

Ref/D	Part Number	Qty.	Description	RoHS Compliant Replacement Part	Qty.
1	16015-8522 (5012-8753)	4	BUMPER FOOT	16065-60071	1
2	16047-04005	1	COVER BOTTOM	16065-60071	1
3	2200-0109	2	SCREW MACH 4-40	16065-60071	1
4	2190-0206	4	WSHR-FLAT MET	16065-60071	1
5	16047-25000 (16047-25002)	1	PLATE	16047-25002	1
6	Unassigned	2	ANGLE	16065-60071	1
7	2190-0226 (2190-0584)	4	WSHR-LL HLCL MET	16065-60071	1
8	0515-0924	4	SCREW MACH M3-0.5	16065-60071	1
9	2200-0165	2	SCREW MACH 4-40	16065-60071	1
10	1901-1065	8	DIODE POWER CR9-CR16		
11	2360-0192	10	SCREW MACH 6-32	16065-60071	1
12	2580-0006	3	NUT-HEX-W/LK WR	16065-60071	1
13	0380-0009	1	SPACER-RND.562LG	0380-0009	1
14	1400-0015	2	CLAMP CABLE	1400-0015	2
15	2360-0113	9	SCREW MACH 6-32	16065-60071	1
16	3050-0139	4	WSHR-FL MTLC	16065-60071	1
17	2190-0017	3	WSHR-FL MTLC	16065-60071	1
18	2510-0059	1	SCREW MACH 8-32	16065-60071	1
19	0340-0100	2	INSULATOR-BDG	5188-4496	2

	(5188-4496)		POST		
20	0360-0007	2	TERM SOLDER LUG	0360-0007	2
21	16047-00606	1	CONTACT	16047-00606	1
22	2950-0001	2	NUT-HEX-DBL-CHAM	2950-0001	2
23	2190-0016	2	WSHR-LK INTL T	2190-0016	2
24	16065-04011	1	COVER TOP	16065-60071	1
25	16065-60011	1	COVER	16065-60071	1
26	16047-40003	1	CAM	16047-40003	1
27	0624-0097	1	SCREWTPG 4-40	0624-0097	1
28	3050-0066	3	WSHR-FL MTLC	16065-60071	1
29	16047-09000	1	HINGE	16065-60071	1
30	1400-0053	2	CLAMP CABLE	1400-0053	2
31	1400-0017	1	CLAMP CABLE	1400-0017	1
32	1250-0118	2	CONNECTOR RF BNC	1250-0118	2
33	0400-0011	2	GROMMET ROUND	0400-0011	2
34	*	1	CABLE-UNSHIELDED	16065-60071	1
35	2420-0006	3	NUT-HEX-W/LK WR	16065-60071	1
36	0811-1156	2	RESISTOR 20 Ω 5 % 20W	16065-60071	1
37	2510-0136	2	SCREW MACH 8-32	16065-60071	1
38	3101-0301	1	SWITCH SENSITI-E	3101-0301	1
39	2200-0103	4	SCREW MACH 4-40	16065-60071	1
40	2190-0108 (2190-0584)	1	WSHR-LK HLCL	16065-60071	1
41	3050-0010	4	WSHR-LK HLCL	16065-60071	1
42	2190-0918	2	WSHR-LK HLCL	16065-60071	1
43	2360-0209	2	SCREW MACH 6-32	16065-60071	1
44	2260-0001	1	NUT-HEX-DBL-CHAM	16065-60071	1
45	2200-0147	1	SCREW MACH 4-40	16065-60071	1
46	16065-66501 (16065- 66502)	1	PC BOARD ASSY DC- CUT	16065-60071	1
47	16061-10027	2	SPRING-LEAF		
48	1460-0343	4	SPRING CPRSN-CYL	1460-0343	4
49	16061-10026	4	CONTACT	16061-10026	4
50	16047-40004 (16061- 50024)	2	SOCKET	16061-50024	2
51	*	2	BNC-ASSY	16065-60071	1
52	*	4	INSULATOR	16065-60071	1
53	*	2	CONNECTOR BNC	16065-60071	1
54	*	1	CO-ER-BOTTOM	16065-60071	1
55	1400-0719 (1400-3284)	2	CABLE TIE	1400-3284	2
56	*	4	SLEEVE-METAL	16065-60071	1
57	*	4	NUT	16065-60071	1
58	*	4	NUT-HEX-DBL-CHAM	16065-60071	1
59	*	4	WSHR-FL MTLC	16065-60071	1
60	*	4	WSHR-FL NM	16065-60071	1
61	16047-40000	1	STOPPER		
62	16065-04012	1	COVER TOP	16065-60071	1
63	2200-0103	1	SCREW MACH 4-40		

64	16061-10031	4	CONTACT RADIAL	16061-10031	1
65	16061-50031	2	SOCKET RADIAL	16061-50031	1
66	16061-10032	2	CONTACT AXIAL	16061-10032	1
67	16061-10033	2	CONTACT AXIAL	16061-10033	1
68	16061-50032	2	SOCKET AXIAL	16061-50032	1
69	16047-00605	2	CONTACT AXIAL	16047-00605	1
70	16047-00604	2	CONTACT AXIAL	16047-00604	1
71	16047-40001	2	SOCKET AXIAL	16047-40001	1
	16065-60200	1	CABLE ASSY WITH UNKNOWN BOX	16065-60271	1
	16065-60100	1	TEST FIXTURE EXCLUDING LID AND COVER BOTTOM	16065-60171	1
	16065-60001	1	TEST FIXTURE (1THRU 63)	16065-60071	1

* NOT SEPERATELY REPLACEABLE. ORDER 16065-60200 (16065-60271).

Figure 1-2 showed the detailed exploded view of the accessories. Respective parts are listed in table 1-2.

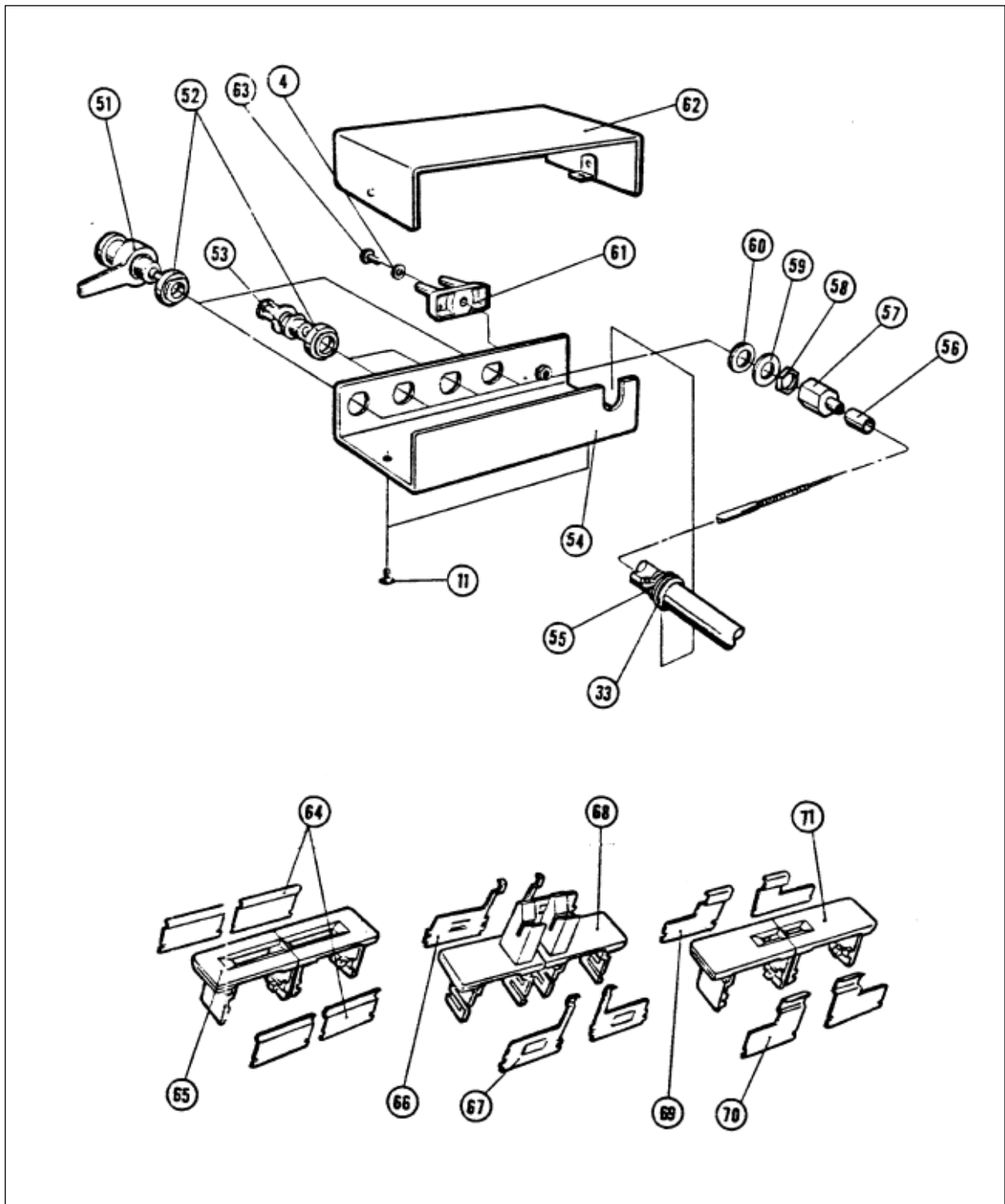


Figure 1-2

Table 1-2

Ref/D	Part Number	Qty.	Description	RoHS Compliant Replacement Part	Qty.
51	*	2	BNC-ASSY	16065-60071	1
52	*	4	INSULATOR	16065-60071	1
53	*	2	CONNECTOR BNC	16065-60071	1
54	*	1	CO-ER-BOTTOM	16065-60071	1
55	1400-0719 (1400-3284)	2	CABLE TIE	1400-3284	2
56	*	4	SLEEVE-METAL	16065-60071	1
57	*	4	NUT	16065-60071	1
58	*	4	NUT-HEX-DBL-CHAM	16065-60071	1
59	*	4	WSHR-FL MTLC	16065-60071	1
60	*	4	WSHR-FL NM	16065-60071	1
61	16047-40000	1	STOPPER		
62	16065-04012	1	COVER TOP	16065-60071	1
63	2200-0103	1	SCREW MACH 4-40		
64	16061-10031	4	CONTACT RADIAL	16061-10031	1
65	16061-50031	2	SOCKET RADIAL	16061-50031	1
66	16061-10032	2	CONTACT AXIAL	16061-10032	1
67	16061-10033	2	CONTACT AXIAL	16061-10033	1
68	16061-50032	2	SOCKET AXIAL	16061-50032	1
69	16047-00605	2	CONTACT AXIAL	16047-00605	1
70	16047-00604	2	CONTACT AXIAL	16047-00604	1
71	16047-40001	2	SOCKET AXIAL	16047-40001	1
	16065-60200	1	CABLE ASSY with UNKNOWN BOX	16065-60271	1
	16065-60100	1	TEST FIXTURE excluding LID and COVER BOTTOM	16065-60171	1
	16065-60001	1	TEST FIXTURE (1thru 63)	16065-60071	1

Situation 2:

For RoHS 16065A Ext Voltage Bias Fixture (S/N: MY442xxxxx, SG442xxxxx and above).

Solution/Action:

Shown are the support parts for RoHS compliance 16065A Ext Voltage Bias Fixture. All the listed items are changed at RoHS conversion. Due to limited availability of RoHS compliance station and technical difficulties in RoHS soldering, only parts and support level that do not require RoHS soldering are supported. Shown are the supported RoHS compliance parts for RoHS 16065A Ext Voltage Bias Fixture.

Shown in table 2-1 and figure 2-1 are the respective support parts for RoHS compliance 16065A unit.

Table 2-1:

Ref/D	Part Number	Qty.	Description
1	0403-0786	4	BUMPER FOOT
2	16047-04605	1	COVER BOTTOM
8	0515-1753	4	SCREW PAN T10 M3 8MM
11	0515-1227	6	SCREW FLT T10 M3 6MM
12	0535-0043	1	NUT-HEX M4 32.MM-T
13	0380-0009	1	SPACER ROUND 0.562-IN-LG
15-1	0515-0430	4	SCREW PAN-T10 M3 6MM
15-2	0515-0431	2	SCREW PAN-T10 M3.5 6MM
16	3050-2280	2	WASHER-FLAT
18	0515-0669	1	SCREW PAN-T20 M4 30MM
19	5188-4496	2	INSULATOR BINDING POST
21	16047-00606	1	SHEET METAL, CONTACT
25	16065-60611	1	COVER
26	16047-40003	1	CAM
27	0624-0097	1	SCREW TPG 4-40
29	16047-09600	1	HINGE
N	16065-00671	1	SPACER

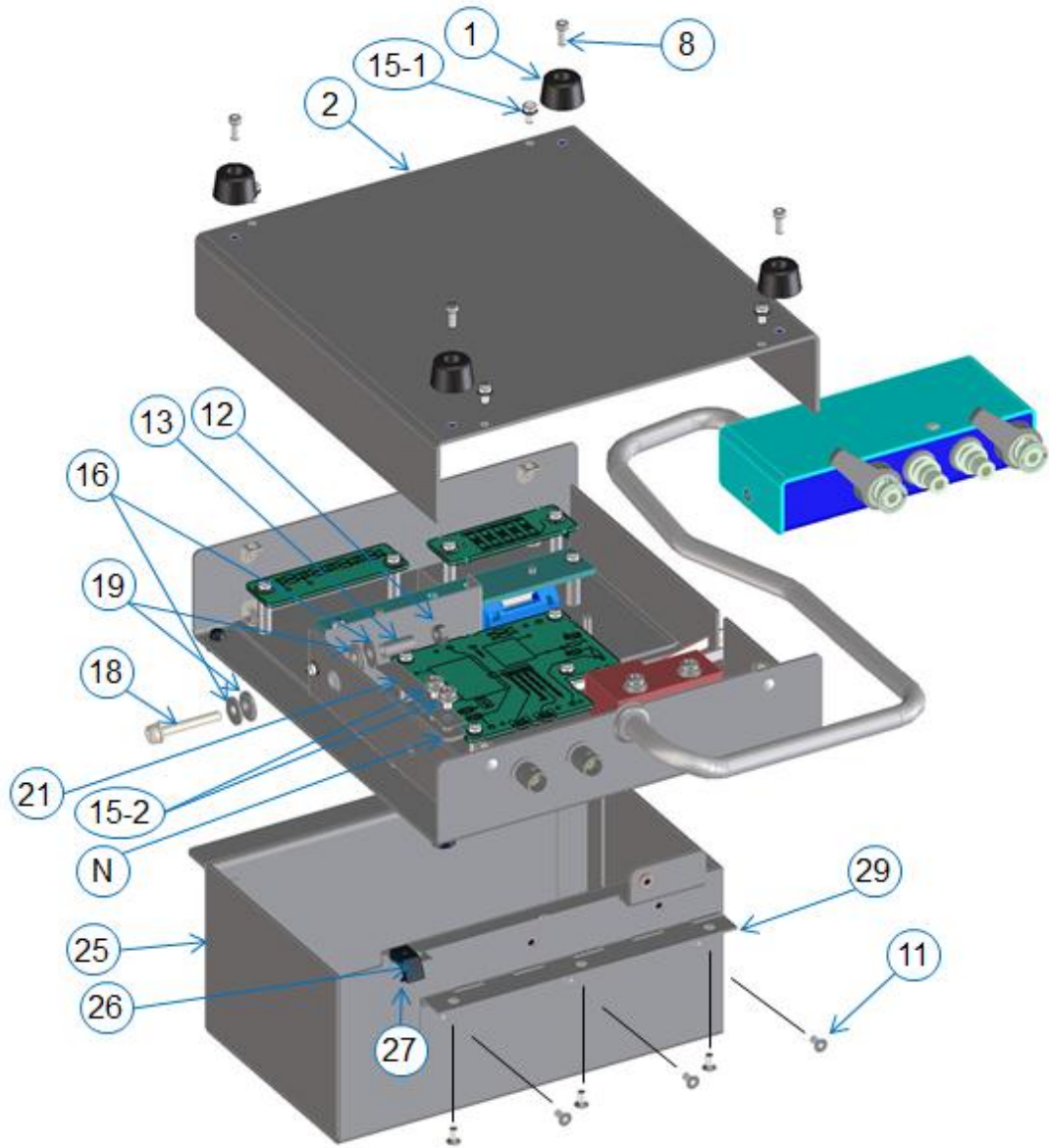


Figure 2-1

All the listed items are changed for RoHS.

Listed on table 2-2 are the support levels which do not require RoHS soldering. Refer to Figure 2-2.

Table 2-2:

Ref/D	Part Number	Qty.	Description
4	3050-1389	1	WASHER FLAT
40	2190-0584	1	WASHER-LK (SRM)
44	0535-0025	1	NUT-HEX M3
45	0515-0681	1	SCREW-MACH M3

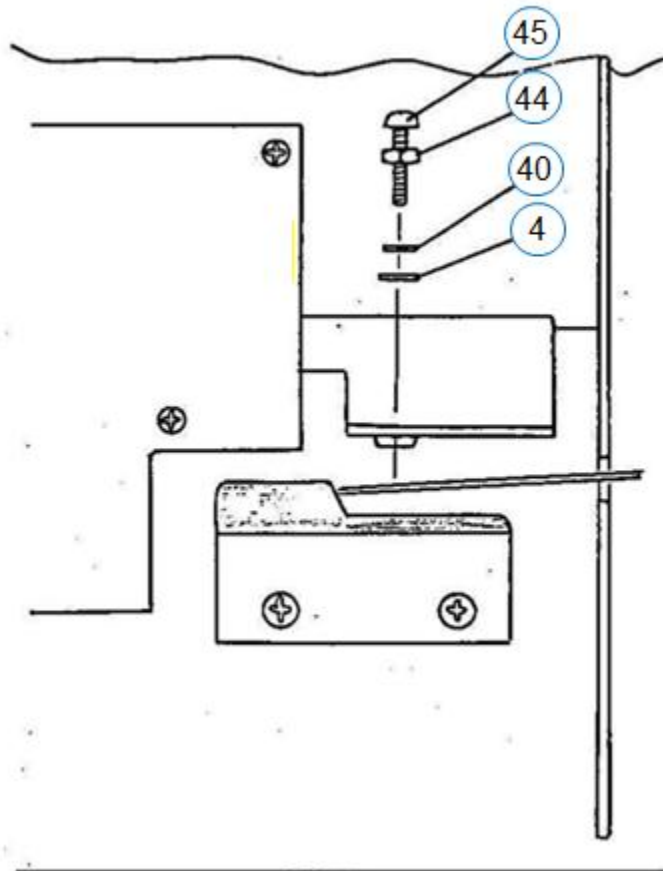


Figure 2-2

Due to design changes during RoHS conversion, for RoHS compliance 16065A unit, certain parts will no longer be used. For example: Item 61 Stopper and Item 63 Screw Mach 4-40. These parts will no longer be needed when repairing the RoHS 16065A unit. Shown in table 2-3 are the replaced and removed parts that are no longer used in RoHS 16065A.

Table 2-3:

Ref/D	Part Number	Description
61	Removed	STOPPER
62	16065-04612	COVER TOP
63	Removed	SCREW MACH 4-40
	Removed	CABLE ASSY WITH UNKNOWN BOX
	Removed	TEST FIXTURE EXCLUDING LID AND COVER BOTTOM

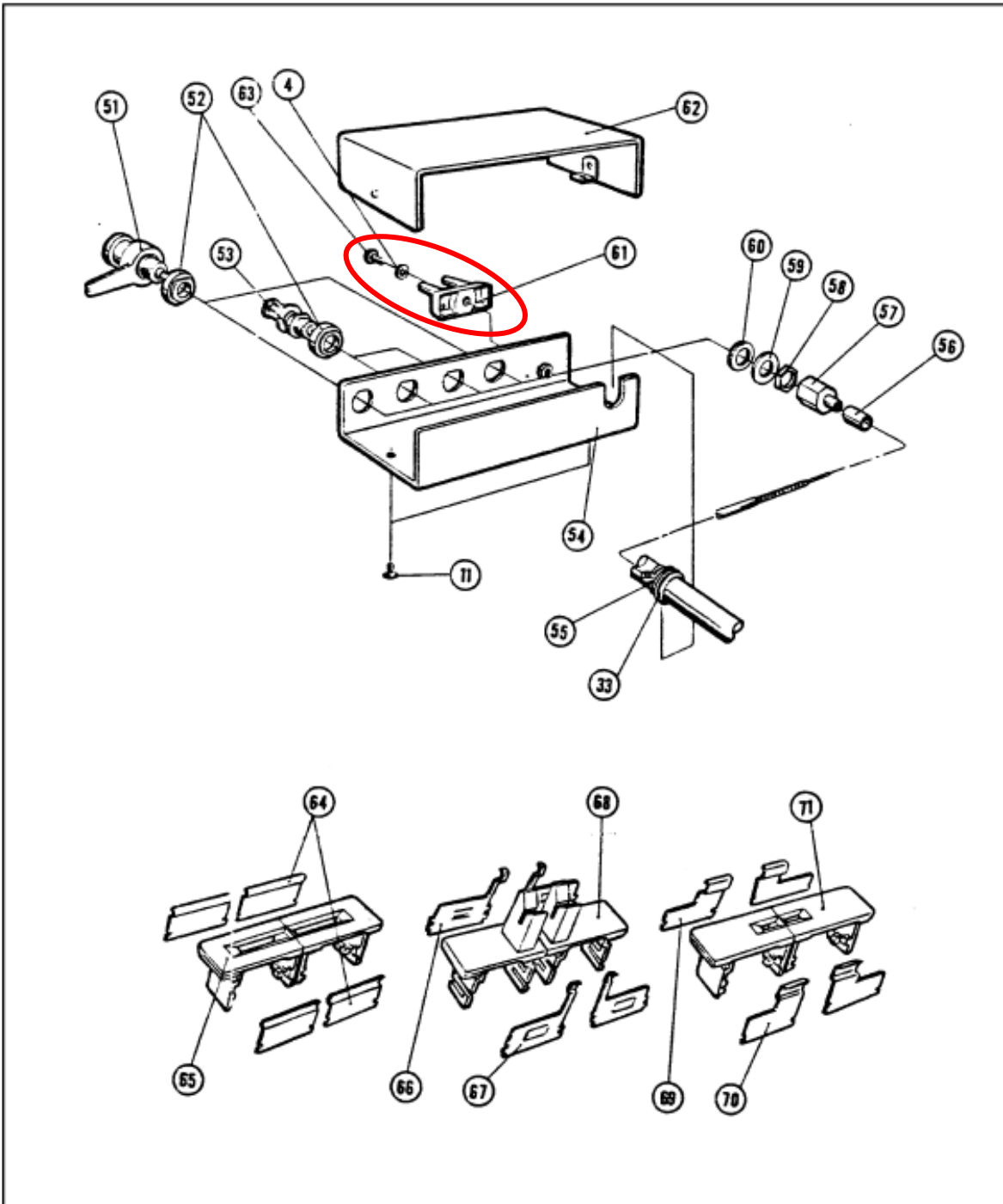


Figure 2-3

Revision History:

Service note Revision	Date	Author	Reason For Change
16065A-01	Feb 28 th , 2012	LS	As published
16065A-01A	Aug 29 th , 2014	LS	Updated Table 1-1 (Item 46)