

# INFORMATION ONLY

## 16065C-01B

# S E R V I C E N O T E

Supersedes:  
16065C-01A

## 16065C 40Vdc External Voltage Bias Adapter

### Serial Numbers:

Non-RoHS Fixture “MY43100001 - MY43199999, SG43100000- SG43199999”  
OR  
RoHS Fixture “MY43200001 – MY43299999, SG43200001- SG43299999”

This service note provides the updated part numbers and figures for both RoHS and non-RoHS 16065C 40Vdc External Voltage Bias Adapter

### Parts Required:

Parts required depends on whether RoHS or non-RoHS 16065C is serviced.

Non- RoHS unit – Refer to [Situation 1](#)

RoHS unit – Refer to [Situation 2](#)

## ADMINISTRATIVE INFORMATION

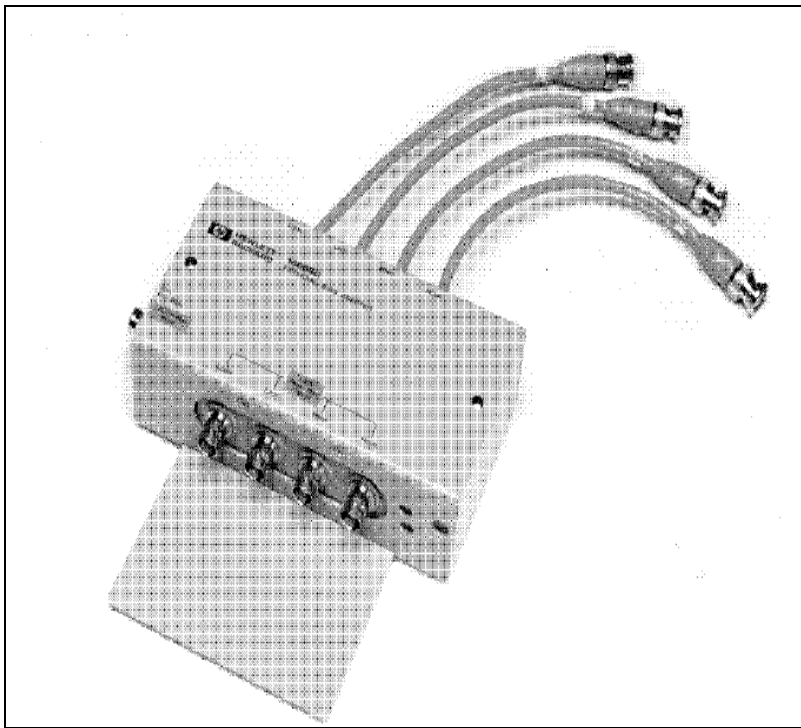
SERVICE NOTE CLASSIFICATION:	
<b>INFORMATION ONLY</b>	
<input type="checkbox"/> Calibration Required <b>X Calibration NOT Required</b>	PRODUCT LINE: WN AUTHOR: LS
ADDITIONAL INFORMATION: Support part information for non-RoHS and RoHS 16065C 40Vdc External Voltage Bias Adapter.	

**Situation:****Situation 1:**

**For non-RoHS 16065C 40Vdc External Voltage Bias Adapter (S/N: MY431xxxxx and below).**

**Solution/Action:**

Shown are the supported parts and their respective RoHS compliant replacement support part. RoHS conversion involves with design and dimension change which result in the RoHS support part backward incompatible with non-RoHS 16065C 40Vdc External Voltage Bias Adapter. Special handling is needed while using the RoHS replacement part on non-RoHS 16065C. The original support part number is replaced by the respective "RoHS Compliant Replacement Part". Once the original support part is depleted, please proceed to obtain the RoHS compliant support part. Please refer to table 1-1, 1-2, 1-3 and figure 1-1, 1-2, 1-3 for the respective replacement part accordingly.



**Figure 1-1**

**Table 1-1: Contents**

Description	Keysight Part Number	Qty.
External BIAS Adapter	16065-60300 <sup>1</sup> (16065C)	1
Operation and Service Manual	16065-90020 <sup>2</sup>	1

**Remarks:**

<sup>1</sup> Keysight internal-only part number.

Purchase the whole unit of 16065C External Bias Adapter for replacement.

<sup>2</sup> Operation and Service Manual is not shown in Figure 1-1.

**NOTE: For RoHS Compliant Upper Level Assembly Replacement Part, if multiple parts are replaced by a common higher assembly part, only order ONE part of the higher level common assembly.**

Shown in table 1-1 and 1-2 are the original support part and its compatible RoHS replacement part/assembly.

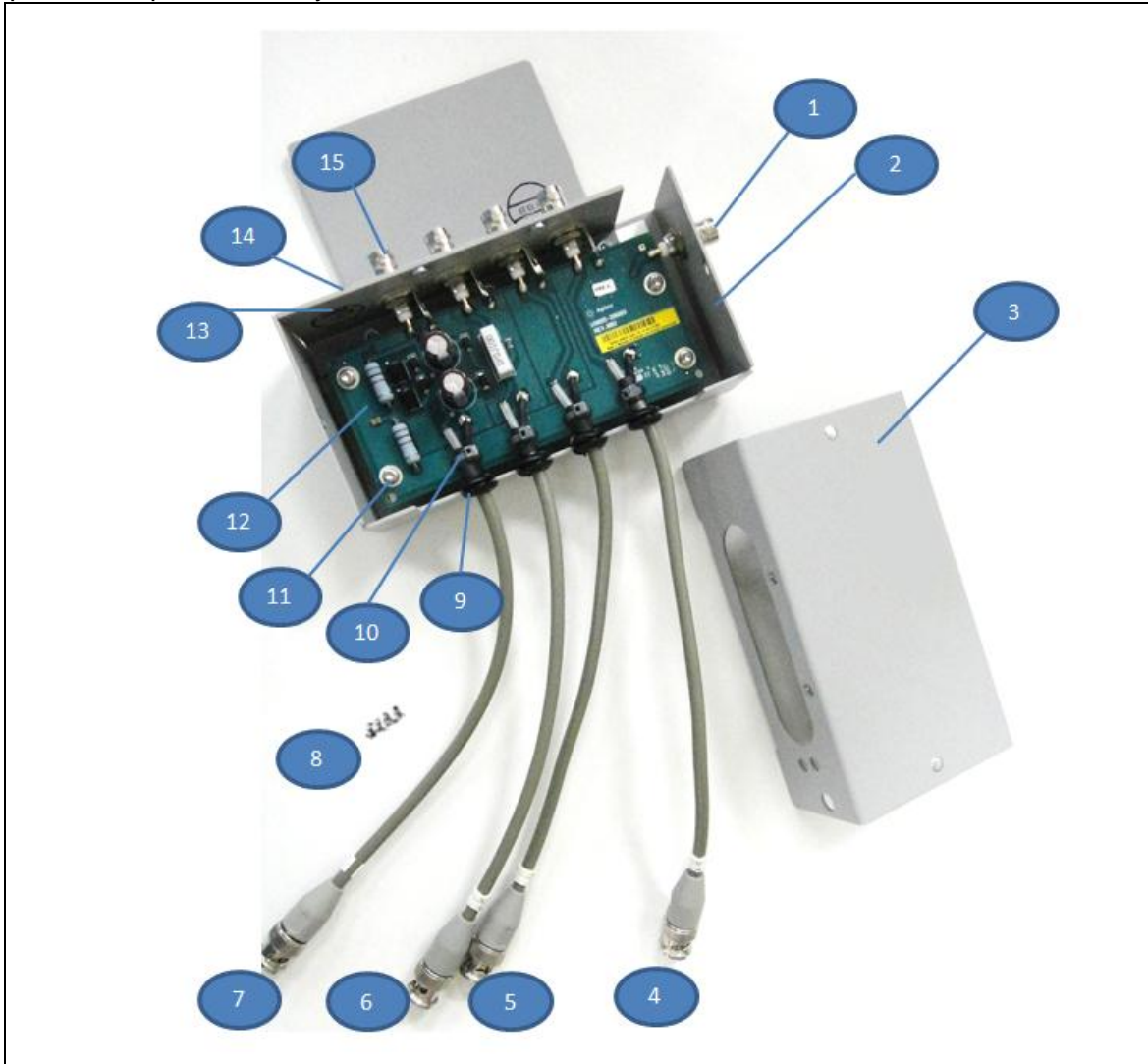


Figure 1-2

**Table 1-2: Replaceable Mechanical Parts**

Ref/D	Part Number	Description	Qty.	RoHS Compliant Replacement Part	Description	Qty.
1	1250-0083	Connector BNC (for "Ext DC Bias")	1	1250-0083	Connector BNC (for "Ext DC Bias")	1
	2190-0016	Washer (1)	1	2190-0016	Washer (1)	1
	2950-0043	Nut (1)	1	2950-0043	Nut (1)	1
2	16065-04002	Chassis	1	16065-04602	Chassis	1
3	16065-04001	Chassis Top Cover	1	16065-04601	Chassis, Top Cover	1
4	16065-61602	Cable Assembly "LC"	1	16065-61672	Cable, LC Assembly	1
5	16065-61603	Cable Assembly "LP"	1	16065-61673	Cable, LP Assembly	1
6	16065-61605	Cable Assembly "HP"	1	16065-61675	Cable, HP Assembly	1
7	16065-61604	Cable Assembly "HC"	1	16065-61674	Cable, HC Assembly	1
8	0515-0914	Screw Flat Head M3 L6	4	0515-1946	Screw Flat Head M3 L6	4
9	94801-40042 (0400-0010)	Grommet	4	0400-0010	Grommet	4
10	1400-0249	Cable Tie	4	1400-0249	Cable Tie	4
11	0515-1550	Screw Pan Head M30.5 L8 w/ Washer	4	0515-0372	Screw Pan Head M30.5 L8 w/ Washer	4
12	16065-66503	PC Board Assembly	1	16065C	External Bias Adapter	1
13	0515-1550	Screw Pan Head M3 0.5 L8 w/ Washer	3	0515-0372	Screw Pan Head M3 0.5 L8 w/ Washer	3
14	16065-01201	Angle	1	16065-01271	Angle	1
15	1250-0118	Connector BNC	4	1250-0118	Connector BNC	4
	16047-40002	Insulator (2)	8	16047-40002	Insulator (2)	8
	2190-0016	Washer (2)	4	2190-0016	Washer (2)	4
	0360-1190	Terminal Solder Lug (2)	4	0360-1190	Terminal Solder Lug (2)	4
	2950-0043	Nut (2)	4	2950-0043	Nut (2)	4
	0403-0427	Bumper Foot (2)	6	0403-0427	Bumper Foot (2)	6

**Remarks:**

Note (1): These parts are for item Ref/D #1.

Note (2): These parts are for item Ref/D #15

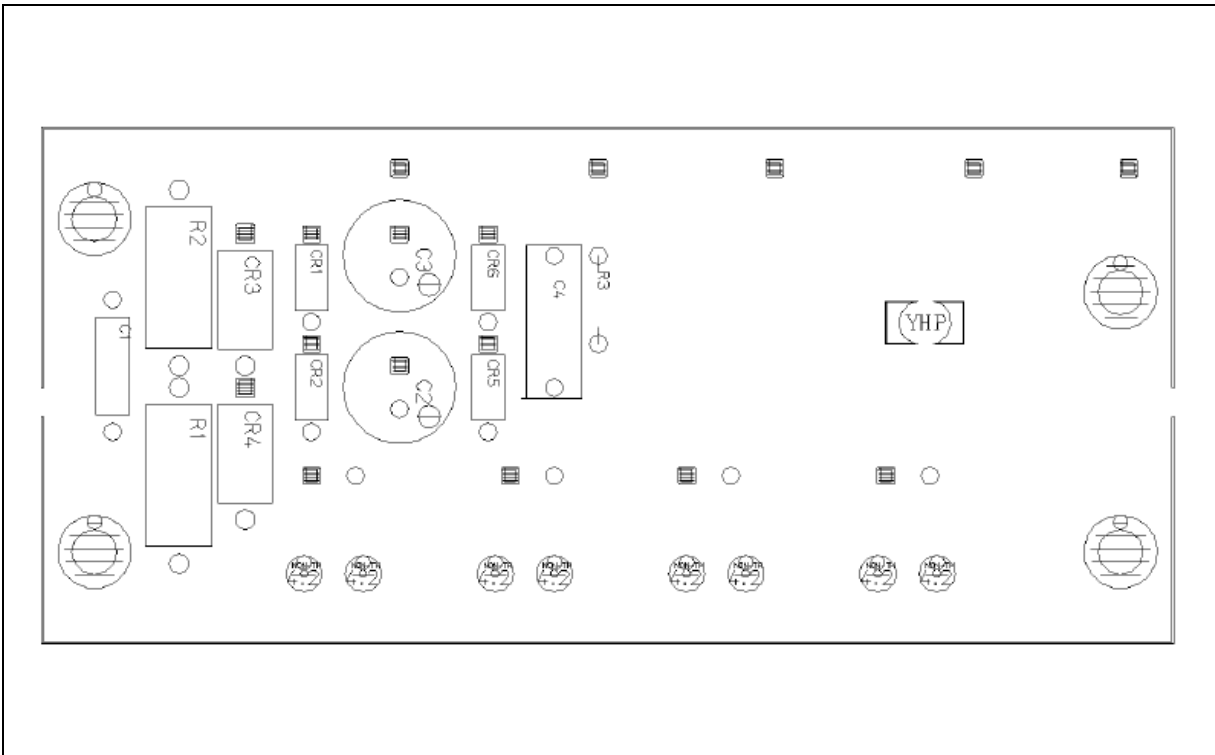


Figure 1-3

Table 1-3: Replaceable Parts

Ref/D	Part Number	Description	Qty.	RoHS Compliant Replacement Part	Description	Qty.
A1	16065-66503	PC Board Assembly	1	16065C	External Bias Adapter	1
A1C1	0160-5755	CAP-FXD 0.1 $\mu$ F 10% 100 V CER X7R	1	16065-66603	Printed Circuit Board Assembly, Pb-free, 40V Bias Adapter	1
A1C2	0180-3596	CAP-FXD 100 $\mu$ F 20% 100 V AL-ELCTLT	1	16065-66603	Printed Circuit Board Assembly, Pb-free, 40V Bias Adapter	1
A1C3	0180-3596	CAP-FXD 100 $\mu$ F 20% 100 V AL-ELCTLT	1	16065-66603	Printed Circuit Board Assembly, Pb-free, 40V Bias Adapter	1
A1C4	0160-6342	CAP-FXD 1 $\mu$ F 5% 100 V POLYE-MET	1	16065-66603	Printed Circuit Board Assembly, Pb-free, 40V Bias Adapter	1
A1CR1	1902-1540	DIODE-ZNR 47V 10% PD=2W IR=5 $\mu$ A	1	16065-66603	Printed Circuit Board Assembly, Pb-free, 40V Bias Adapter	1

A1CR2	1902-1540	DIODE-ZNR 47V 10% PD=2W IR=5 $\mu$ A	1	16065-66603	Printed Circuit Board Assembly, Pb-free, 40V Bias Adapter	1
A1CR3	1901-1250	DIODE-PWR RECT 400V 1A	1	16065-66603	Printed Circuit Board Assembly, Pb-free, 40V Bias Adapter	1
A1CR4	1901-1250	DIODE-PWR RECT 400V 1A	1	16065-66603	Printed Circuit Board Assembly, Pb-free, 40V Bias Adapter	1
A1R1	0764-0016	RESISTOR 1K 5% 2W MO TC=0200	1	16065-66603	Printed Circuit Board Assembly, Pb-free, 40V Bias Adapter	1
A1R2	0764-0016	RESISTOR 1K 5% 2W MO TC=0200	1	16065-66603	Printed Circuit Board Assembly, Pb-free, 40V Bias Adapter	1
A1R3	0698-3457	RESISTOR 316K 1% 0.125W TF TC=0 100	1	16065-66603	Printed Circuit Board Assembly, Pb-free, 40V Bias Adapter	1

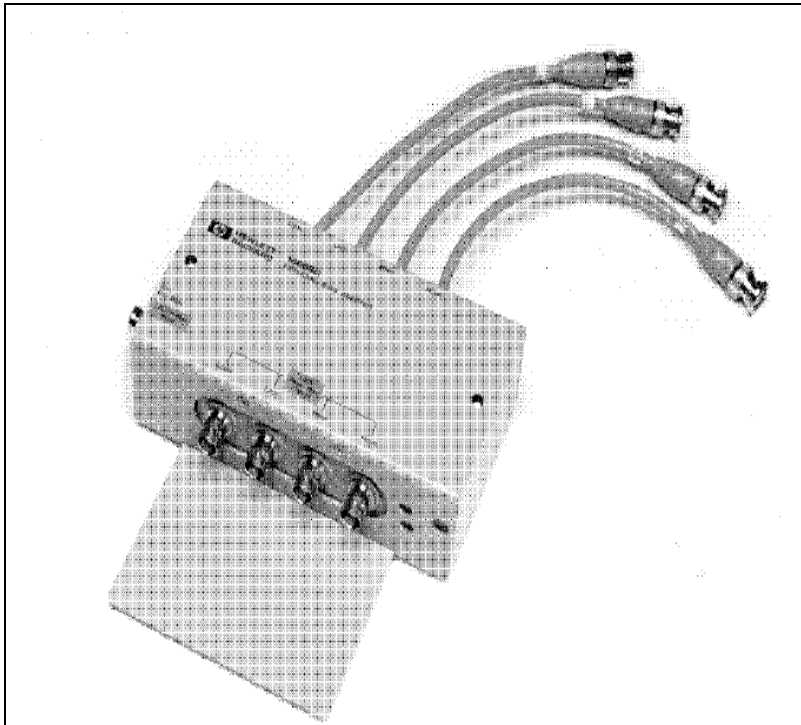
**Situation 2:**

**For RoHS 16065C 40Vdc External Voltage Bias Adapter (S/N: MY432xxxxx and above).**

**Solution/Action:**

Shown are the support parts for RoHS compliance 16065C 40Vdc External Voltage Bias Adapter. All the listed items are changed at RoHS conversion. Due to limited availability of RoHS compliance station and technical difficulties in RoHS soldering, only parts and support level that do not require RoHS soldering are supported. Shown are the supported RoHS compliance parts for RoHS 16065C 40Vdc External Voltage Bias Adapter.

Shown in table 2-1, 2-2 and figure 2-1, 2-2, 2-3 are the respective support parts for RoHS compliance 16065C unit. Parts shown in table 2-1, 2-2, 2-3 are replaceable parts for RoHS unit.



**Figure 2-1**

**Table 2-1: Contents**

<b>Description</b>	<b>Keysight Part Number</b>	<b>Qty.</b>
External BIAS Adapter	16065-60370 <sup>1</sup> (16065C)	1
Operation and Service Manual	16065-90020 <sup>2</sup>	1

**Remarks:**

<sup>1</sup> Keysight internal-only part number.

Purchase the whole unit of 16065C External Bias Adapter for replacement.

<sup>2</sup> Operation and Service Manual is not shown in Figure 1-1.

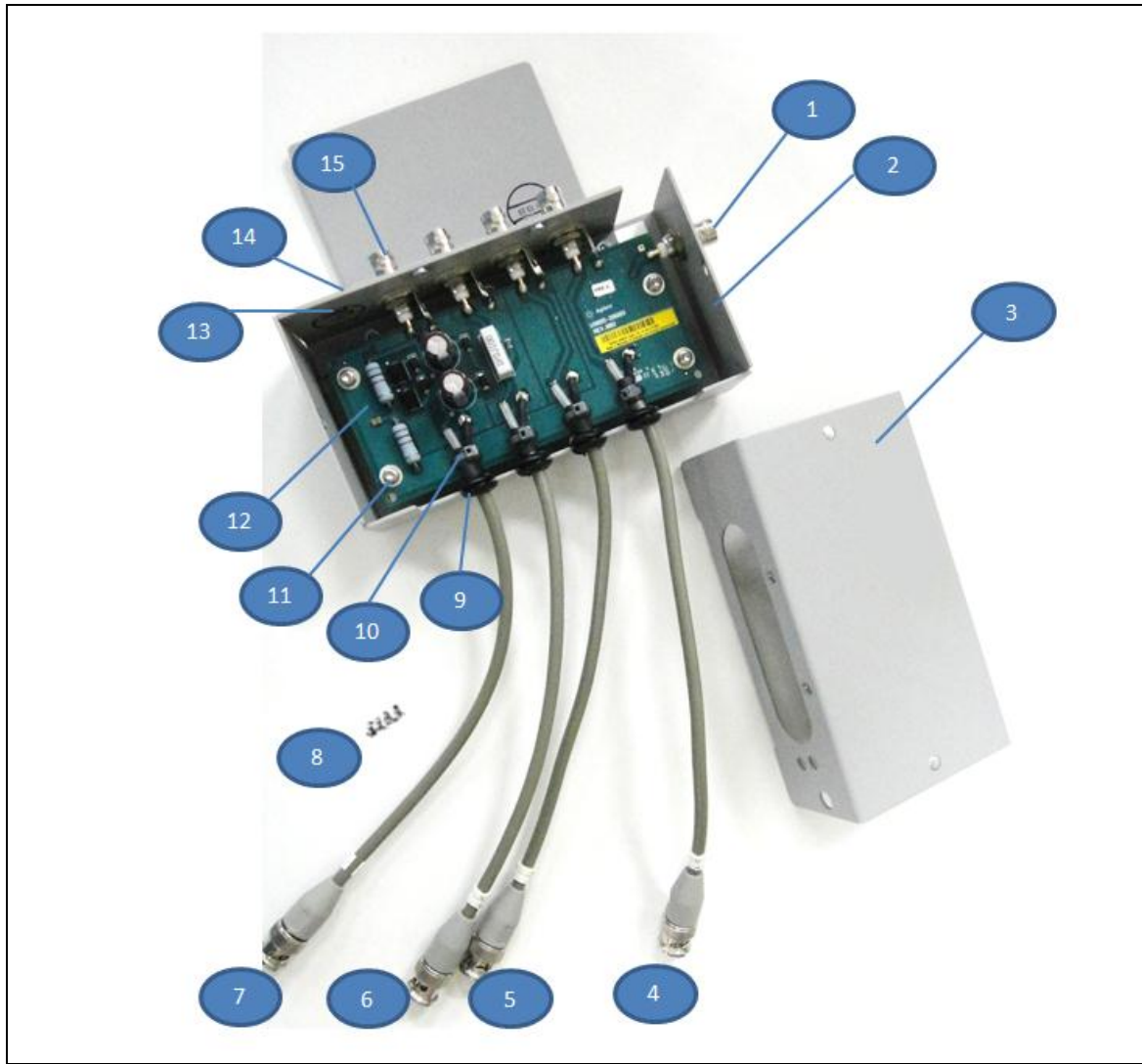


Figure 2-2

Table 2-2: Replaceable Mechanical Parts

Ref/D	Part Number	Qty.	Description
2	16065-04602	1	Chassis
8	0515-1946	4	Screw
	0403-0427	6	Bumper Foot



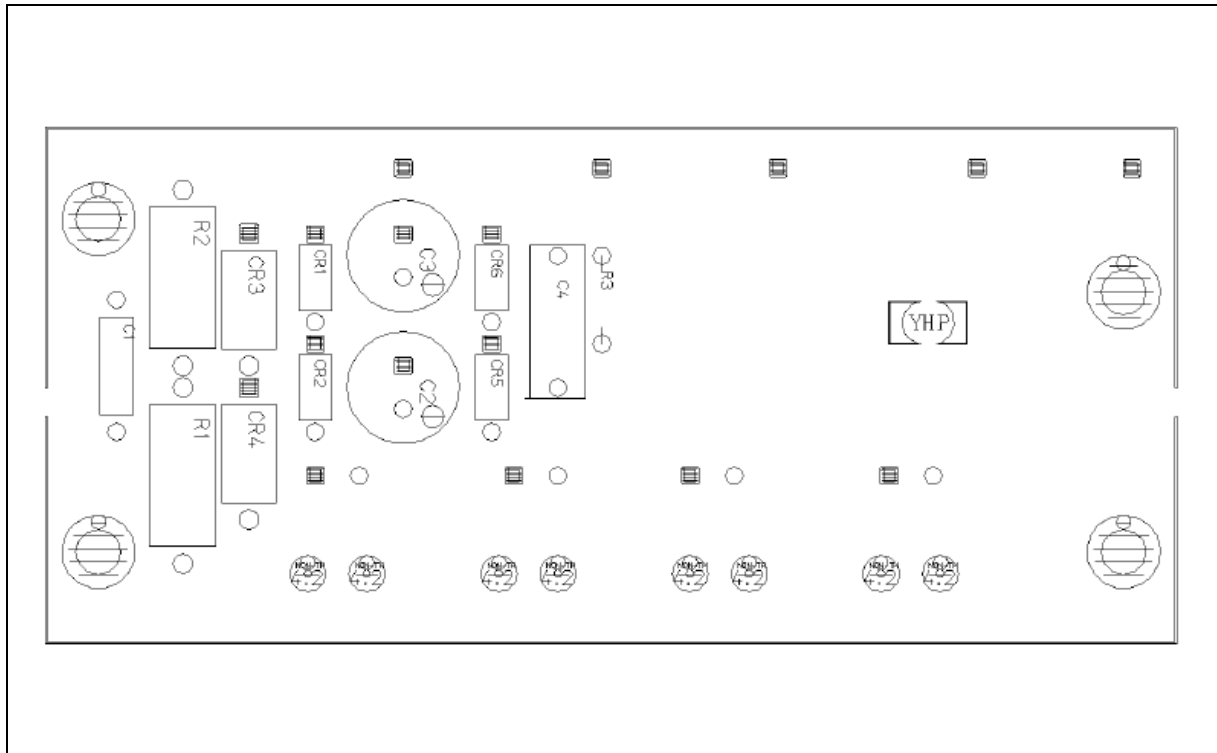


Figure 2-3

Table 2-3: Replaceable Parts

Ref/D	Part Number	Qty.	Description
A1	<del>16065-66603</del> <sup>1</sup> 16065C	1	<del>PC BOARD ASSEMBLY</del> External Bias Adapter

**Remarks:**

Component replacement which requires RoHS soldering is not supported. Replace the whole PC board assembly.

<sup>1</sup> Replace with 16065C as the 16065-66603 would require soldering.

**Revision History:**

Service note Revision	Date	Author	Reason For Change
16065C-01	May 5 <sup>th</sup> , 2013	LS	As published
16065C-01A	May 30 <sup>th</sup> , 2013	LS	Changed support part from 16065-60370 to 16065C due to increasing costs of 16065-60370.
16065C-01B	Aug 29 <sup>th</sup> , 2014	LS	Updated RoHS Compliant Replacement Part PN in Table 1-2 (Item 12), Table 1-3 (Item A1)