

INFORMATION ONLY

16196A-01A

S E R V I C E N O T E

Supersedes:
16196A-01

16196A Parallel Electrode SMD Test Fixture, DC to 3 GHz

Serial Numbers: Non-RoHS Fixture “MY43100001 – MY43200366”,
“SG43100001 – SG43200366”

OR

RoHS Fixture “MY43200367 – MY43299999”
“SG43200367 – SG43299999”

This service note provides the updated part numbers and figures for both RoHS and non-RoHS 16196A Parallel Electrode SMD Test Fixture, DC to 3 GHz.

Parts Required:

Details refer to table 1-1, 1-2, 1-3 shown below.

ADMINISTRATIVE INFORMATION

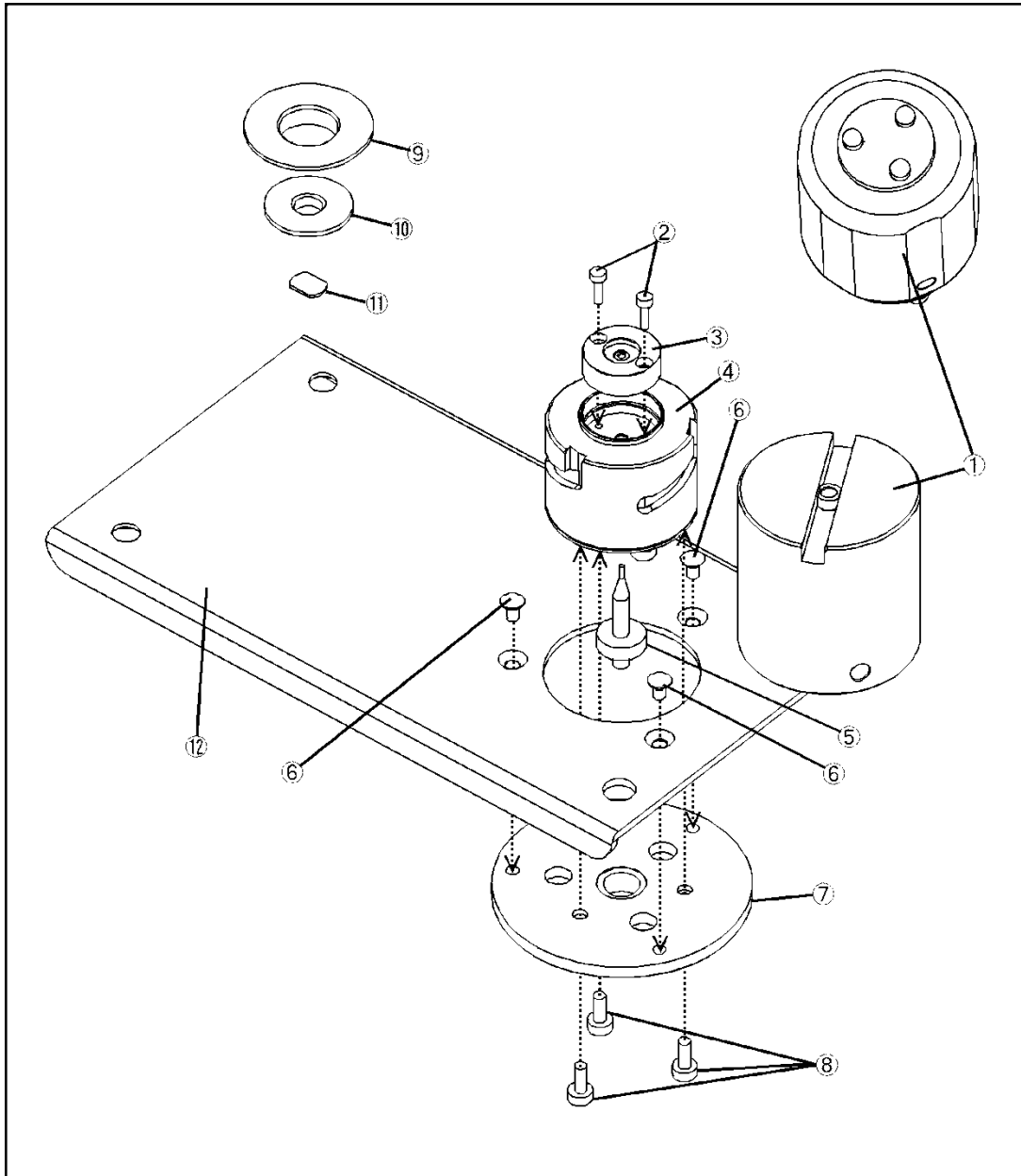
SERVICE NOTE CLASSIFICATION:	
INFORMATION ONLY	
<input type="checkbox"/> Calibration Required	PRODUCT LINE: WN
<input checked="" type="checkbox"/> Calibration NOT Required	AUTHOR: LS
ADDITIONAL INFORMATION: Support part information for 16196A Parallel Electrode SMD Test Fixture, DC to 3 GHz	

Situation:

For both RoHS and non-RoHS 16196A Parallel Electrode SMD Test Fixture, DC to 3 GHz

Solution/Action:

Shown are the support parts for RoHS and non-RoHS compliance 16196A Parallel Electrode SMD Test Fixture, DC to 3 GHz. All the listed items are changed at RoHS conversion. Due to limited availability of RoHS compliance station and technical difficulties in RoHS soldering, only parts and support level that do not require RoHS soldering are supported. Shown are the supported RoHS compliance parts for 16196A Parallel Electrode SMD Test Fixture, DC to 3 GHz.



16196abcdoj4006

Figure 1-1

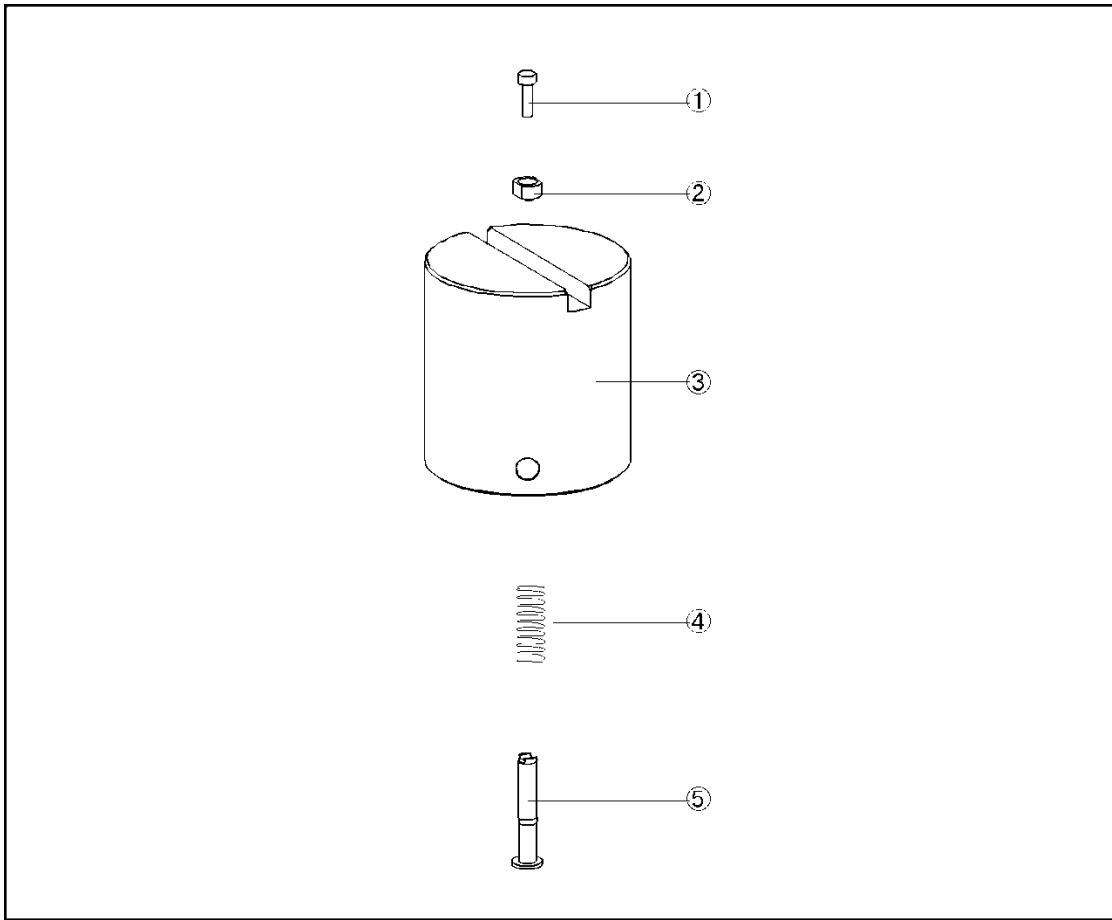
NOTE: For RoHS Compliant Upper Level Assembly Replacement Part, if multiple parts are replaced by a common higher assembly part, only order ONE part of the higher level common assembly.

Shown in table 1-1 are the original support part and its compatible RoHS replacement part/assembly.

Table 1-1:

Block Assembly

Ref/ D	Part Number	Description	Qty.	RoHS Compliant Replacement Part	Description	Qty.
1	16196-60010	Cap Assembly (for 16196A/B/C)	1	16196-60010	Cap Assembly (for 16196A/B/C)	1
2	0515-1044	Cap Screw Mach M1.6	2	0515-1044	Cap Screw Mach M1.6	2
3	16196-60112	φ1.34 Insulator (for 16196A)	1	16196-60112	φ1.34 Insulator (for 16196A)	1
	16196-60113	φ1.14 Insulator (for 16196A)	1	16196-60113	φ1.14 Insulator (for 16196A)	1
	16196-60114	φ1.08 Insulator (for 16196A)	1	16196-60114	φ1.08 Insulator (for 16196A)	1
4	N/A	Ground Assembly	1	N/A	Ground Assembly	1
5	16196-60111	Lower Electrode (for 16196A)	1	16196-60111	Lower Electrode (for 16196A)	1
6	0515-0954	Screw M-2.5	3	0515-2975	Screw M-2.5	3
7	16196-24001	Base	1	16196-24001	Base	1
8	0515-0905	Screw M-2.5	3	0515-1940	Screw M-2.5	3
9	16196-24004	Push Ring	1	16196-24004	Push Ring	1
10	16196-29002	Open Plate	1	16196-29002	Open Plate	1
11	16196-29026	Short Plate (for 16196A)	1	16196-29026	Short Plate (for 16196A)	1
12	16196-00601	Plate (for 16196A)	1	16196-00601	Plate (for 16196A)	1



16196abcoj0504

Figure 1-2

Table 1-2:

Cap for 16196A/B/C

Ref/ D	Part Number	Description	Qty.	RoHS Compliant Replacement Part	Description	Qty.
1	0515-1044	Screw Mach M1.6	1	0515-1044	Screw Mach M1.6	1
2	16196-24005	Stopper	1	16196-24005	Stopper	1
3	N/A	Cap	1	N/A	Cap	1
4	1460-2618	Spring	1	1460-2618	Spring	1
5	16196-23008	Upper Electrode	1	16196-23008	Upper Electrode	1

Table 1-3:
Other parts.

Ref/ D	Part Number	Description	Qty.	RoHS Compliant Replacement Part	Description	Qty.
1	16196-60150	Carrying Case (for 16196A)	1	16196-60150	Carrying Case (for 16196A)	1
2	16193-60002	Magnifying Glass	2	16193-60002	Magnifying Glass	2
3	5182-7586	Cleaning Rod	1	5182-7586	Cleaning Rod	1
4	8710-0909	Wrench 1.5 mm Hex	1	8710-0909	Wrench 1.5 mm Hex	1
5	8710-2081	Tweezers	1	8710-2081	Tweezers	1
6	1540-0622	Case for OPEN and SHORT plate	1	9300-2603	Case with Cap	1
7	9282-0114	Cushion	1	16196-25614	Cushion	1

Post replacement procedure.

After replacing the respective parts, check the operation of the parts with reference to "Operation Check." in 16196A operation and service manual.

Revision History:

Revision Number	Date	Author	Reason For Change
16196A-01	4 Apr 2013	LS	As published
16196A-01A	7-Aug-2014	jm	Add non-RoHS and RoHS serial-numbers