

# INFORMATION ONLY

# 16196B-01A

# S E R V I C E N O T E

Supersedes:  
16196B-01

## 16196B Parallel Electrode SMD Test Fixture, DC to 3 GHz

Serial Numbers: Non-RoHS Fixture “MY43100001 – MY43200332”,  
“SG43100001 – SG43200332”

OR

RoHS Fixture “MY43200333 – MY43299999”  
“SG43200333 – SG43299999”

**This service note provides the updated part numbers and figures for both  
RoHS and non-RoHS 16196B Parallel Electrode SMD Test Fixture, DC to 3 GHz**

### Parts Required:

Details refer to table 1-1, 1-2, 1-3 shown below.

## ADMINISTRATIVE INFORMATION

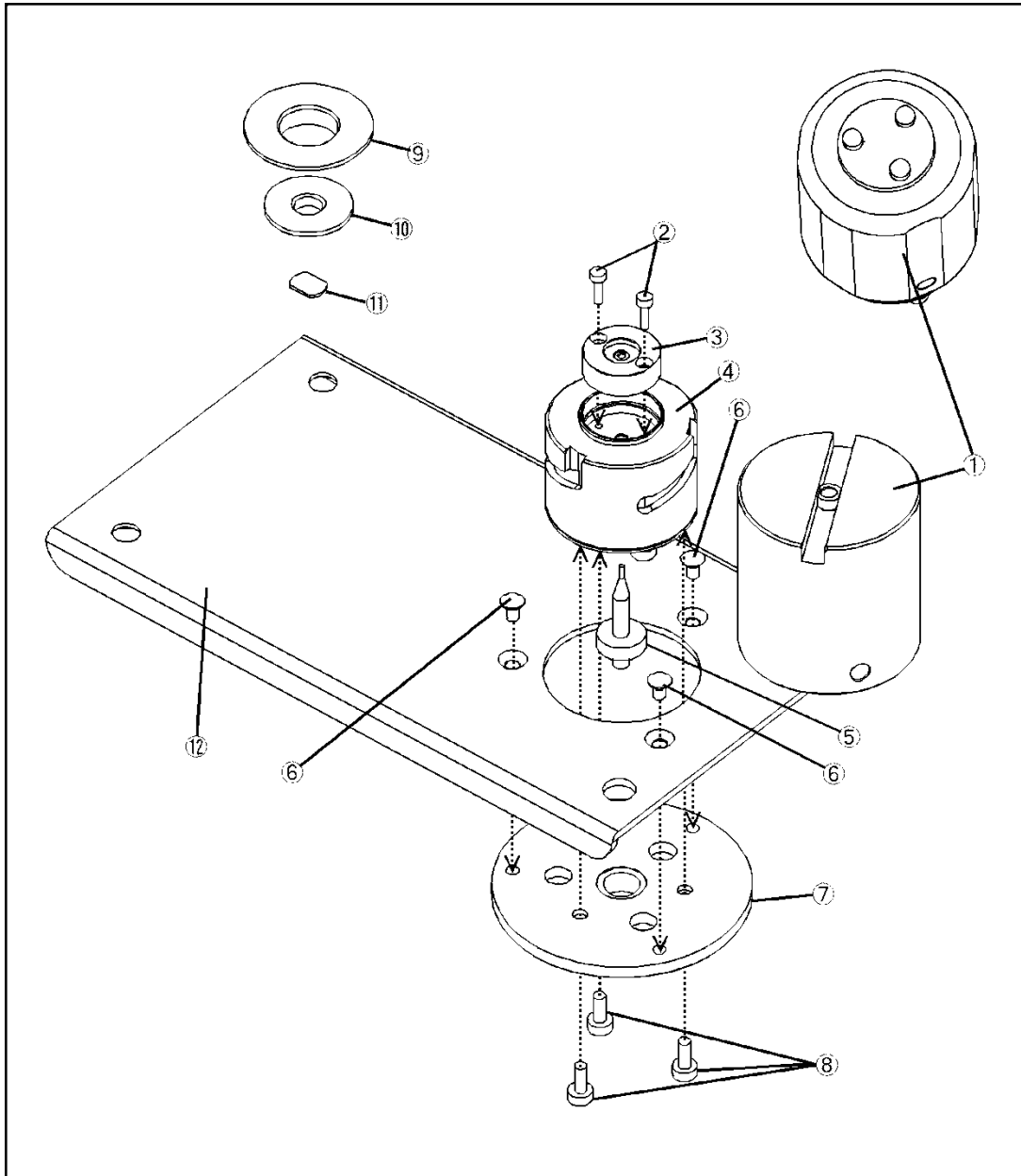
|  |                  |
|--|------------------|
| SERVICE NOTE CLASSIFICATION:   |                  |
| <b>INFORMATION ONLY</b>  |                  |
| <input type="checkbox"/> Calibration Required  | PRODUCT LINE: WN |
| <input checked="" type="checkbox"/> Calibration NOT Required   | AUTHOR: LS       |
| ADDITIONAL INFORMATION: Support part information for 16196B Parallel Electrode SMD Test Fixture, DC to 3 GHz |                  |

**Situation:**

**For both RoHS and non-RoHS 16196B Parallel Electrode SMD Test Fixture, DC to 3 GHz**

**Solution/Action:**

Shown are the support parts for RoHS and non-RoHS compliance 16196B Parallel Electrode SMD Test Fixture, DC to 3 GHz. All the listed items are changed at RoHS conversion. Due to limited availability of RoHS compliance station and technical difficulties in RoHS soldering, only parts and support level that do not require RoHS soldering are supported. Shown are the supported RoHS compliance parts for 16196B Parallel Electrode SMD Test Fixture, DC to 3 GHz



16196abcdoj4006

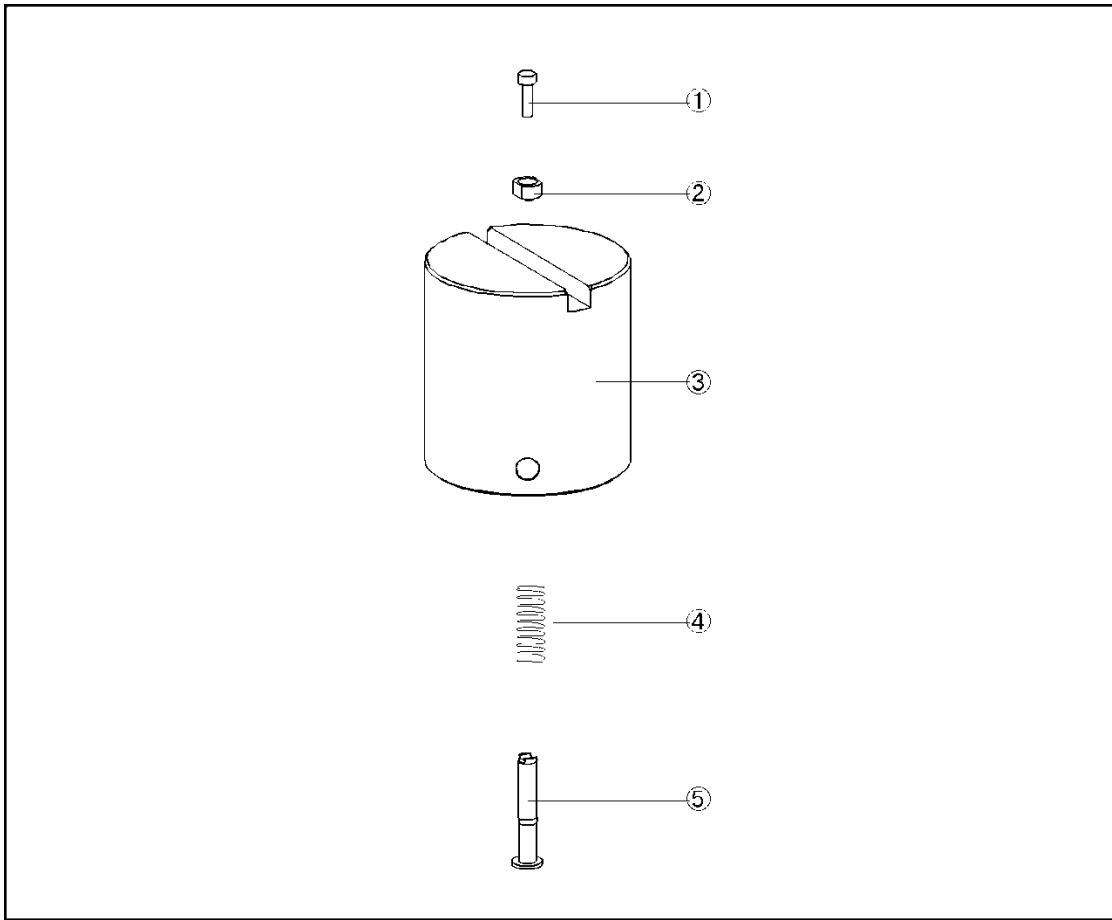
**Figure 1-1**

**NOTE: For RoHS Compliant Upper Level Assembly Replacement Part, if multiple parts are replaced by a common higher assembly part, only order ONE part of the higher level common assembly.**

Shown in table 1-1 are the original support part and its compatible RoHS replacement part/assembly.

**Table 1-1:**  
Block Assembly

| Ref/<br>D | Part Number | Description                   | Qty. | RoHS Compliant<br>Replacement Part | Description                   | Qty. |
|-----------|-------------|-------------------------------|------|------------------------------------|-------------------------------|------|
| 1         | 16196-60010 | Cap Assembly (for 16196A/B/C) | 1    | 16196-60010                        | Cap Assembly (for 16196A/B/C) | 1    |
| 2         | 0515-1044   | Cap Screw Mach M1.6           | 2    | 0515-1044                          | Cap Screw Mach M1.6           | 2    |
|           | 16196-60212 | φ0.85 Insulator (for 16196B)  | 1    | 16196-60212                        | φ0.85 Insulator (for 16196B)  | 1    |
|           | 16196-60213 | φ0.75 Insulator (for 16196B)  | 1    | 16196-60213                        | φ0.75 Insulator (for 16196B)  | 1    |
|           | 16196-60214 | φ0.68 Insulator (for 16196B)  | 1    | 16196-60214                        | φ0.68 Insulator (for 16196B)  | 1    |
| 4         | N/A         | Ground Assembly               | 1    | N/A                                | Ground Assembly               | 1    |
| 5         | 16196-60211 | Lower Electrode (for 16196B)  | 1    | 16196-60211                        | Lower Electrode (for 16196B)  | 1    |
| 6         | 0515-0954   | Screw M-2.5                   | 3    | 0515-2975                          | Screw M-2.5                   | 3    |
| 7         | 16196-24001 | Base                          | 1    | 16196-24001                        | Base                          | 1    |
| 8         | 0515-0905   | Screw M-2.5                   | 3    | 0515-1940                          | Screw M-2.5                   | 3    |
| 9         | 16196-24004 | Push Ring                     | 1    | 16196-24004                        | 16196-24004                   | 1    |
| 10        | 16196-29002 | Open Plate                    | 1    | 16196-29002                        | 16196-29002                   | 1    |
| 11        | 16196-29027 | Short Plate (for 16196B)      | 1    | 16196-29027                        | 16196-29027                   | 1    |
| 12        | 16196-00611 | Plate (for 16196B)            | 1    | 16196-00611                        | 16196-00611                   | 1    |



16196abcoj0504

Figure 1-2

Table 1-2:

Cap for 16196A/B/C

| Ref/<br>D | Part Number | Description     | Qty. | RoHS Compliant<br>Replacement Part | Description     | Qty. |
|-----------|-------------|-----------------|------|------------------------------------|-----------------|------|
| 1         | 0515-1044   | Screw Mach M1.6 | 1    | 0515-1044                          | Screw Mach M1.6 | 1    |
| 2         | 16196-24005 | Stopper         | 1    | 16196-24005                        | Stopper         | 1    |
| 3         | N/A         | Cap             | 1    | N/A                                | Cap             | 1    |
| 4         | 1460-2618   | Spring          | 1    | 1460-2618                          | Spring          | 1    |
| 5         | 16196-23008 | Upper Electrode | 1    | 16196-23008                        | Upper Electrode | 1    |

**Table 1-3:**  
Other parts.

| Ref/<br>D | Part Number | Description                   | Qty. | RoHS Compliant<br>Replacement Part | Description                | Qty. |
|-----------|-------------|-------------------------------|------|------------------------------------|----------------------------|------|
| 1         | 16196-60250 | Carrying Case (for 16196B)    | 1    | 16196-60250                        | Carrying Case (for 16196B) | 1    |
| 2         | 16193-60002 | Magnifying Glass              | 2    | 16193-60002                        | Magnifying Glass           | 2    |
| 3         | 5182-7586   | Cleaning Rod                  | 1    | 5182-7586                          | Cleaning Rod               | 1    |
| 4         | 8710-0909   | Wrench 1.5 mm Hex             | 1    | 8710-0909                          | Wrench 1.5 mm Hex          | 1    |
| 5         | 8710-2081   | Tweezers                      | 1    | 8710-2081                          | Tweezers                   | 1    |
| 6         | 1540-0622   | Case for OPEN and SHORT plate | 1    | 9300-2603                          | Case with Cap              | 1    |
| 7         | 9282-0114   | Cushion                       | 1    | 16196-25614                        | Cushion                    | 1    |

**Post replacement procedure.**

After replacing the respective parts, check the operation of the parts with reference to "Operation Check." in 16196B operation and service manual.

**Revision History:**

| Revision Number | Date       | Author | Reason For Change                    |
|-----------------|------------|--------|--------------------------------------|
| 16196B-01       | 4 Apr 2013 | LS     | As published                         |
| 16196B-01A      | 7-Aug-2014 | jm     | Add Non-RoHS and RoHS serial-numbers |