

INFORMATION ONLY

16196D-01A

S E R V I C E N O T E

Supersedes:
16196D-01A

16196D Parallel Electrode SMD Test Fixture, DC to 3 GHz

Serial Numbers: Non-RoHS Fixture “MY43100001 – MY45200319”,
“SG43100001 – SG45200319”

OR

RoHS Fixture “MY45200320 – MY45299999”
“SG45200320 – SG45299999”

**This service note provides the updated part numbers and figures for both
RoHS and non-RoHS 16196D Parallel Electrode SMD Test Fixture, DC to 3 GHz**

Parts Required:

Details refer to table 1-1, 1-2, 1-3 shown below.

ADMINISTRATIVE INFORMATION

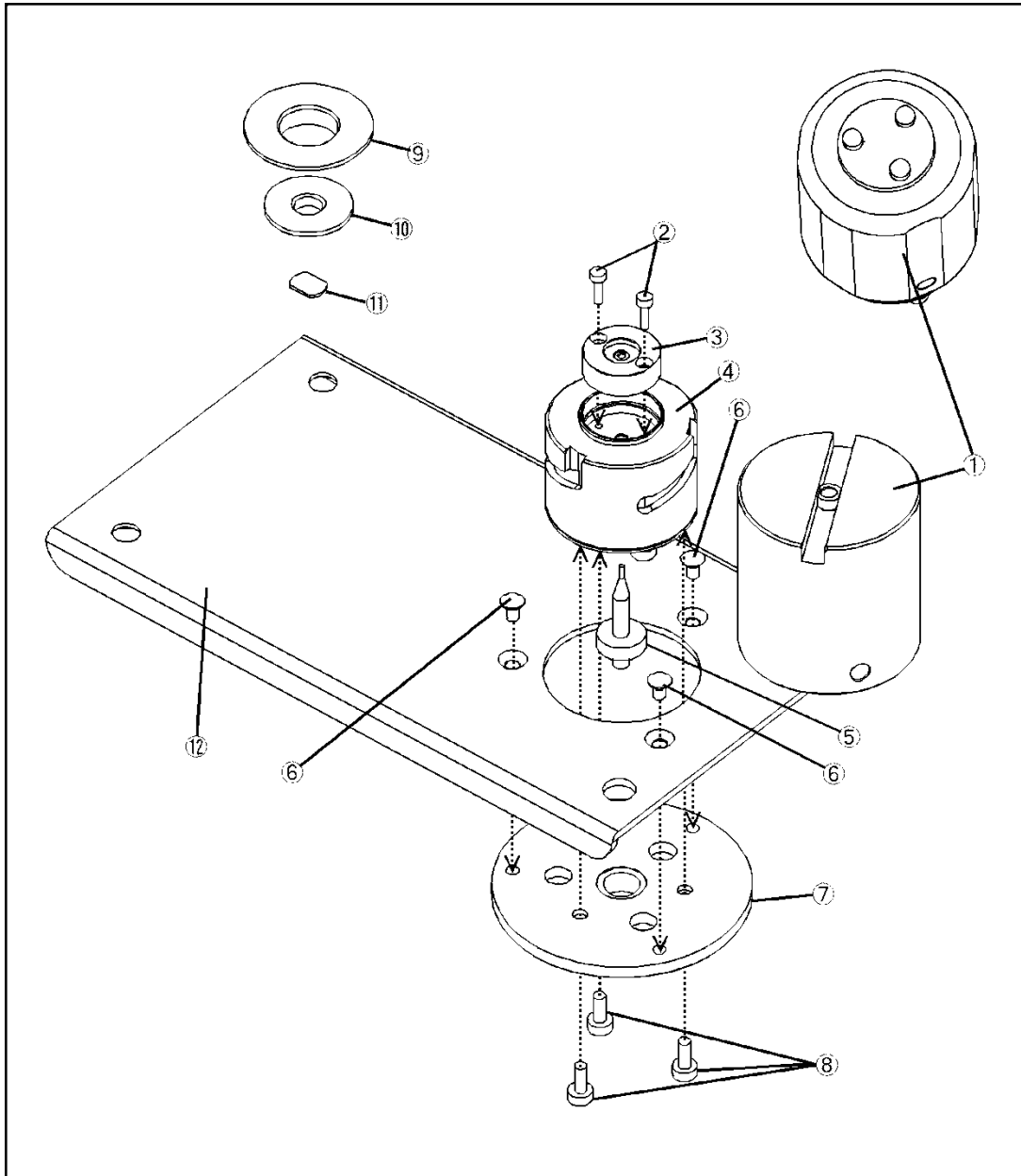
SERVICE NOTE CLASSIFICATION:	
INFORMATION ONLY	
<input type="checkbox"/> Calibration Required	PRODUCT LINE: WN
<input checked="" type="checkbox"/> Calibration NOT Required	AUTHOR: LS
ADDITIONAL INFORMATION: Support part information for 16196D Parallel Electrode SMD Test Fixture, DC to 3 GHz	

Situation:

For both RoHS and non-RoHS 16196D Parallel Electrode SMD Test Fixture, DC to 3 GHz

Solution/Action:

Shown are the support parts for RoHS and non-RoHS compliance 16196D Parallel Electrode SMD Test Fixture, DC to 3 GHz. All the listed items are changed at RoHS conversion. Due to limited availability of RoHS compliance station and technical difficulties in RoHS soldering, only parts and support level that do not require RoHS soldering are supported. Shown are the supported RoHS compliance parts for 16196D Parallel Electrode SMD Test Fixture, DC to 3 GHz.



16196abcdoj4006

Figure 1-1

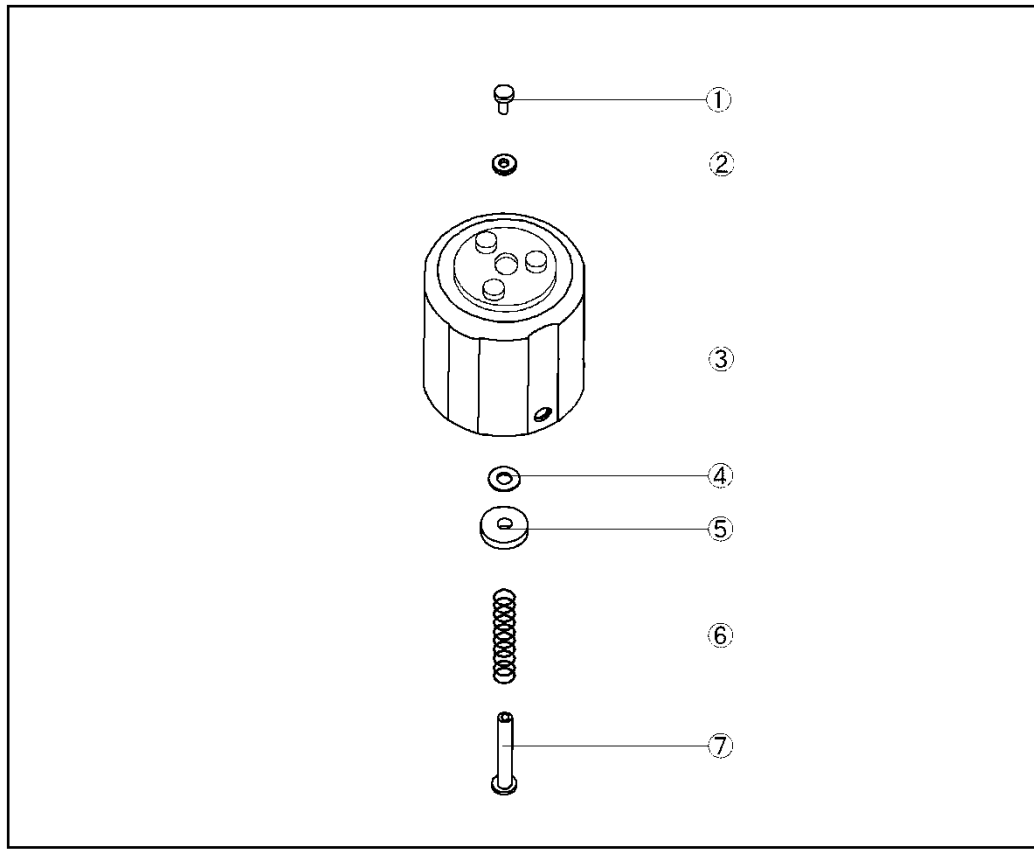
NOTE: For RoHS Compliant Upper Level Assembly Replacement Part, if multiple parts are replaced by a common higher assembly part, only order ONE part of the higher level common assembly.

Shown in table 1-1 are the original support part and its compatible RoHS replacement part/assembly.

Table 1-1:

Block Assembly

Ref/ D	Part Number	Description	Qty.	RoHS Compliant Replacement Part	Description	Qty.
1	16196-60020	Cap Assembly (for 16196D)	1	16196-60020	Cap Assembly (for 16196D)	1
2	0515-1044	Cap Screw Mach M1.6	2	0515-1044	Cap Screw Mach M1.6	2
3	16196-60412	φ0.34 Insulator (for 16196D)	1	16196-60412	φ0.34 Insulator (for 16196D)	1
	16196-60414	φ0.30 Insulator (for 16196D)	1	16196-60414	φ0.30 Insulator (for 16196D)	1
4	N/A	Ground Assembly	1	N/A	Ground Assembly	1
5	16196-60411	Lower Electrode (for 16196D)	1	16196-60411	Lower Electrode (for 16196D)	1
6	0515-0954	Screw M-2.5	3	0515-2975	Screw M-2.5	3
7	16196-24001	Base	1	16196-24001	Base	1
8	0515-0905	Screw M-2.5	3	0515-1940	Screw M-2.5	3
9	16196-24004	Push Ring	1	16196-24004	16196-24004	1
10	16196-29002	Open Plate	1	16196-29002	16196-29002	1
11	16196-65101	Short Plate (for 16196D)	1	16196-65101	16196-65101	1
12	16196-00632	Plate (for 16196D)	1	16196-00632	16196-00632	1



16196abcdoj4005

Figure 1-2

Table 1-2:
Cap for 16196D

Ref/D	Part Number	Description	Qty.	RoHS Compliant Replacement Part	Description	Qty.
1	0515-1077	Screw Mach M2	1	0515-1077	Screw Mach M2	1
2	3050-2238	Washer	1	3050-2238	Washer	1
3	N/A	Cap	1	N/A	Cap	1
4	3050-2241	Washer	1	3050-2241	Washer	1
5	3050-2239	Washer	1	3050-2239	Washer	1
6	1460-2618	Spring	1	1460-2618	Spring	1
7	16196-23043	Upper Electrode	1	16196-23043	Upper Electrode	1

Table 1-3:
Other parts.

Ref/ D	Part Number	Description	Qty.	RoHS Compliant Replacement Part	Description	Qty.
1	16196-60450	Carrying Case (for 16196D)	1	16196-60450	Carrying Case (for 16196D)	1
2	16193-60002	Magnifying Glass	2	16193-60002	Magnifying Glass	2
3	5182-7586	Cleaning Rod	1	5182-7586	Cleaning Rod	1
4	8710-0909	Wrench 1.5 mm Hex	1	8710-0909	Wrench 1.5 mm Hex	1
5	8710-2081	Tweezers	1	8710-2081	Tweezers	1
6	1540-0622	Case for OPEN and SHORT plate	1	9300-2603	Case with Cap	1
7	9282-0114	Cushion	1	16196-25614	Cushion	1

Post replacement procedure.

After replacing the respective parts, check the operation of the parts with reference to "Operation Check." in 16196D operation and service manual.

Revision History:

Revision Number	Date	Author	Reason For Change
16196D-01	4 Apr 2013	LS	As published
16196D-01A	7-Aug-2014	jm	Add Non-RoHS and RoHS serial-numbers