

INFORMATION ONLY

16197A-02A

S E R V I C E N O T E

Supersedes:
16197A-02

16197A Bottom Electrode SMD Test Fixture

**Serial Numbers: Non-RoHS Fixture “JP1KH00001 – JP1KH99999”,
“MY43100001 – MY43201091”,
“SG43100001 – SG43201091”**

OR

**RoHS Fixture “MY43201092 – MY43299999”
“SG43201092 – SG43299999”**

**This service note provides the updated part numbers and figures for both
RoHS and non-RoHS 16197A Bottom Electrode SMD Test Fixture**

Parts Required:

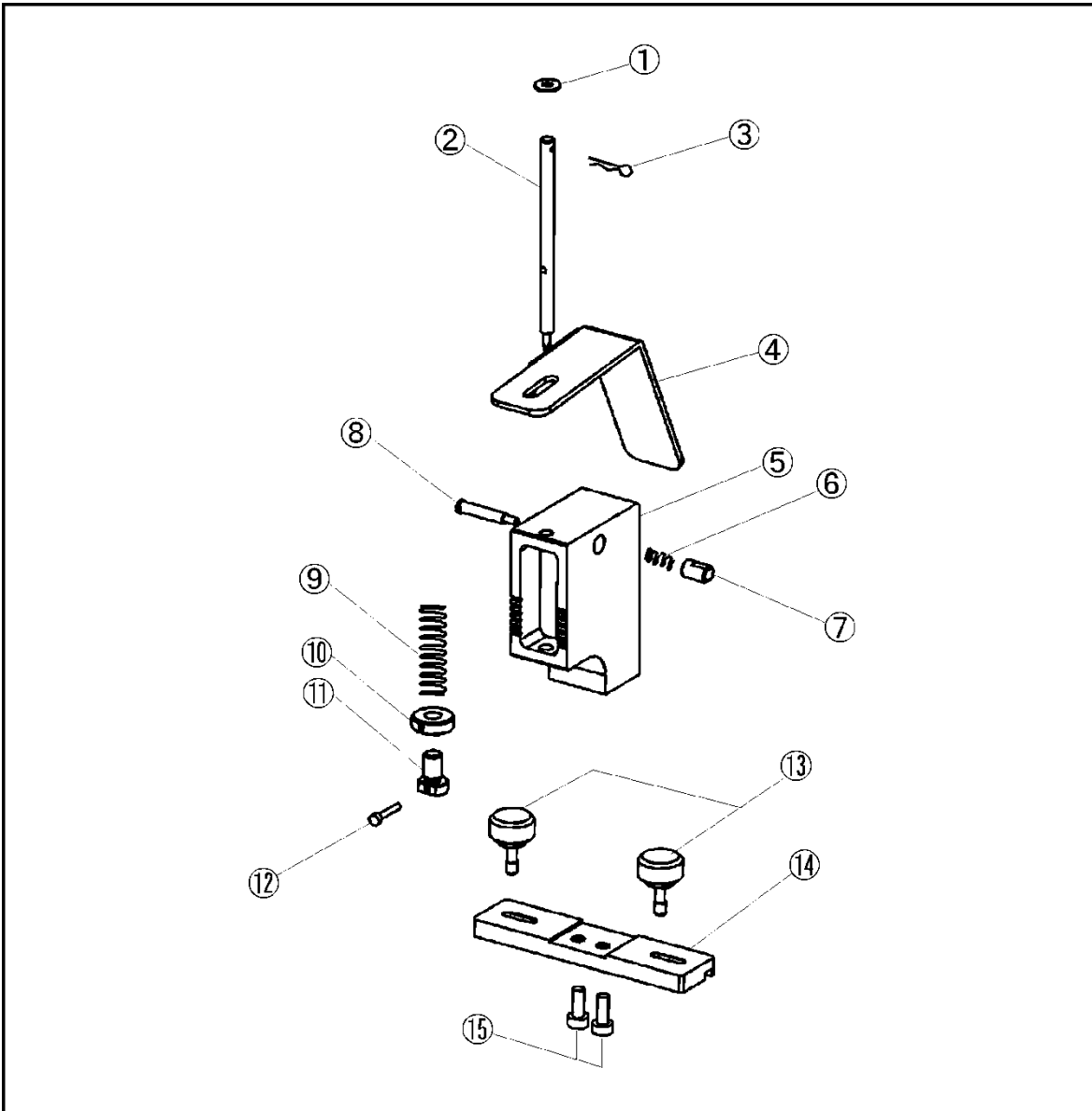
Details refer to table 1-1, 1-2, 1-3 shown below.

ADMINISTRATIVE INFORMATION

SERVICE NOTE CLASSIFICATION:	
INFORMATION ONLY	
<input type="checkbox"/> Calibration Required	PRODUCT LINE: WN
<input checked="" type="checkbox"/> Calibration NOT Required	AUTHOR: LS
ADDITIONAL INFORMATION: Support part information for 16197A Bottom Electrode SMD Test Fixture.	

Situation:**For both RoHS and non-RoHS 16197A Bottom Electrode SMD Test Fixture****Solution/Action:**

Shown are the support parts for RoHS and non-RoHS compliance 16197A Bottom Electrode SMD Test Fixture. All the listed items are changed at RoHS conversion. Due to limited availability of RoHS compliance station and technical difficulties in RoHS soldering, only parts and support level that do not require RoHS soldering are supported. Shown are the supported RoHS compliance parts for 16197A Bottom Electrode SMD Test Fixture.



16197aoj0601

Figure 1-1

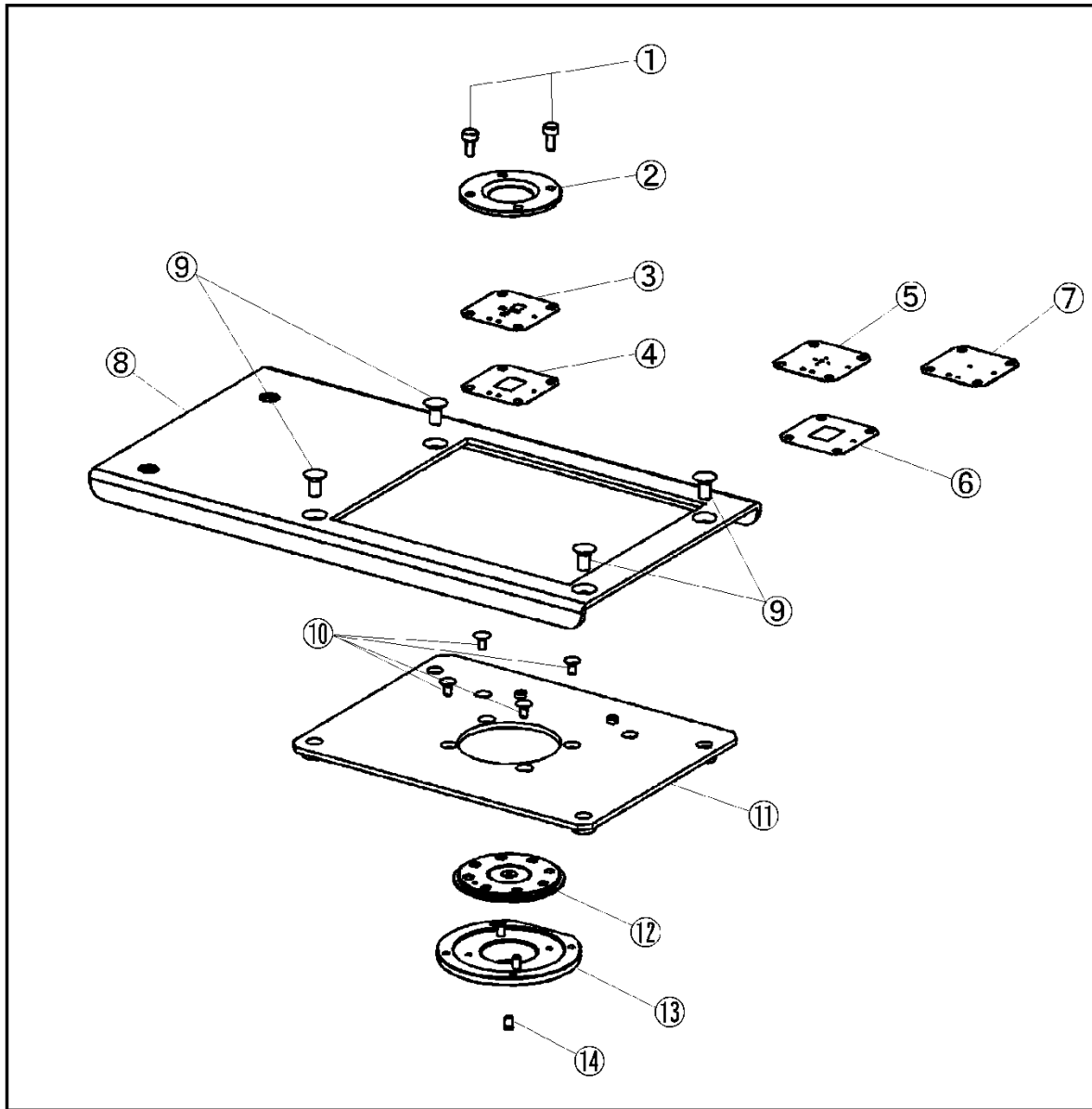
NOTE: For RoHS Compliant Upper Level Assembly Replacement Part, if multiple parts are replaced by a common higher assembly part, only order ONE part of the higher level common assembly.

Shown in table 1-1, 1-2, 1-3 are the original support part and its compatible RoHS replacement part/assembly.

Table 1-1:

Pressure unit

Ref/ D	Part Number	Description	Qty.	RoHS Compliant Replacement Part	Description	Qty.
1	3050-1138	Washer	1	3050-1138	Washer	1
2	16197-25002	Pressure rod	1	16197-25002	Pressure rod	1
3	1480-1093	R-pin	1	1480-1093	R-pin	1
4	16197-05001	Lever	1	16197-05001	Lever	1
5	N/A	Pressure unit	1	N/A	Pressure Unit	1
6	1460-2662	Spring	1	1460-2662	Spring	1
7	16197-23003	Shaft	1	16197-23003	Shaft	1
8	16197-23004	Shaft	1	16197-23004	Shaft	1
9	1460-2663	Spring	1	1460-2663	Spring	1
10	16197-24004	Pressure adjusting nut	1	16197-24004	Pressure adjusting nut	1
11	16197-24005	Screw	1	16197-24005	Screw	1
12	0515-1185	Screw	1	0515-1185	Screw	1
13	16197-24003	Knob	2	16197-24003	Knob	2
14	N/A	Sliding block	1	N/A	Sliding block	1
15	0515-1550	Screw M3	2	0515-0372	Screw M3	2



16197aoj0602

Figure 1-2

Table 1-2:
Electrode unit

Ref/ D	Part Number	Description	Qty.	RoHS Compliant Replacement Part	Description	Qty.
1	0515-1077	Screw M-2.0	2	0515-1077	Screw M-2.0	2
2	16197-25004	Guide holder	1	16197-25004	Guide holder	1
3	16197-25005	Device guide	1	16197-25005	Device guide	1
4	16197-00603	Electrode plate	1	16197-00603	Electrode plate	1
5	16197-25007	Device guide (for Option 001)	1	16197-25007	Device guide (for Option 001)	1
6	16197-00604	Electrode plate (for Option 001)	1	16197-00604	Electrode plate (for Option 001)	1
7	16197-25006	Device guide (blank)	1	16197-25006	Device guide (blank)	1
8	16197-00601	Plate	1	16197-00601	Plate	1
9	0515-0914	Screw M3 × 0.5	4	0515-1946	Screw M3 × 0.5	4
10	0515-0952	Screw M2 × 0.4	4	0515-2151	Screw M2 × 0.4	4
11	N/A	Plate	1	N/A	Plate	1
12	16197-60001	Contact assembly (including contact center)	1	16197-60001	Contact assembly (including contact center)	1
13	16197-24001	Flange	1	16197-24001	Flange	1
14	1250-0907	Contact center	1	1250-0907	Contact center	1

Table 1-3:
Other parts.

Ref/ D	Part Number	Description	Qty.	RoHS Compliant Replacement Part	Description	Qty.
1	16191-29005	Shorting bar 1.0 × 0.5	1	16191-29005	Shorting bar 1.0 × 0.5	1
2	16191-29006	Shorting bar 1.6 × 0.8	1	16191-29006	Shorting bar 1.6 × 0.8	1
3	16191-29007	Shorting bar 2.0 × 1.2	1	16191-29007	Shorting bar 2.0 × 1.2	1
4	16191-29008	Shorting bar 3.2 × 1.6	1	16191-29008	Shorting bar 3.2 × 1.6	1
5	16197-29001	Shorting bar (for Option Kit 001)	1	16197-29001	Shorting bar (for Option Kit 001)	1
6	8710-2081	Tweezers	1	8710-2081	Tweezers	1
7	8710-0909	Allen wrench	1	8710-0909	Allen wrench	1
8	16193-60002	Magnifying glass	1	16193-60002	Magnifying glass	1
9	16197-60050	Carrying case	1	16197-60050	Carrying case	1

Post Repair/ Replacement requirement.

Perform “Operation Check” in 16197A Operation and Service Manual each time a part is replaced.

Revision History:

Revision Number	Date	Author	Reason For Change
16197A-01	4 Apr 2013	LS	As published
16197A-01A	7-Aug-2014	jm	Add non-RoHS and RoHS serial-numbers