

16200B-01

S E R V I C E N O T E

Supersedes:
None

16200B External DC Bias Adapter

Serial Numbers:

Non-RoHS Fixture “MY43100001 – MY43199999, SG43100001 – SG43199999”

OR

RoHS Fixture “MY43200001 – MY43299999, SG43200001 – SG43299999”

This service note provides the updated part numbers and figures for both RoHS and non-RoHS 16200B External DC Bias Adapter

Parts Required:

Parts required depends on whether RoHS or non-RoHS 16200B is serviced.

Non- RoHS unit – Refer to [Situation 1](#)

RoHS unit – Refer to [Situation 2](#)

ADMINISTRATIVE INFORMATION

SERVICE NOTE CLASSIFICATION:	
INFORMATION ONLY	
<input type="checkbox"/> Calibration Required	PRODUCT LINE: WN
<input checked="" type="checkbox"/> Calibration NOT Required	AUTHOR: LS
ADDITIONAL INFORMATION: Support part information for non-RoHS and RoHS16200B External DC Bias Adapter	

© AGILENT TECHNOLOGIES, INC. 2012
PRINTED IN U.S.A.

September 11, 2012

Rev. 20



Situation 1:

For non-RoHS 16200B External DC Bias Adapter (S/N: MY431xxxxx, SG431xxxxx and below).

Solution/Action:

Shown are the supported parts and their respective RoHS compliant replacement support part. RoHS conversion involves with design and dimension change which result in the RoHS support part backward incompatible with non-RoHS 16200B. Special handling is needed while using the RoHS replacement part on non-RoHS 16200B. The original support part number is replaced by the respective "RoHS Compliant Replacement Part". Once the original support part is depleted, please proceed to obtain the RoHS compliant support part. Please refer to figure and table 1-1 for the respective replacement part accordingly.

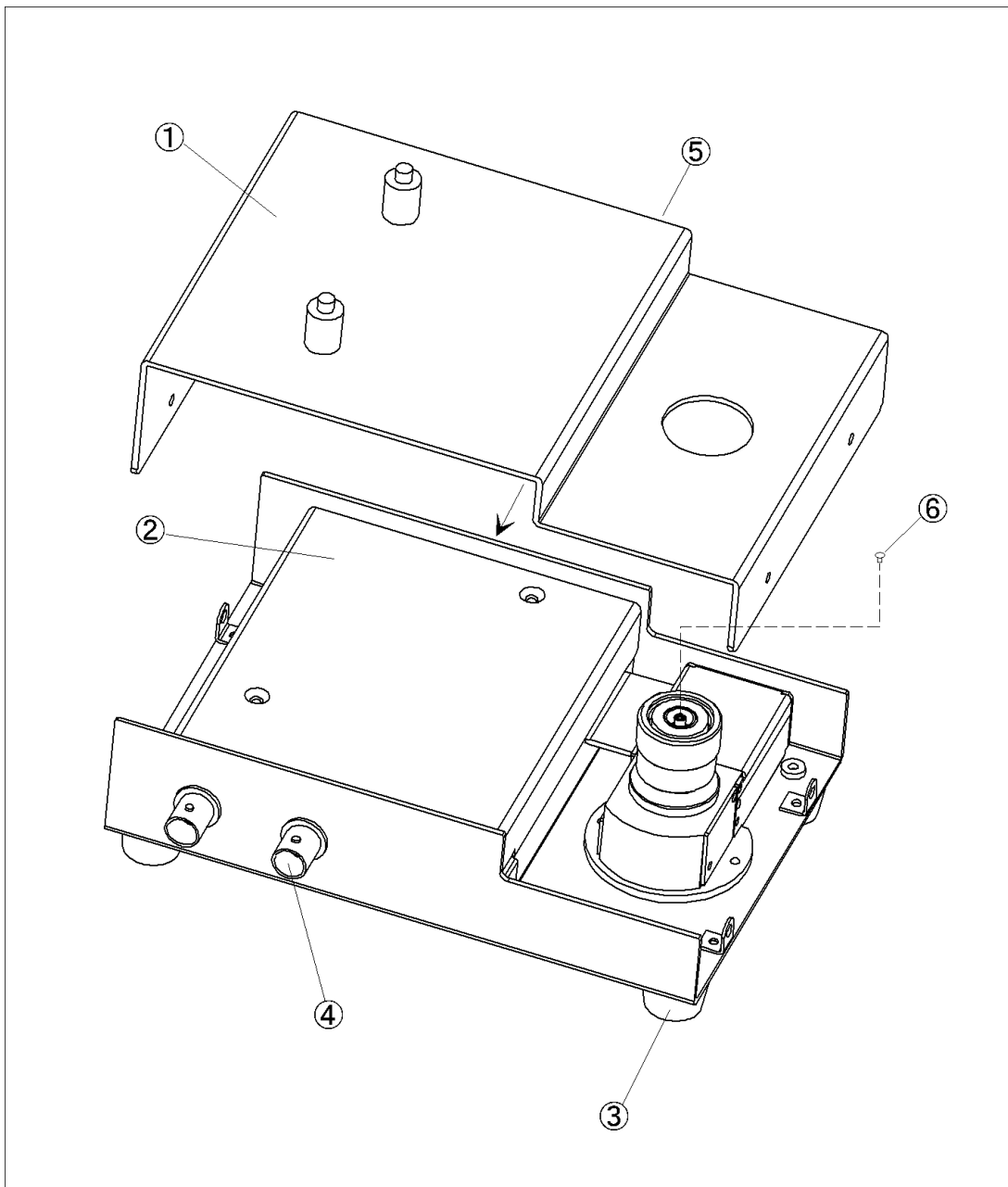


Figure 1-1

NOTE: For RoHS Compliant Upper Level Assembly Replacement Part, if multiple parts are replaced by a common higher assembly part, only order ONE part of the higher level common assembly.

Shown in table 1-1 are the original support part and its compatible RoHS replacement part/assembly.

Table 1-1:

Ref/D	Part Number	Qty.	Description	RoHS Compliant Replacement Part	Qty.
1	16200-00621	1	Top Cover	16200-00621	1
2	16200-65002	1	Body	16200-65002	1
3	0403-0786	4	Bumper Foot	0403-0786	4
4	1250-0083	2	Connector BNC (for "Ext DC Bias" and monitoring for DC Bias level)	1250-0083	2
5	2110-0565	1	Fuse Cover	2110-0565	1
	2110-0056	1	Fuse (6A)	2110-0056	1
6	1250-0907	1	CONTACT CENTER	1250-0907	1

Situation 2:

For RoHS 16200B External DC Bias Adapter for Axial and Radial Lead Components (S/N: MY432xxxxx, SG432xxxxx and above).

Solution/Action:

Shown are the support parts for RoHS compliance 16200B External DC Bias Adapter for Axial and Radial Lead Components. All the listed items are changed at RoHS conversion. Due to limited availability of RoHS compliance station and technical difficulties in RoHS soldering, only parts and support level that do not require RoHS soldering are supported. Shown are the supported RoHS compliance parts for RoHS 16200B External DC Bias Adapter for Axial and Radial Lead Components

Shown in table 2-1 and figure 2-1 are the respective support parts for RoHS compliance 16200B unit.

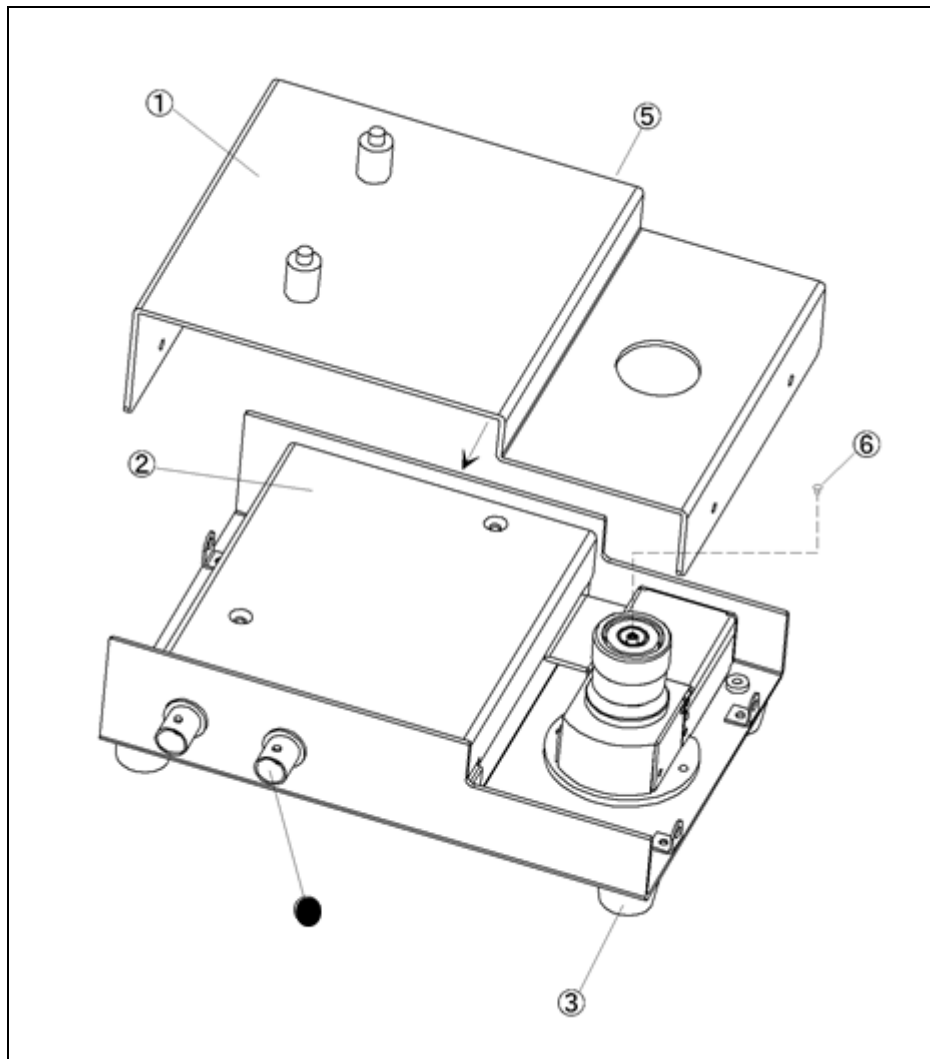


Figure 2-1

Table 2-1

Ref/D	Description	RoHS Compliant Replacement Part	Qty.
1	Top Cover	16200-00621	1
2	Body	16200-65002	1
3	Bumper Foot	0403-0786	4
4	-	<i>(Removed as RoHS soldering is not supported)</i>	-
5	Fuse Cover	2110-0565	1
	Fuse (6A)	2110-0056	1
6	CONTACT CENTER	1250-0907	1