

**16334A-01**

**S E R V I C E N O T E**

Supersedes:  
NONE

**16334A Test Fixture (Tweezers Contacts)**

**Serial Numbers: Non-RoHS Fixture “MY44100001 - MY44199999”**

**OR**

**RoHS Fixture “MY44200001 – MY44299999”**

**This service note provides the updated part numbers and figures for both RoHS and non-RoHS 16334A Test Fixture**

**Parts Required:**

Parts required depends on whether RoHS or non-RoHS 16334A is serviced.

**Non- RoHS unit** – Refer to [Situation 1](#)

**RoHS unit** – Refer to [Situation 2](#)

**ADMINISTRATIVE INFORMATION**

SERVICE NOTE CLASSIFICATION:	
<b>INFORMATION ONLY</b>	
<input type="checkbox"/> Calibration Required	PRODUCT LINE: WN
<input checked="" type="checkbox"/> Calibration NOT Required	AUTHOR: LS
ADDITIONAL INFORMATION: Support part information for non-RoHS and RoHS 16334A Test Fixture (Tweezers Contacts)	

© AGILENT TECHNOLOGIES, INC. 2013  
PRINTED IN U.S.A.

April 9, 2013

Rev. 21

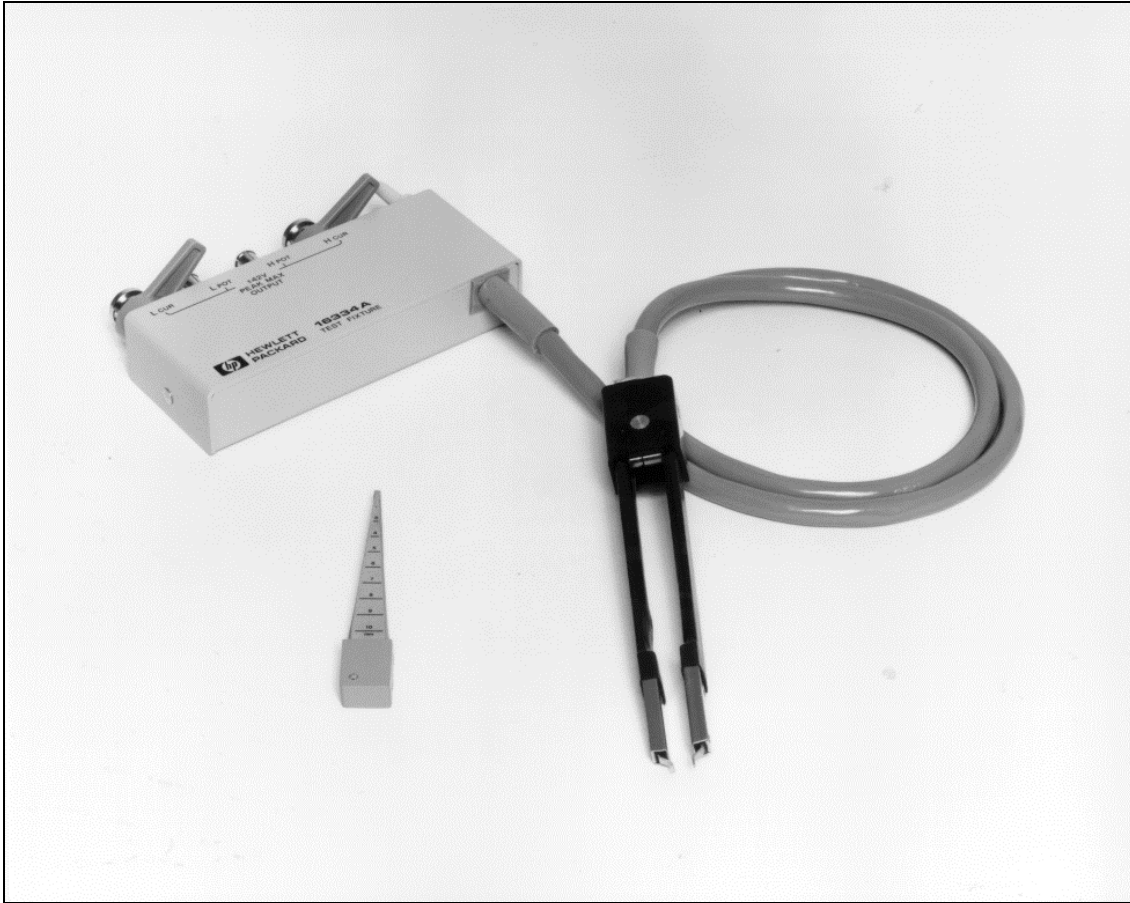


**Situation 1:**

**For non-RoHS 16334A Test Fixture (S/N: MY441xxxxx and below).**

**Solution/Action:**

Shown are the supported parts and their respective RoHS compliant replacement support part. RoHS conversion involves with design and dimension change which result in the RoHS support part backward incompatible with non-RoHS 16334A Test Fixture. Special handling is needed while using the RoHS replacement part on non-RoHS 16334A. The original support part number is replaced by the respective "RoHS Compliant Replacement Part". Once the original support part is depleted, please proceed to obtain the RoHS compliant support part. Please refer to table 1-1, 1-2 and figure 1-1, 1-2 for the respective replacement part accordingly.



**Figure 1-1**

**Table 1-1:**

Description	RoHS Compliant Replacement Part
Compensation Block	16334-60001
Tweezer Tip	16334-09002 (1ea.)

**NOTE: For RoHS Compliant Upper Level Assembly Replacement Part, if multiple parts are replaced by a common higher assembly part, only order ONE part of the higher level common assembly.**

Shown in table 1-1 and 1-2 are the original support part and its compatible RoHS replacement part/assembly.

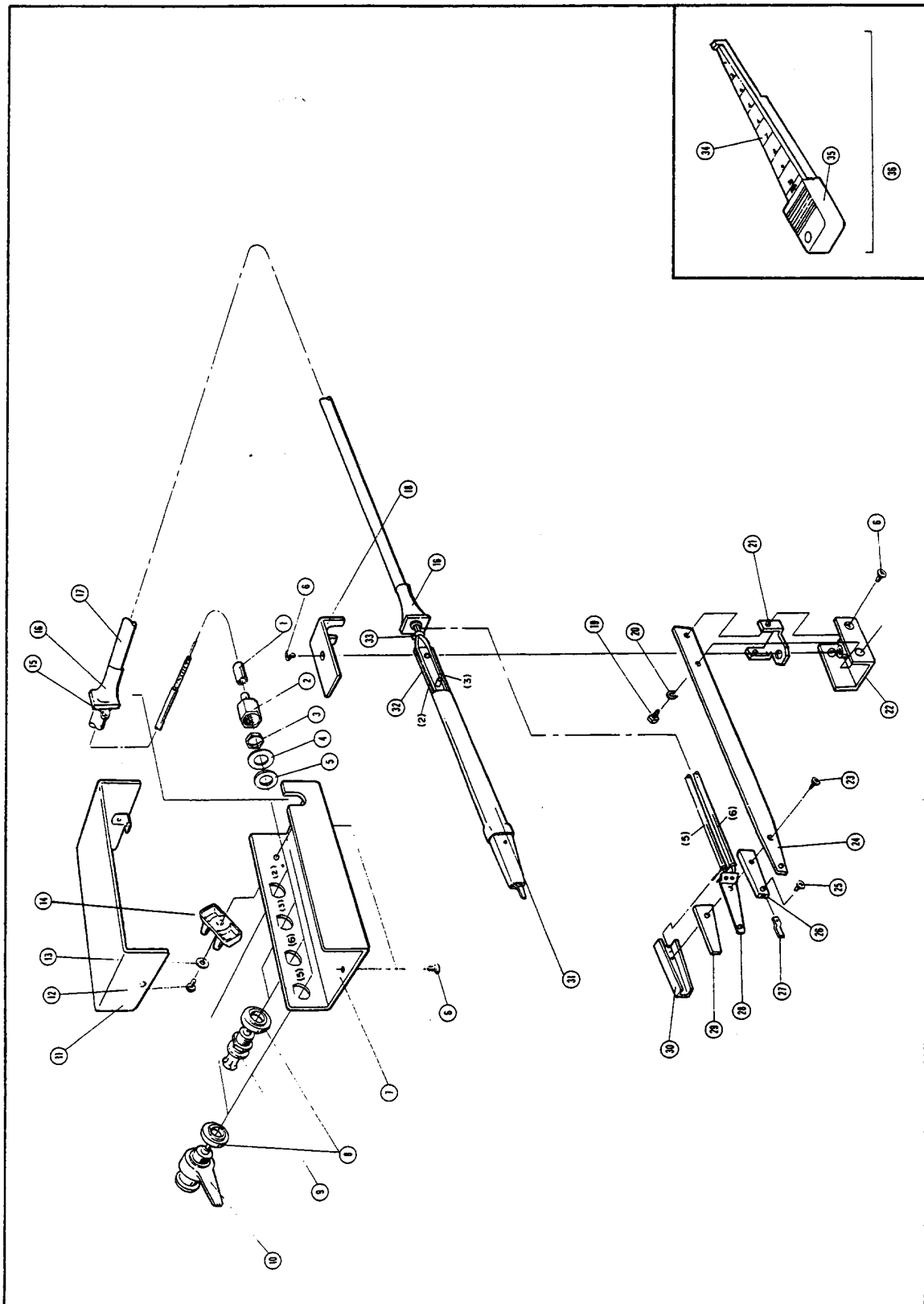


Figure 1-2

Table 1-2:

Ref/D	Part Number	Description	Qty.	RoHS Compliant Replacement Part	Description	Qty.
1	* (1)	SLEEVE-METAL	4	* (1)	SLEEVE-METAL	4
2	* (1)	NUT	4	* (1)	NUT	4
3	* (1)	NUT	4	* (1)	NUT	4
4	* (1)	WASHER	4	* (1)	WASHER	4
5	* (1)	WASHER	4	* (1)	WASHER	4
6	0515-0914	SCREW	7	0515-1946	SCREW	7
7	* (1)	COVER-BOTTOM	1	* (1)	COVER-BOTTOM	1
8	* (1)	INSULATOR	4	* (1)	INSULATOR	4
9	* (1)	CONNECTOR-BNC	2	* (1)	CONNECTOR-BNC	2
10	* (1)	BNC-ASSY	2	* (1)	BNC-ASSY	2
11	16334-04001	COVER-TOP	1	16334-04601	COVER-TOP	1
12	0515-1550	SCREW	1	<i>RoHS unit doesn't have the STOPPER</i>	-	-
13	2190-0206	WASHER	1	<i>RoHS unit doesn't have the STOPPER</i>	-	-
14	16047-40000	STOPPER	1	<i>RoHS unit doesn't have the STOPPER</i>	-	-
15	1400-0719 (1400-3284)	CABLE-TIE	2	1400-3284	CABLE-TIE	2
16	16334-40003	CABLE BUSHING	2	16334-40003	CABLE BUSHING	2
17	* (1)	CABLE	105.5cm	* (1)	CABLE	105.5cm
18	16334-01202	ANGLE	1	16334-01202	ANGLE	1
19	16334-24002	SCREW	1	16334-24002	SCREW	1
20	2190-0584	WASHER	1	2190-0584	WASHER	1
21	16334-01213 (2)	BRACKET	1	16334-01213 (2)	BRACKET	1
22	16334-01211 (2)	BRACKET	1	16334-01211 (2)	BRACKET	1
23	0515-1873	SCREW	2	0515-5023	SCREW	2
24	16334-00612	ARM PLATE (marked L)	1	16334-00612	ARM PLATE (marked L)	1
25	0515-1872	MACHINE SCREW	2	0515-1872	MACHINE SCREW	2
26	16334-40001	INSULATOR	2	16334-40001	INSULATOR	2
27	16334-09002	CONTACT (TWEEZER TIP)	2	16334-09002	CONTACT (TWEEZER TIP)	2
28	16334-09001	CONTACT	2	16334-09001	CONTACT	2
29	16334-09003	SPACER	2	16334-09003	SPACER	2
30	16334-00601	SHIELD	2	16334-00601	SHIELD	2
31	0890-0273	TUBE, HEAT SHRINKABLE	2x8.5cm	0890-0273	TUBE, HEAT SHRINKABLE	2x8.5cm
32	16334-00613	ARM PLATE (marked H)	1	16334-00613	ARM PLATE (marked H)	1
33	1400-0249	CABLE TIE	2	1400-0249	CABLE TIE	2
1 thru 33	16334-60010	TEST FIXTURE	1	16334-60610	TEST FIXTURE	1

34	16334-00604	PLATE	1	16334-00604	PLATE	1
35	16334-40002	BASE	1	16334-40002	BASE	1
36	16334-60001	COMPENSATION BLOCK ASSY	1	16334-60001	COMPENSATION BLOCK ASSY	1
21	(OLD) 16334- 01203 (2)	BRACKET	1	16334-60610	TEST FIXTURE	1
22	(OLD) 16334- 01201 (2)	BRACKET	1	16334-60610	TEST FIXTURE	1

**Remarks:**

Note (1): Not separately replaceable. Order 16334-60010.

Note (2): For old designed (one screw) part, order the (OLD) part.

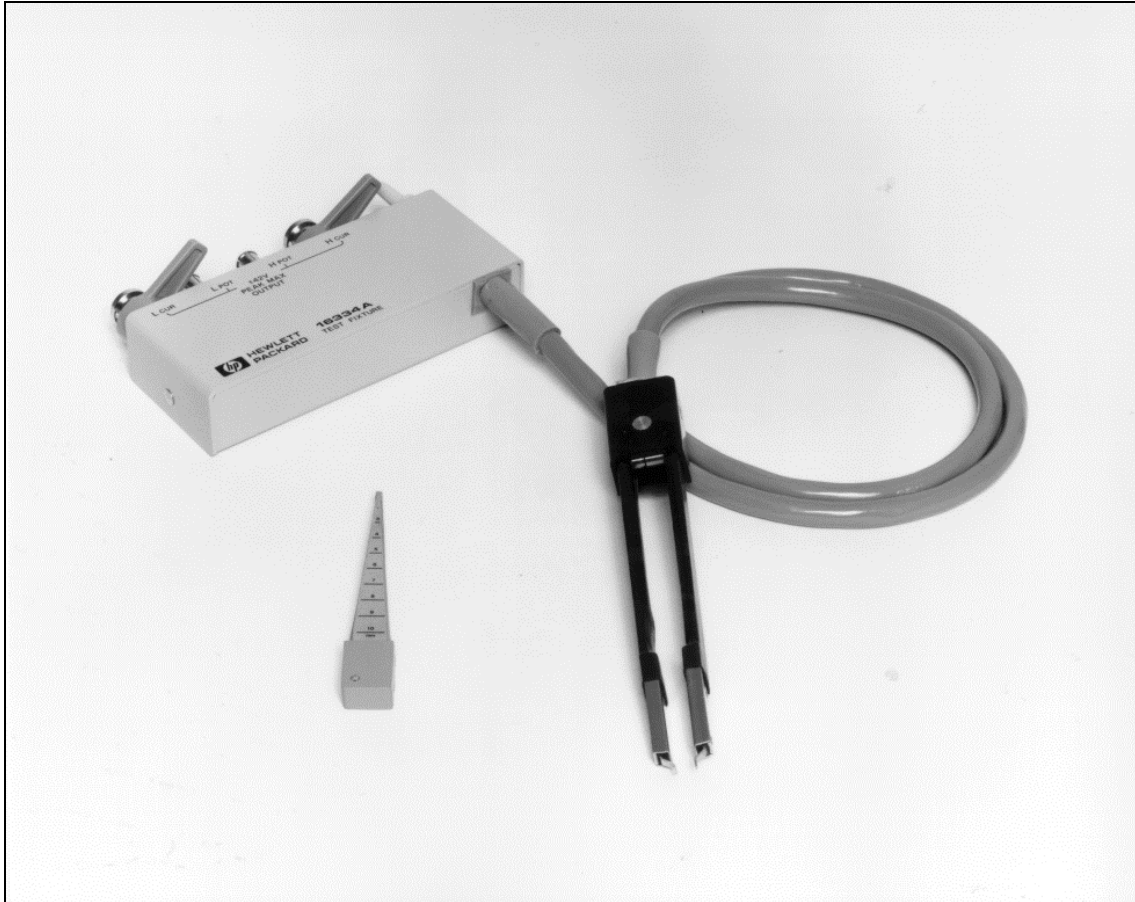
**Situation 2:**

**For RoHS 16334A Test Fixture (S/N: MY442xxxxx and above).**

**Solution/Action:**

Shown are the support parts for RoHS compliance 16334A Test Leads. All the listed items are changed at RoHS conversion. Due to limited availability of RoHS compliance station and technical difficulties in RoHS soldering, only parts and support level that do not require RoHS soldering are supported. Shown are the supported RoHS compliance parts for RoHS 16334A Test Leads.

Shown in table 2-1, 2-2 and figure 2-1, 2-2 are the respective support parts for RoHS compliance 16334A unit. Parts shown in table 2-1, 2-2 are replaceable parts for RoHS unit.



**Figure 2-1**

**Table 2-1:**

Description	RoHS Compliant Replacement Part
Compensation Block	16334-60001
Tweezer Tip	16334-09002 (1ea.)

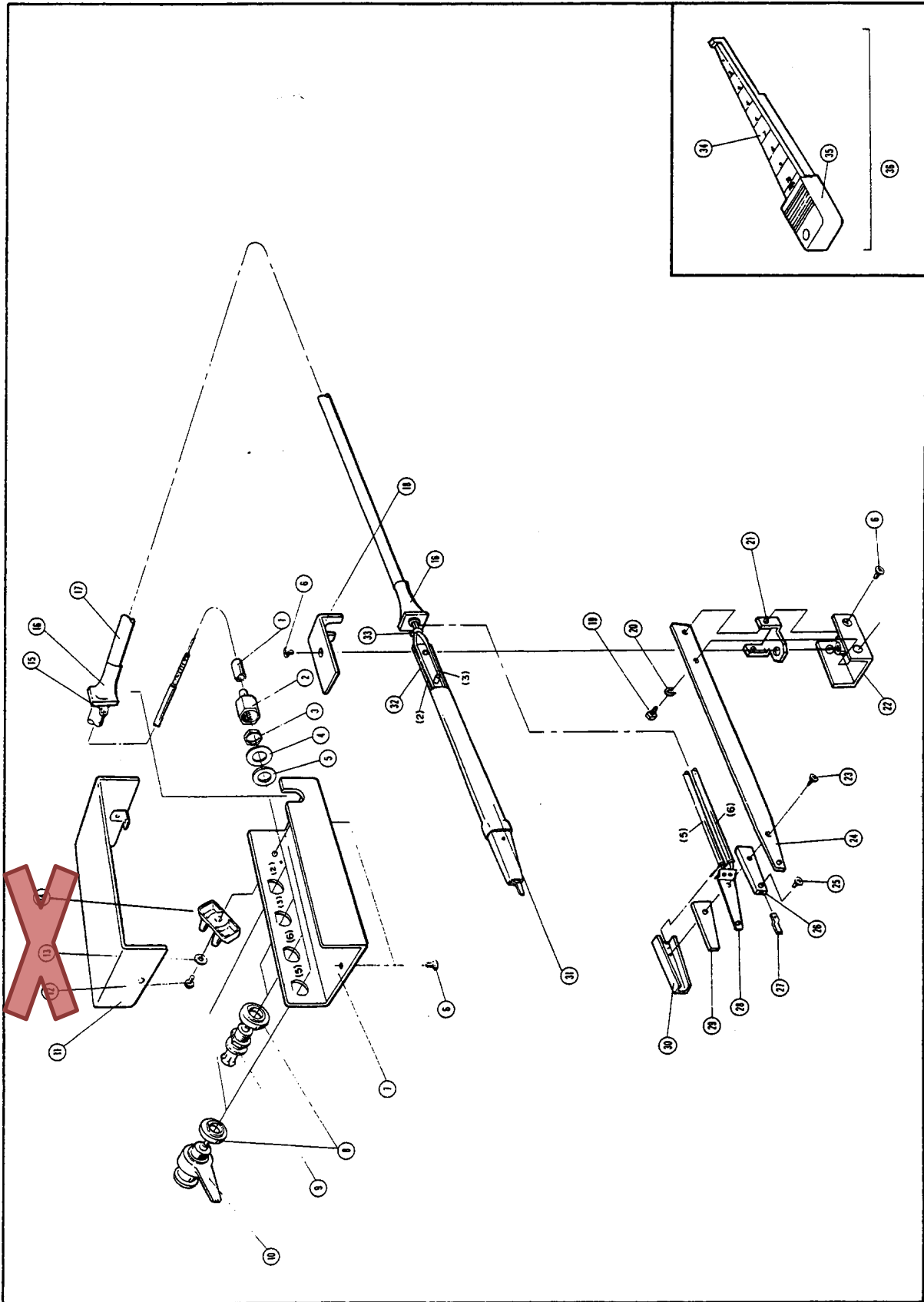


Table 2-2:

Ref/D	Part Number	Qty.	Description
1	* (1)	1	SLEEVE-METAL
2	* (1)	4	NUT
3	* (1)	4	NUT
4	* (1)	4	WASHER
5	* (1)	4	WASHER
6	0515-1946	7	SCREW
7	* (1)	1	COVER-BOTTOM
8	* (1)	4	INSULATOR
9	* (1)	2	CONNECTOR-BNC
10	* (1)	2	BNC-ASSY
11	16334-04601	1	COVER, TOP
12	-	-	<i>(RoHS unit doesn't have the STOPPER)</i>
13	-	-	<i>(RoHS unit doesn't have the STOPPER)</i>
14	-	-	<i>(RoHS unit doesn't have the STOPPER)</i>
17	* (1)	105.5cm	CABLE
18	16334-01202	1	ANGLE
19	16334-24002	1	SCREW
20	2190-0584	1	WASHER
21	16334-01213 (2)	1	BRACKET
22	16334-01211 (2)	1	BRACKET
23	0515-5023	2	SCREW
24	16334-00612	1	ARM PLATE (marked L)
25	0515-1872	2	MACHINE SCREW
26	16334-40001	2	INSULATOR
27	16334-09002	2	CONTACT (TWEEZER TIP)
29	16334-09003	2	SPACER
1thru33	16334-60610	1	TEST FIXTURE
34	16334-00604	1	PLATE
35	16334-40002	1	BASE
36	16334-60001	1	COMPENSATION BLOCK ASSY

**Remarks:**

Note (1): Not separately replaceable. Order 16334-60010.

Note (2): For old designed (one screw) part, order the (OLD) part.

**Revision History:**

Revision Number	Date	Author	Reason For Change
1.0	9 Apr 2013	LS	As published