

16452A-01B

Information Only Service Note

Supersedes:
16452A-01A

16452A Liquid Test Fixture

Serial Numbers:	Non-RoHS Fixture	“JP44100001 – JP44299999”, “MY44100001 – MY44200319”, “SG44100001 – SG44200319”
		OR
	RoHS Fixture	“MY44200320 – MY44299999” “SG44200320 – SG44299999”

Manufacturing ID Number: NA

This service note provides the updated part numbers and figures for both RoHS and non-RoHS 16452A Liquid Test Fixture

Parts Required:

P/N Description Qty.

Details refer to Table 1-1, 1-2, 1-3 shown below

ADMINISTRATIVE INFORMATION

Calibration Required
 Calibration NOT Required

PRODUCT LINE: WN
AUTHOR: LS

ADDITIONAL INFORMATION: **Support part information for 16452A Liquid Test Fixture.**

Situation:

For both RoHS and non-RoHS 16452A Liquid Test Fixture.

Solution/Action:

Shown are the support parts for RoHS and non-RoHS compliance 16452A Liquid Test Fixture. All the listed items are changed at RoHS conversion. Due to limited availability of RoHS compliance station and technical difficulties in RoHS soldering, only parts and support level that do not require RoHS soldering are supported. Shown are the supported RoHS compliance parts for 16452A Liquid Test Fixture.

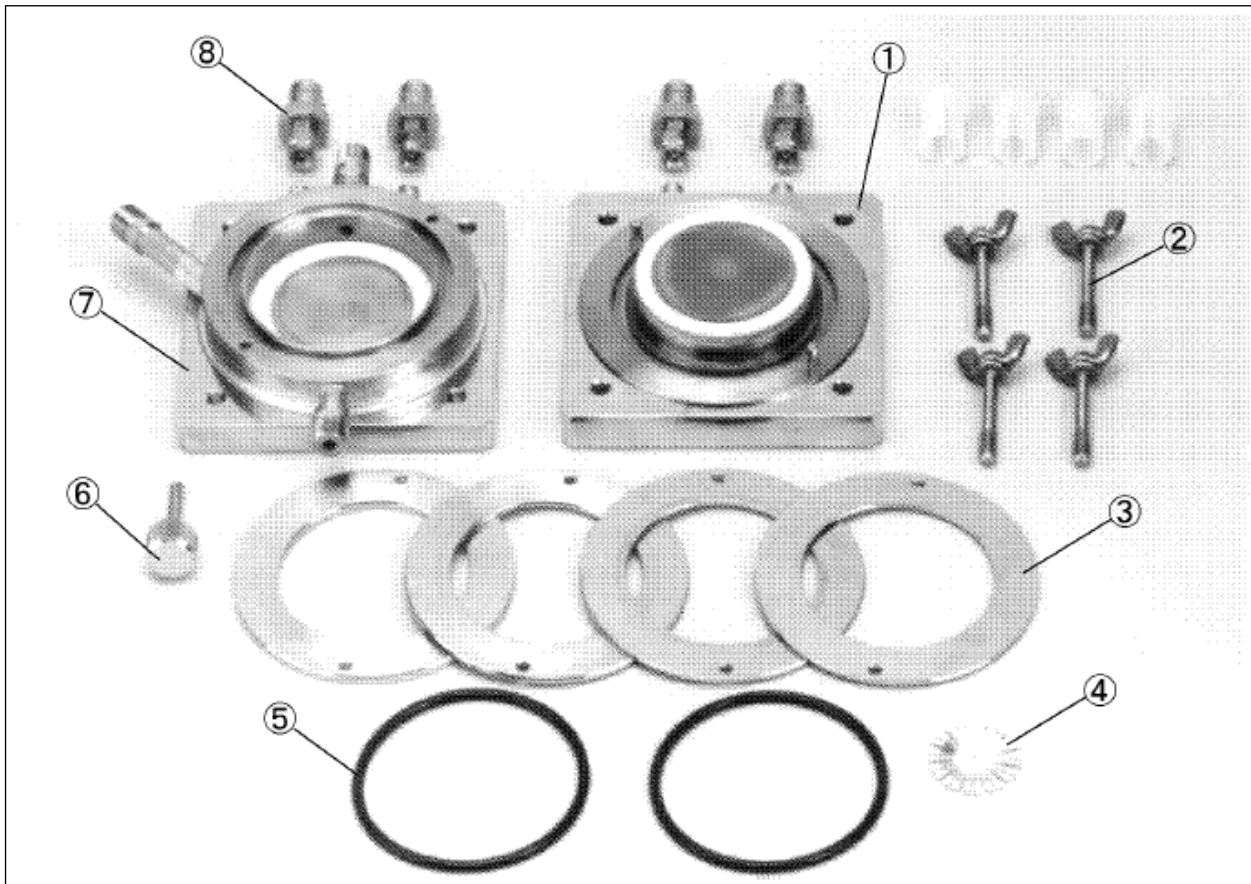


Figure 1-1

NOTE: For RoHS Compliant Upper Level Assembly Replacement Part, if multiple parts are replaced by a common higher assembly part, only order ONE part of the higher level common assembly.

For the original support part (Non-RoHS Compliant Replacement Part), when it is defective and the part status became Obsolete, replaced it by a common higher assembly part of RoHS Compliant Replacement Part.

Table 1-1 Replaceable Parts (Major Parts)

Ref/ D	Part Number	Description	Qty.	RoHS Compliant Replacement Part	Description	Qty.
1	16452-60002	Low Electrode Assembly	1	16452-60002	Low Electrode Assembly	1
2	16452-24001	Screw	4	16452-24001	Screw	4
3	16452-00601	Spacer, 1.3 mm (thickness) / 0.3 mm (gap)	1	16452-00601	Spacer, 1.3 mm (thickness) / 0.3 mm (gap)	1
	16452-00602	Spacer, 1.5 mm (thickness) / 0.5 mm (gap)	1	16452-00602	Spacer, 1.5 mm (thickness) / 0.5 mm (gap)	1
	16452-00603	Spacer, 2.0 mm (thickness) / 1.0 mm (gap)	1	16452-00603	Spacer, 2.0 mm (thickness) / 1.0 mm (gap)	1
	16452-00604	Spacer, 3.0 mm (thickness) / 2.0 mm (gap)	1	16452-00604	Spacer, 3.0 mm (thickness) / 2.0 mm (gap)	1
4	16092-08010	Shorting Plate	1	16092-08010	Shorting Plate	1
5	0905-1275	O Ring	2	0905-1275	O Ring	2
6	16452-24002	Lid of Liquid Outlet	1	16452-24002	Lid of Liquid Outlet	1
	0905-1277	O Ring for Lid	1	0905-1277	O Ring for Lid	1
7	16452-60001	High Electrode Assembly	1	16452-60001	High Electrode Assembly	1
8	1250-1200	SMA(m)-BNC(f) Adapter	4	1250-1200	SMA(m)-BNC(f) Adapter	4

Table 1-2 Replaceable Parts (Other Parts)

Ref/D	Part Number	Description	Qty.	RoHS Compliant Replacement Part	Description	Qty.
	16452-04001	Round Cover for Back of the Electrode	2	16452-60001/ 16452-60002	High Electrode Assembly/ Low Electrode Assembly	1
	0905-1276	Washer, Teflon	2	16452-60001/ 16452-60002	High Electrode Assembly/ Low Electrode Assembly	1
	0515-0994	Spacer	8	16452-60001/ 16452-60002	High Electrode Assembly/ Low Electrode Assembly	1
	1252-5831	Waterproof Cap for BNC Connector	4	1252-5831	Waterproof Cap for BNC Connector	4
	16452-01201	Angle Iron for the Stand	2	16452-01201	Angle Iron for the Stand	2
	16452-00611	Plate for the Stand Foot	1	16452-00611	Plate for the Stand Foot	1
	0515-0914	M3 Screw for the Stand	8	0515-0914	M3 Screw for the Stand	8
	16452-60101	Carrying Case	1	16452-60111	Carrying Case	1
	16452-90000	Operation and Service Manual	1	16452-90000	Operation and Service Manual	1

Remarks:

1. Replace the defective part with the respective upper assembly as RoHS soldering is not supported.

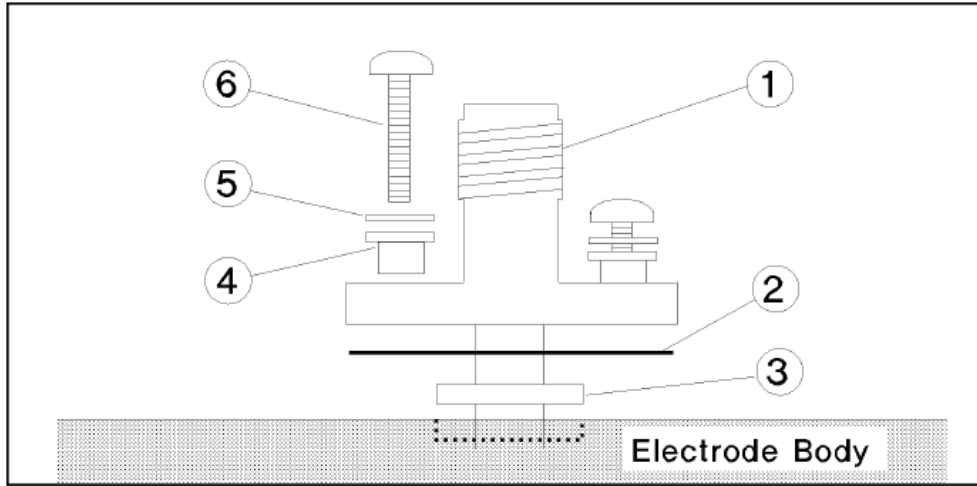


Figure 1-2

Table 1- 3 Replaceable Parts (Around SMA Connector)

Ref/D	Part Number	Description	Qty.	RoHS Compliant Replacement Part	Description	Qty.
1	16452-61603	SMA Cable Assembly for High Electrode	2	16452-60001	High Electrode Assembly	1
	16452-61602	SMA Cable Assembly for Low Electrode	2	16452-60002	Low Electrode Assembly	1
2	16452-25001	Insulator	4	16452-60001/ 16452-60002	High Electrode Assembly/ Low Electrode Assembly	1
3	16452-29001	O Ring	4	16452-60001/ 16452-60002	High Electrode Assembly/ Low Electrode Assembly	1
4	16452-25002	Insulator	8	16452-60001/ 16452-60002	High Electrode Assembly/ Low Electrode Assembly	1

5	2190-0654	Washer, M2	8	16452-60001/ 16452-60002	High Electrode Assembly/ Low Electrode Assembly	1
6	0515-0976	Screw, M2	8	16452-60001/ 16452-60002	High Electrode Assembly/ Low Electrode Assembly	1

Remarks:

1. Replace the defective part with the respective upper assembly as RoHS soldering is not supported.
2. 16452-61601 is replaced with 16048G/H + 1250-2375 (ADAPTER-COAXIAL STRAIGHT MALE-BNC MALE-SMA 50OHM 4GHz).

Post Repair Procedure

After unit service is completed, verify the supplemental performance characteristics per 16452A Operation and Service Guide Chapter 1 – Supplemental Performance Characteristics.

Revision History:

Date	Service Note Revision	Author	Reason for Change
07 May 2013	01	LS	As Published
07 Aug 2014	01A	JM	Added non-RoHS and RoHS serial-number
28 June 2017	01B	BS	Updated part number and added notes description