

**16453A-01**

**S E R V I C E N O T E**

---

Supersedes:  
NONE

**16453A Dielectric Material Test Fixture**

**Serial Numbers: Non-RoHS Fixture “MY43100001 - MY43199999”**

**OR**

**RoHS Fixture “MY43200001 – MY43299999”**

**This service note provides the updated part numbers and figures for both RoHS and non-RoHS 16453A Dielectric Material Test Fixture**

**Parts Required:**

Parts required depends on whether RoHS or non-RoHS 16453A is serviced.

**Non- RoHS unit** – Refer to [Situation 1](#)

**RoHS unit** – Refer to [Situation 2](#)

**ADMINISTRATIVE INFORMATION**

SERVICE NOTE CLASSIFICATION:	
<b>INFORMATION ONLY</b>	
<input type="checkbox"/> Calibration Required	PRODUCT LINE: WN
<input checked="" type="checkbox"/> Calibration NOT Required	AUTHOR: LS
ADDITIONAL INFORMATION: Support part information for non-RoHS and RoHS 16453A Dielectric Material Test Fixture	

© AGILENT TECHNOLOGIES, INC. 2013  
PRINTED IN U.S.A.

April 23, 2013

Rev. 21

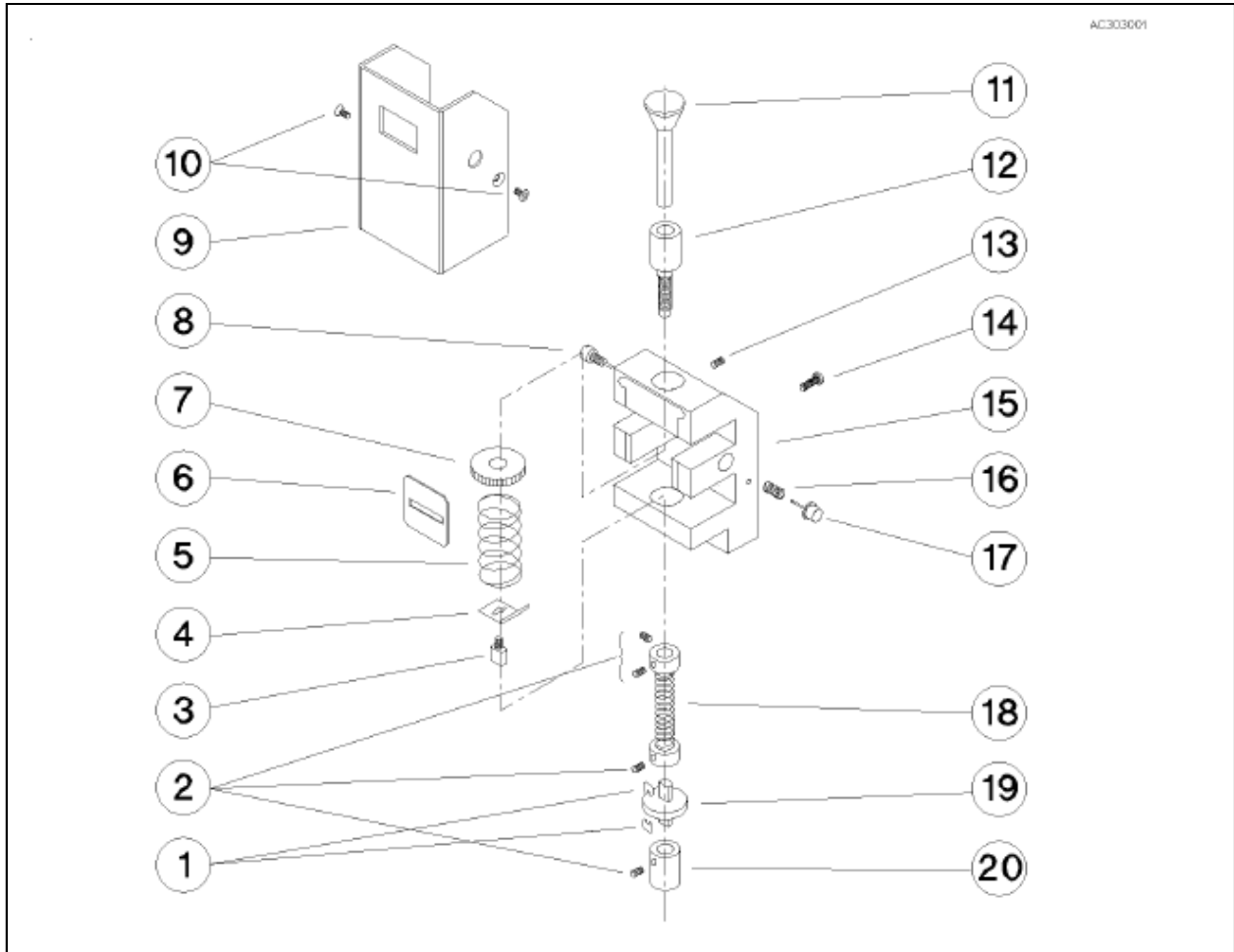


**Situation 1:**

**For non-RoHS 16453A Dielectric Material Test Fixture (S/N: MY431xxxxx and below)**

**Solution/Action:**

Shown are the supported parts and their respective RoHS compliant replacement support part. RoHS conversion involves with design and dimension change which result in the RoHS support part backward incompatible with non-RoHS 16453A Dielectric Material Test Fixture. Special handling is needed while using the RoHS replacement part on non-RoHS 16453A. The original support part number is replaced by the respective “RoHS Compliant Replacement Part”. Once the original support part is depleted, please proceed to obtain the RoHS compliant support part. Please refer to table 1-1, 1-2, 1-3 and figure 1-1, 1-2, 1-3 for the respective replacement part accordingly.



**Figure 1-1**

**NOTE: For RoHS Compliant Upper Level Assembly Replacement Part, if multiple parts are replaced by a common higher assembly part, only order ONE part of the higher level common assembly.**

Shown in table 1-1, 1-2 and 1-3 are the original support part and its compatible RoHS replacement part/assembly.

**Table 1-1: Replaceable Parts List (Upper Part)**

Ref/D	Part Number	Description	Qty.	RoHS Compliant Replacement Part	Description	Qty.
1	16190-09001	Plate	2	16190-09001	Plate	2
2	3030-0007	Screw SET4-40	4	<*1>Set change : 0515-4942	Screw Metric M3x0.5	4
3	16453-23004	Screw	1	16453-23004	Screw	1
4	16453-01215	Latch Plate	1	16453-01215	Latch Plate	1
5	1460-2384	Spring	1	5012-8767	Spring	1
6	16453-01211	Plate	1	16453-01211	Plate	1
7	16453-23003	Dial	1	16453-23003	Dial	1
8	16453-24003	Screw	1	16453-24003	Screw	1
9	16453-04001	Cover	1	16453-04001	Cover	1
10	0515-0914	Screw M3 L6	2	0515-1227	Screw M3 L6	2
11	16453-23001	Knob Shaft	1	16453-23001	Knob Shaft	1
12	16453-23002	Sleeve	1	16453-23002	Sleeve	1
13	3030-0285	Screw SET6-32	1	<*2>Set change : 0515-5199	Screw Metric M4x0.7	1
14	0515-1551	Screw M3 L10	1	0515-0373 & 2190-0854	Screw M3 L10	1
15	16453-20011 ( 16453-20021 )	Deck	1	<*2>Set change : 16453-20621	Deck	1
16	1460-2385	Spring	1	16453-08602	Spring	1
17	16453-24004	Latch Button	1	16453-24004	Latch Button	1
18	16453-29001 (16453-29011)	Spring	1	<*1>Set change : 16453-29611	Spring	1
19	16453-25001	Insulator	1	16453-25001	Insulator	1
20	16453-24015	Electrode	1	<*1>Set change : 16453-24615	Electrode	1

**Remarks:**

<\*1> Replace all associated parts marked with <\*1> as they are mutually dependent.

<\*2> Replace all associated parts marked with <\*2> as they are mutually dependent.

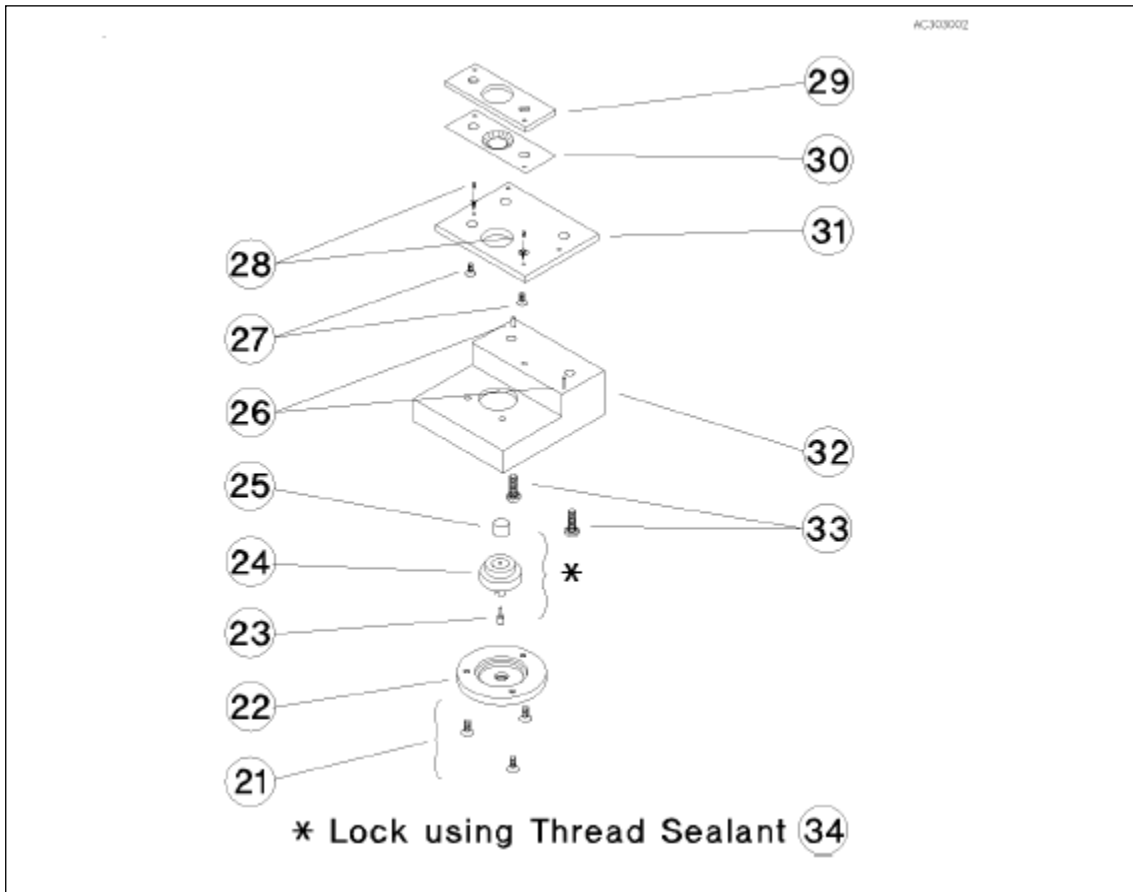


Figure 1-2

Table 1-2: Replaceable Parts List (Lower Part)

Ref/D	Part Number	Description	Qty.	RoHS Compliant Replacement Part	Description	Qty.
21	0515-0914	Screw M3 L6	3	0515-1227	Screw M3 L6	3
22	16453-24011	Flange	1	16453-24011	16453-24011	1
23	1250-0816	Contact	1	1250-0816	1250-0816	1
24	16453-60001	Bead Assembly	1	16453-60001	16453-60001	1
25	16453-24018	Electrode	1	16453-24018	16453-24018	1
26	1480-0739	Spring Pin	2	1480-0739	1480-0739	2
27	0515-0914	Screw M3 L6	2	0515-1227	Screw M3 L6; Washer	2
28	16092-21010	Pin	2	16092-21010	Pin	2
29	16453-01212	Plate	1	16453-01212	Plate	1
30	16453-08001	Spring	1	16453-08001	Spring	1
31	16453-01214	Plate	1	16453-01214	Plate	1
32	16453-20012	Base	1	16453-20012	Base	1
33	0515-0868	Screw M4 L16	2	0515-1143 & 2190-0586	Screw M4 L16; Washer	2
34	0470-0013	Thread Sealant	1	0470-0013	Thread Sealant	1

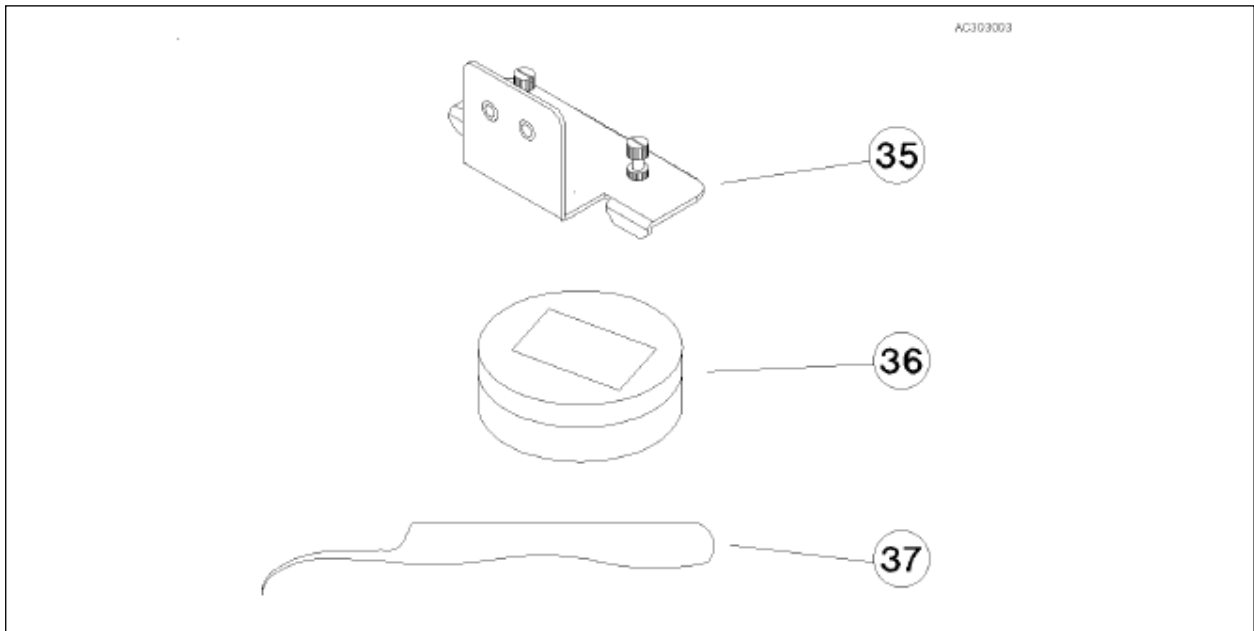


Figure 1-3

Table 1-3: Replaceable Parts List (Misc.)

Ref/ D	Part Number	Description	Qty.	RoHS Compliant Replacement Part	Description	Qty.
35	16453-01213	Angle Plate	1	16453-01213	Angle Plate	1
36	16453-60021	Load1	1	16453-60021	Load1 (*1)	1
37	8710-2081	Tweezers	1	8710-2081	Tweezers	1
	16453-60011	Carrying Case	1	16453-60011	Carrying Case (*2)	1
	16453-90000	Specification and Service Manual	1	16453-90010	Specification and Service Manual (*2)	1

**Remarks:**

(\*1) Consists of load plate, case and thickness label.

(\*2) These parts are not shown in this figure.

**Post repair requirement:**

Perform functional test as described in service guide Chapter 3- Service – Functional Test

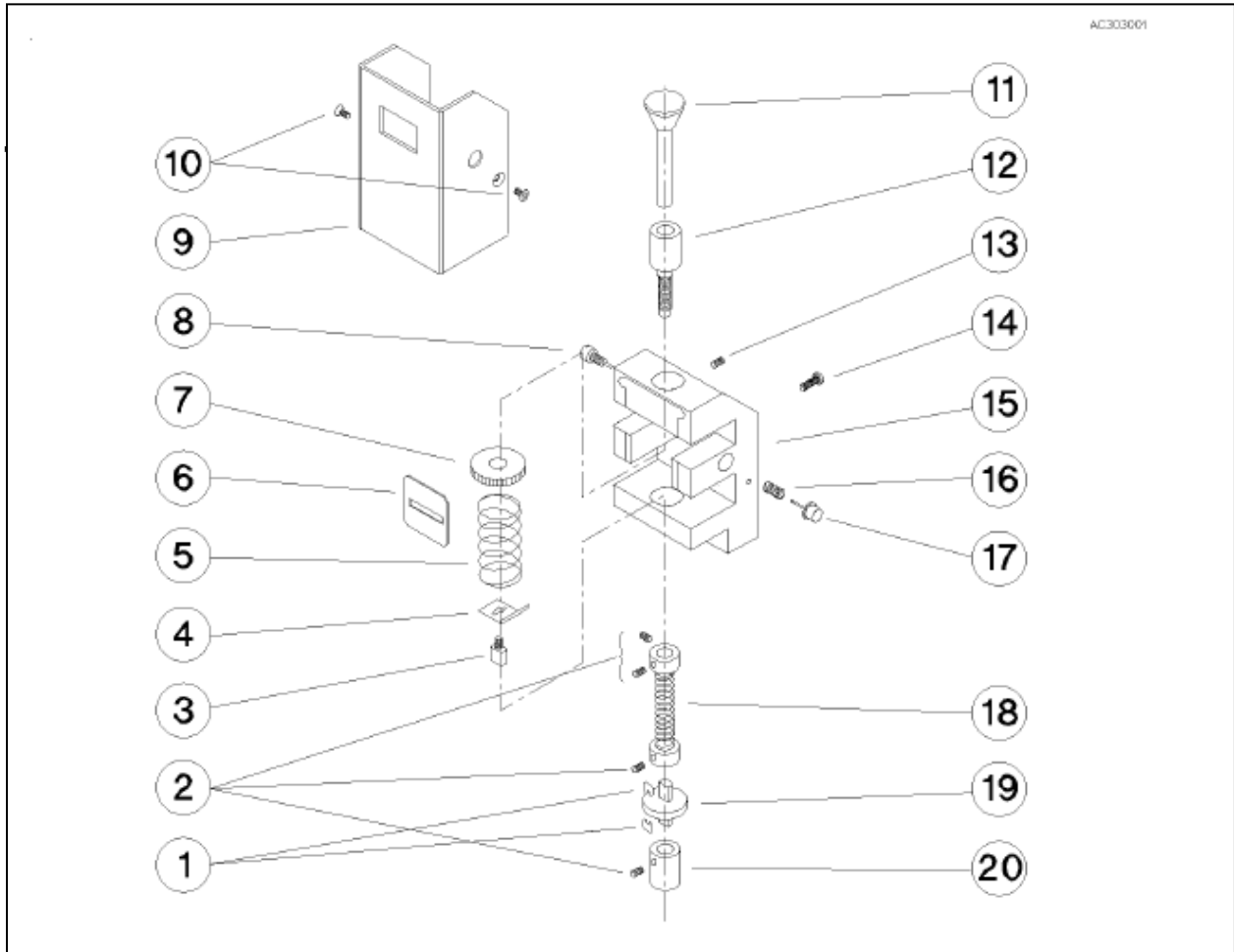
**Situation 2:**

**For RoHS 16453A Dielectric Material Test Fixture (S/N: MY432xxxxx and above)**

**Solution/Action:**

Shown are the support parts for RoHS compliance 16453A Dielectric Material Test Fixture. All the listed items are changed at RoHS conversion. Due to limited availability of RoHS compliance station and technical difficulties in RoHS soldering, only parts and support level that do not require RoHS soldering are supported. Shown are the supported RoHS compliance parts for RoHS 16453A Dielectric Material Test Fixture.

Shown in table 2-1, 2-2, 2-3 and figure 2-1, 2-2, 2-3 are the respective support parts for RoHS compliance 16453A unit. Parts shown in table 2-1, 2-2, 2-3 are replaceable parts for RoHS unit.



**Figure 2-1**

**Table 2-1: Replaceable Part List (Upper Part)**

<b>Ref/D</b>	<b>Part Number</b>	<b>Qty.</b>	<b>Description</b>
1	16190-09001	2	Plate
2	0515-4942	4	Screw Metric M3x0.5
3	16453-23004	1	Screw
4	16453-01215	1	Latch Plate
5	5012-8767	1	Spring
6	16453-01211	1	Plate
7	16453-23003	1	Dial
8	16453-24003	1	Screw
9	16453-04001	1	Cover
10	0515-1227	2	Screw M3 L6
11	16453-23001	1	Knob Shaft
12	16453-23002	1	Sleeve
13	0515-5199	1	Screw Metric M4x0.7
14	0515-0373 & 2190-0854	1	Screw M3 L10
15	16453-20621	1	Deck
16	16453-08602	1	Spring
17	16453-24004	1	Latch Button
18	16453-29611	1	Spring
19	16453-25001	1	Insulator
20	16453-24615	1	Electrode

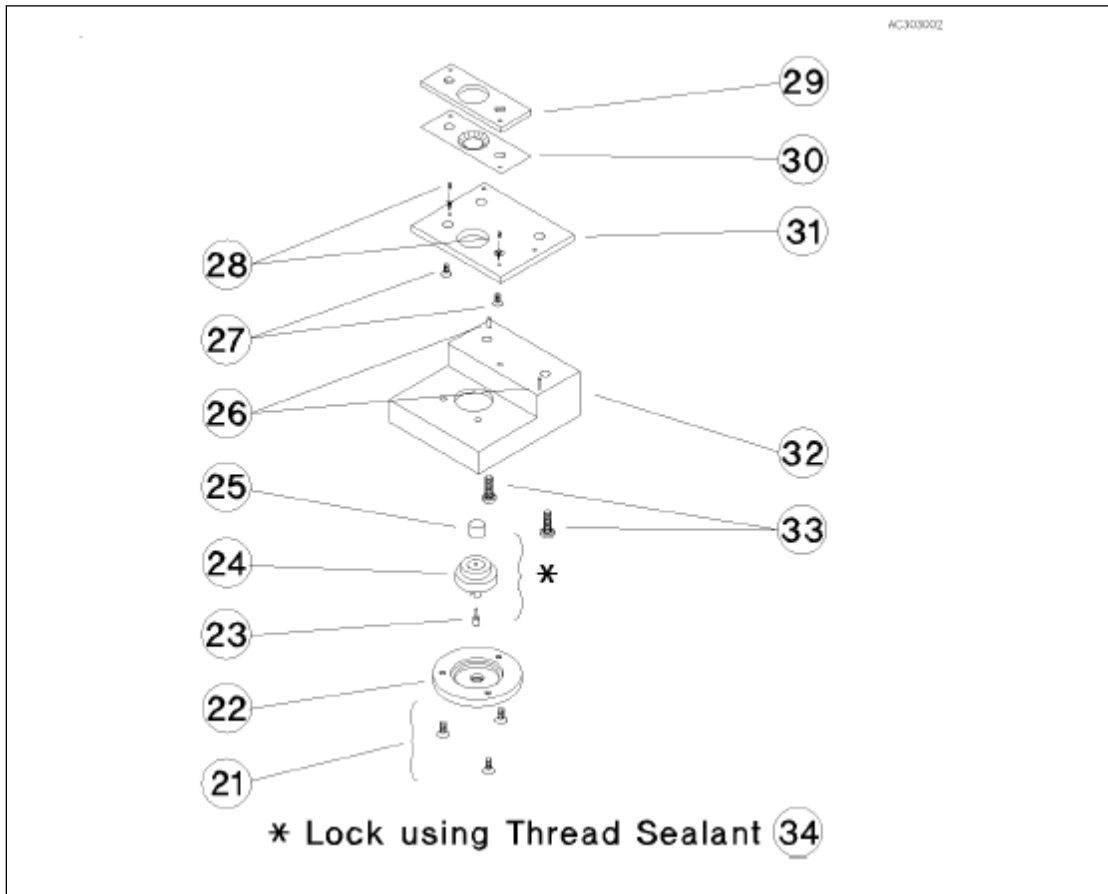


Figure 2-2

Table 2-2: Replaceable Parts (Lower Part)

Ref/D	Part Number	Qty.	Description
21	0515-1227	3	Screw M3 L6
22	16453-24011	1	16453-24011
23	1250-0816	1	1250-0816
24	16453-60001	1	16453-60001
25	16453-24018	1	16453-24018
26	1480-0739	2	1480-0739
27	0515-1227	2	Screw M3 L6; Washer
28	16092-21010	2	Pin
29	16453-01212	1	Plate
30	16453-08001	1	Spring
31	16453-01214	1	Plate
32	16453-20012	1	Base
33	0515-1143 & 2190-0586	2	Screw M4 L16; Washer
34	0470-0013	1	Thread Sealant



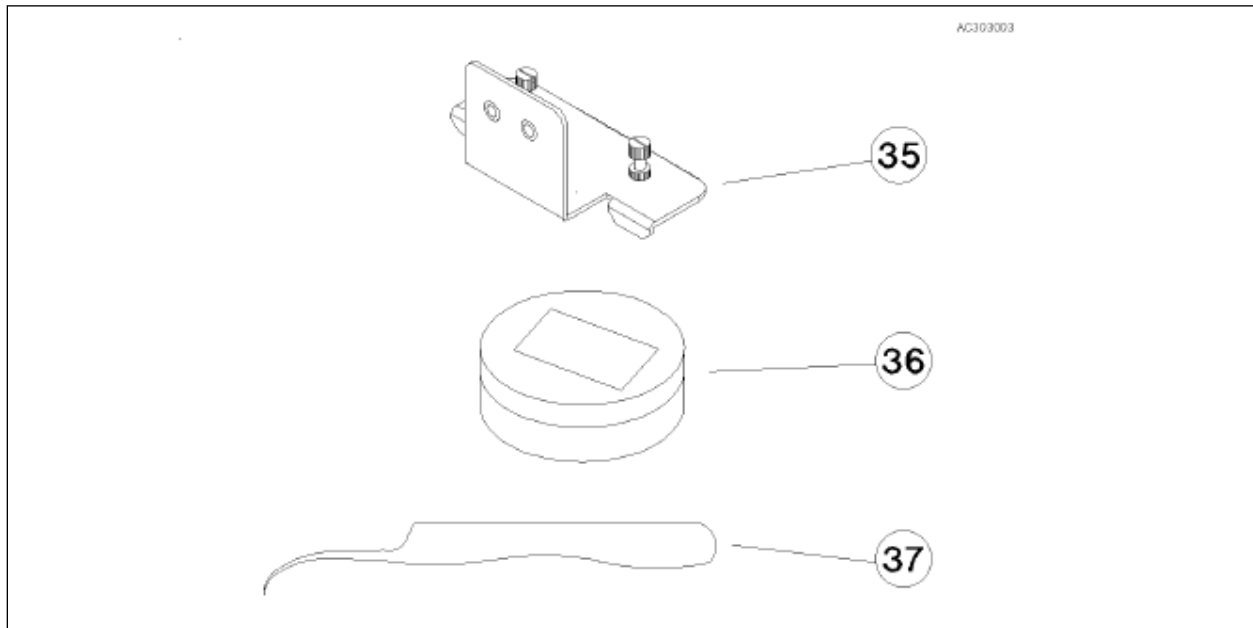


Figure 2-3

Table 2-3: Replaceable Parts List (Misc.)

Ref/D	Part Number	Qty.	Description
35	16453-01213	1	Angle Plate
36	16453-60021	1	Load1 (*1)
37	8710-2081	1	Tweezers
	16453-60001	1	Carrying Case (*2)
	16453-24018	1	Specification and Service Manual (*2)

**Remarks:**

(\*1) Consists of load plate, case and thickness label.

(\*2) These parts are not shown in this figure.

**Post repair requirement:**

Perform functional test as described in service guide Chapter 3- Service – Functional Test

**Revision History:**

Revision Number	Date	Author	Reason For Change
1.0	23 Apr 2013	LS	As published