

INFORMATION ONLY

41800A-04A

S E R V I C E N O T E

Supersedes:
41800A-04

41800A Active Probe

Serial Numbers:

Non-RoHS Fixture "MY43100001 – MY43199999, SG43100001- SG43199999"
OR

RoHS Fixture "MY43200001 – MY43299999, SG43200001- SG43299999"

This service note provides the updated part numbers and figures for both RoHS and non-RoHS 41800A Active Probe

Parts Required:

P/N	Description	Qty.
-----	-------------	------

Parts required depends on whether RoHS or non-RoHS 41800A is serviced.

Non- RoHS unit – Refer to [Situation 1](#)

RoHS unit – Refer to [Situation 2](#)

ADMINISTRATIVE INFORMATION

SERVICE NOTE CLASSIFICATION:	
INFORMATION ONLY	
<input checked="" type="checkbox"/> Calibration Required <input type="checkbox"/> Calibration NOT Required	PRODUCT LINE: WN AUTHOR: LS
ADDITIONAL INFORMATION: Support part information for non-RoHS and RoHS 41800A Active Probe	

Situation 1:

For non-RoHS 41800A Active Probe (S/N: MY431xxxxx and below, SG431xxxxx and below).

Solution/Action:

Shown are the supported parts and their respective RoHS compliant replacement support part. RoHS conversion involves with design and dimension change which result in the RoHS support part backward incompatible with non-RoHS 41800A. Special handling is needed while using the RoHS replacement part on non-RoHS 41800A. The original support part number is replaced by the respective "RoHS Compliant Replacement Part". Once the original support part is depleted, please proceed to obtain the RoHS compliant support part. Please refer to table 1-1, 1-2, 1-3 and figure 1-1, 1-2, 1-3 for the respective replacement part accordingly.

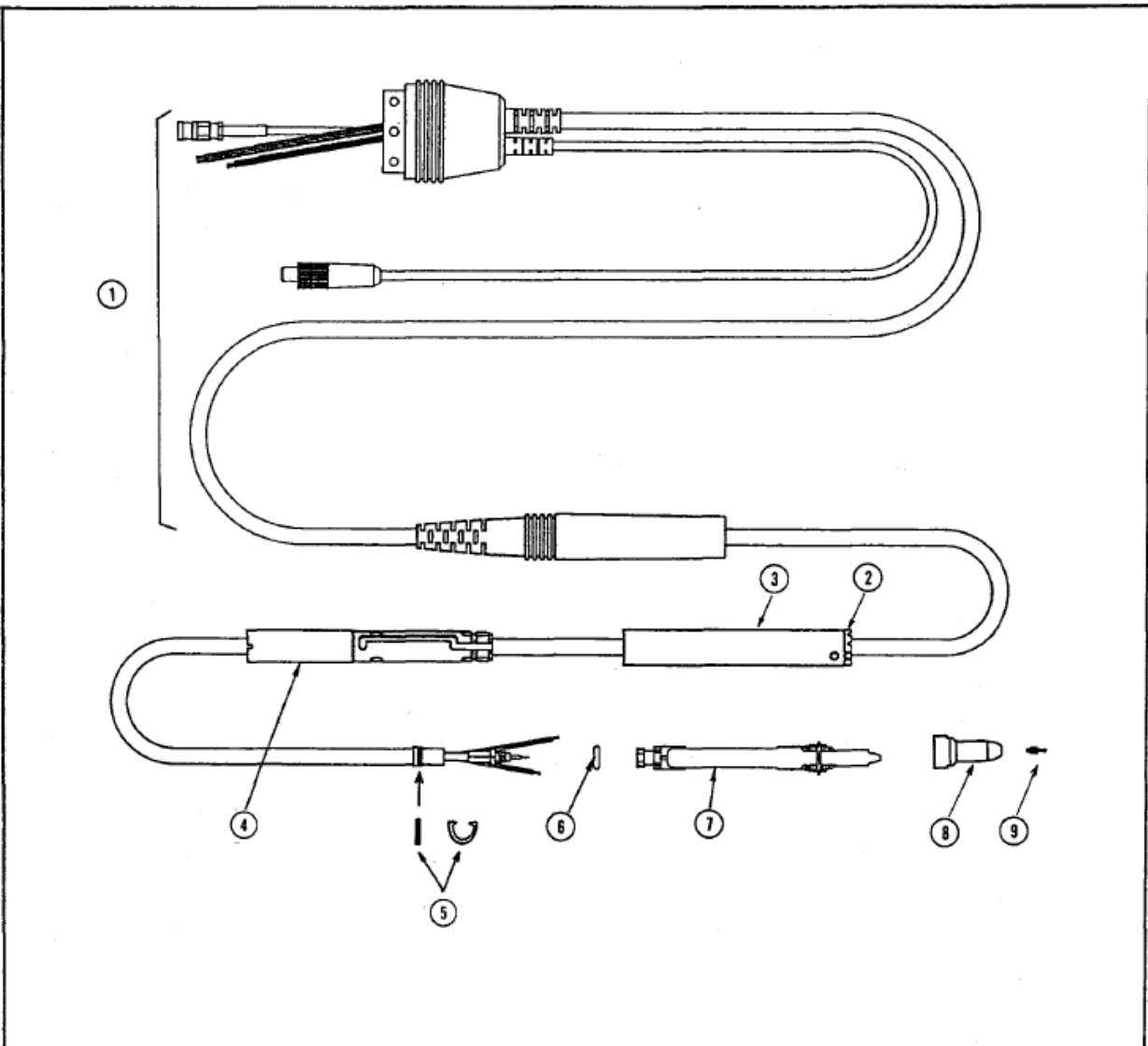


Figure 1-1

NOTE: For RoHS Compliant Upper Level Assembly Replacement Part, if multiple parts are replaced by a common higher assembly part, only order ONE part of the higher level common assembly.

Shown in table 1-1 are the original support part and its compatible RoHS replacement part/assembly.

Table 1-1:

Ref/ D	Part Number	Description	Qty	RoHS Compliant Replacement Part	Description	Qty
1	41800-61601	Cable Assembly	1	41800-61671	Cable assembly	1
2	41800-40005	Support Shield	1	41800-40005	Support Shield	1
3	41800-24012	Protective Sleeve	1	41800-24012	Protective Sleeve	1
4	41800-24010	Outer Tube Probe	1	41800-24010	Outer Tube Probe	1
5	0510-1325	Retainer CE Ring	1	0510-1325	Retainer CE Ring	1
6	0905-1150	O Ring	1	0905-1150	O Ring	1
7	41800-60005	PC Board/Heatsink Assembly	1	41800-61071	Probe Assembly	1
8	41800-60002 (41800-60008)	Nose Assembly	1	41800-60008	Nose assembly	1
9	41800-60003	12 mil Probe Pin Assembly	1	41800-60003	12 mil Probe pin	1
	41800-60004	30 mil Probe Pin Assembly	1	41800-60004	30 mil Probe pin	1

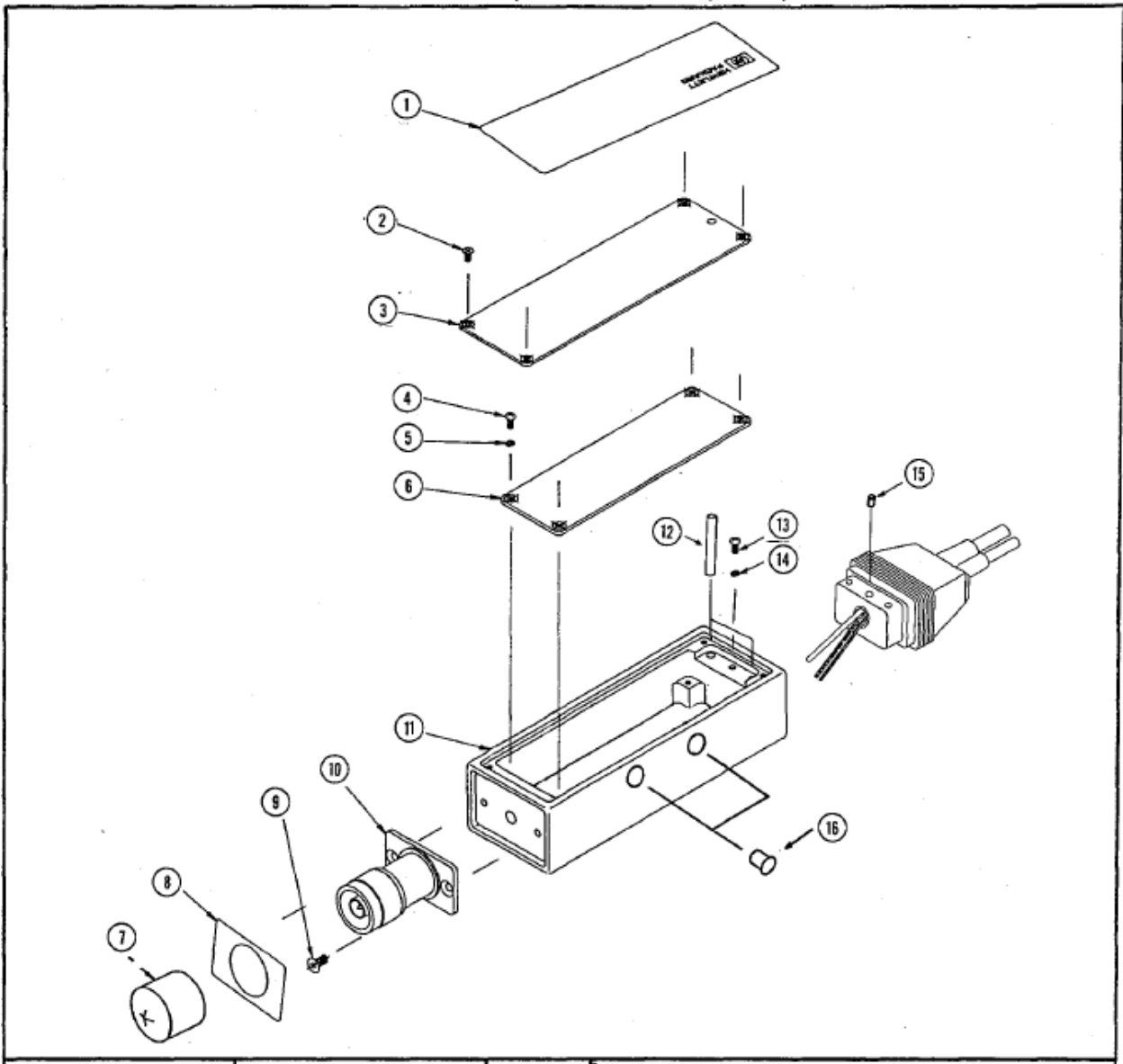


Figure 1-2

Table 1-2:

Ref/D	Part Number	Description	Qty	RoHS Compliant Replacement Part	Description	Qty
1	41800-87111	Label	1	41800-87111	Label	1
2	0515-1873	Screw Metric	4	0515-1602	Screw Metric	4
3	41800-04001	Cover	1	41800-04001	Cover	1
4	0515-0976	Screw M2 L6	5	0515-0677	Screw M2 L6	5
5	2190-0654	Washer	5	2190-0654	Washer	5
6	41800-66502	Amplifier/Regulator Board Assembly	1	41800-61071	Probe Assembly	1
7	1401-0214	PVC Cap	1	1401-0214	PVC Cap	1
8	41800-87112	Label	1	41800-87172	Label	1
9	0515-0914	Screw-Mach M3x0.5	2	0515-0914	Screw-Mach M3x0.5	2
10	1250-2229	Connector N-PR-237	1	1250-3830	Connector RF Plug 50 Ohm	1
11	41800-20001	Case	1	41800-20071	Case	1
12	41800-23003	Shaft	2	41800-23003	Shaft	2
13	0515-0976	Screw M2 L6		0515-0677	Screw M2 L6	
14	2190-0654	Washer		2190-0654	Washer	
15	41800-24004	Spacer	1	41800-24004	Spacer	1
16	6960-0147	Plug Hole	2	6960-0076	Plug Hole	2

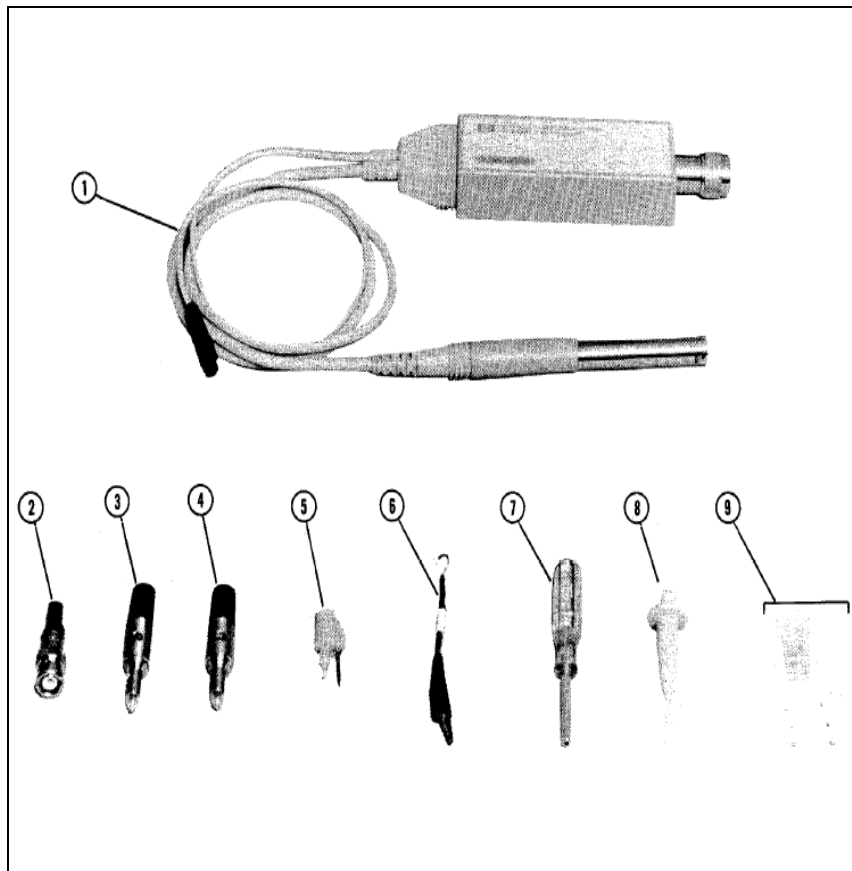


Figure 1-3

Table 1-3:

Ref/ D	Part Number	Description	Qty	RoHS Compliant Replacement Part	Description	Qty
1	41800-61001	Probe Assembly	1	41800-61071	Probe Assembly	1
2	10218A (41800- 60013)	Probe-BNC(m) Adapter	1	41800-60013	Probe-BNC(m) Adapter	1
3	41800-60011	10:1 Divider Assembly	1	41800-60611	10:1 Divider Assembly	1
4	41800-60012	100:1 Divider Assembly	1	41800-60612	100:1 Divider Assembly	1
5	5060-0549	Slip-on Spanner Ground Tip	1	5060-0549	Slip-on Spanner Ground Tip	1
6	01123-61302 (41800- 61602)	Ground Clip (flexible)	1	41800-61672	Ground Clip (flexible)	1
7	8710-1806	Probe Tip Nut Driver (3/32 inch)	1	8710-1806	Probe Tip Nut Driver (3/32 inch)	1
8	10229A	Hook Tip Adapter	1	10229A	Hook Tip Adapter	1
9	41800-60021	Spare Probe Pin Set (12 mil pinx3, 30 mil pinx3)	1	41800-60021	Spare Probe Pin Set (12 mil pinx3, 30 mil pinx3)	1

Situation 2:
For RoHS 41800A Active Probe (S/N: MY432xxxxx and above, SG432xxxxx and above).

Solution/Action:

Shown are the support parts for RoHS compliance 41800A Active Probe. All the listed items are changed at RoHS conversion. Due to limited availability of RoHS compliance station and technical difficulties in RoHS soldering, only parts and support level that do not require RoHS soldering are supported. Shown are the supported RoHS compliance parts for RoHS 41800A Active Probe.

Shown in table 2-1, 2-2, 2-3 and figure 2-1, 2-2, 2-3 are the respective support parts for RoHS compliance 41800A unit. Parts shown in table 2-1 are replaceable parts for RoHS unit.

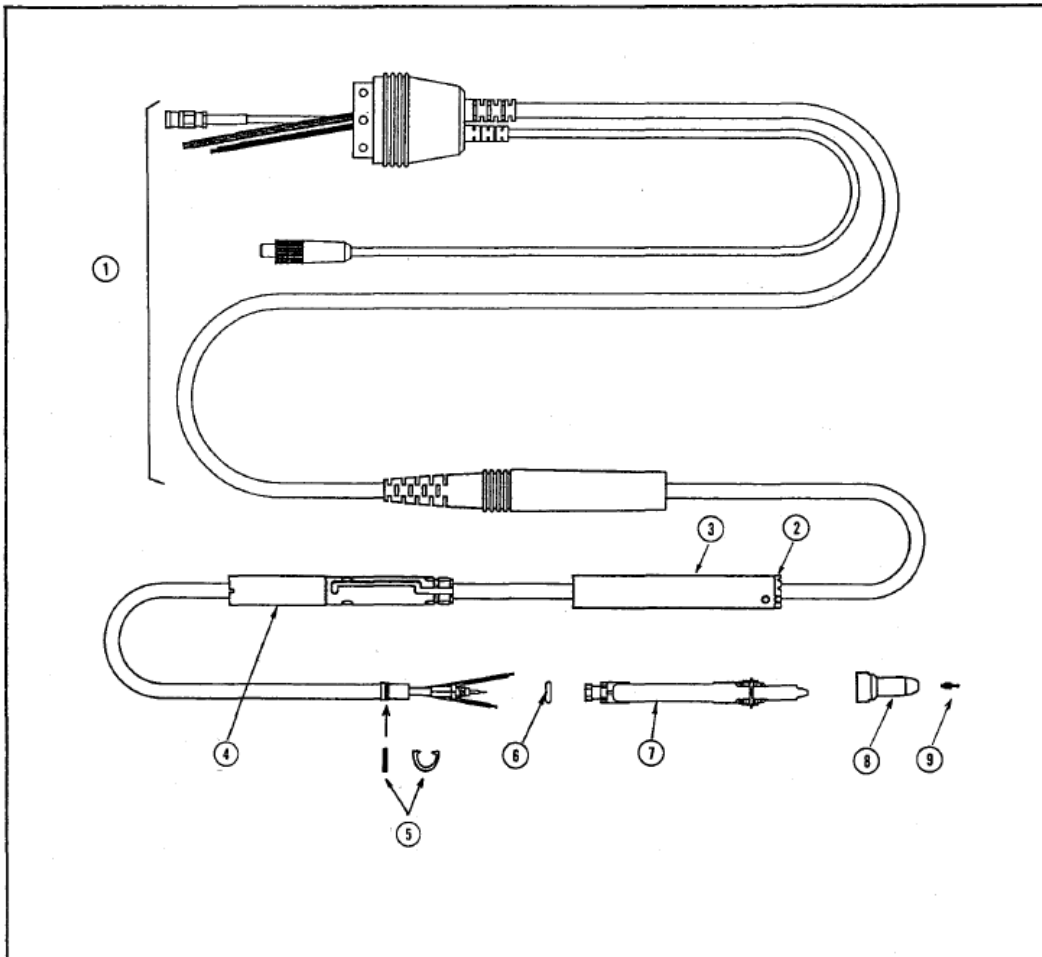


Figure 2-1

Table 2-1

Ref/D	Part Number	Qty.	Description
2	41800-40005	1	Support Shield
5	0510-1325	1	Retainer CE Ring
8	41800-60008	1	Nose Assembly
9	41800-60003	1	12 mil Probe Pin Assembly
	41800-60004	1	30 mil Probe Pin Assembly

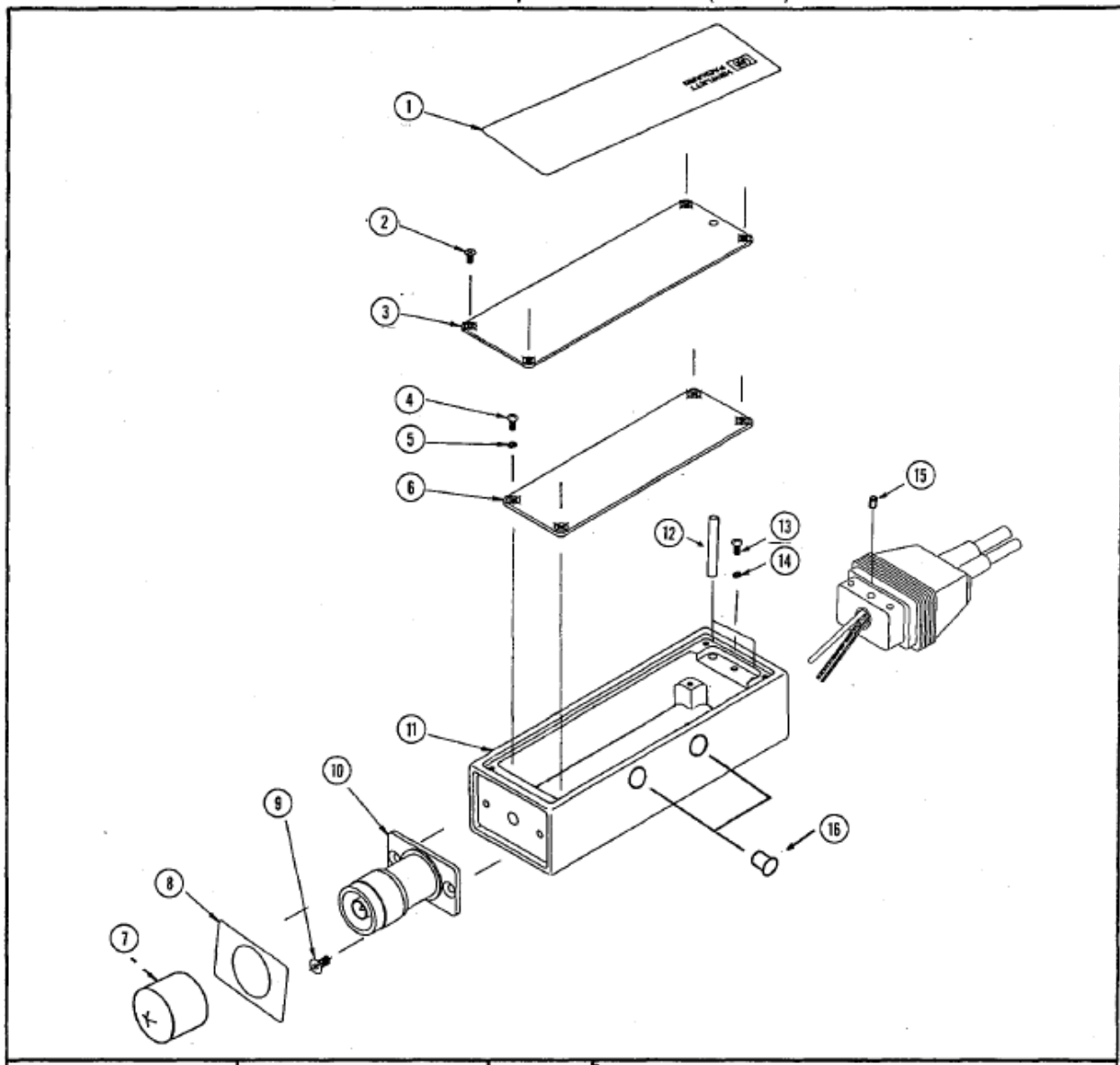


Figure 2-2

Table 2-2

Ref/D	Part Number	Qty.	Description
1	41800-87111	1	Label
2	0515-1602	4	Screw Metric
3	41800-04001	1	Cover
4	0515-0677	5	Screw M2 L6
5	2190-0654	5	Washer
7	1401-0214	1	PVC Cap
8	41800-87172	1	Label
12	41800-23003	2	Shaft
13	0515-0677		Screw M2 L6
14	2190-0654		Washer
15	41800-24004	1	Spacer
16	6960-0076	2	Plug Hole

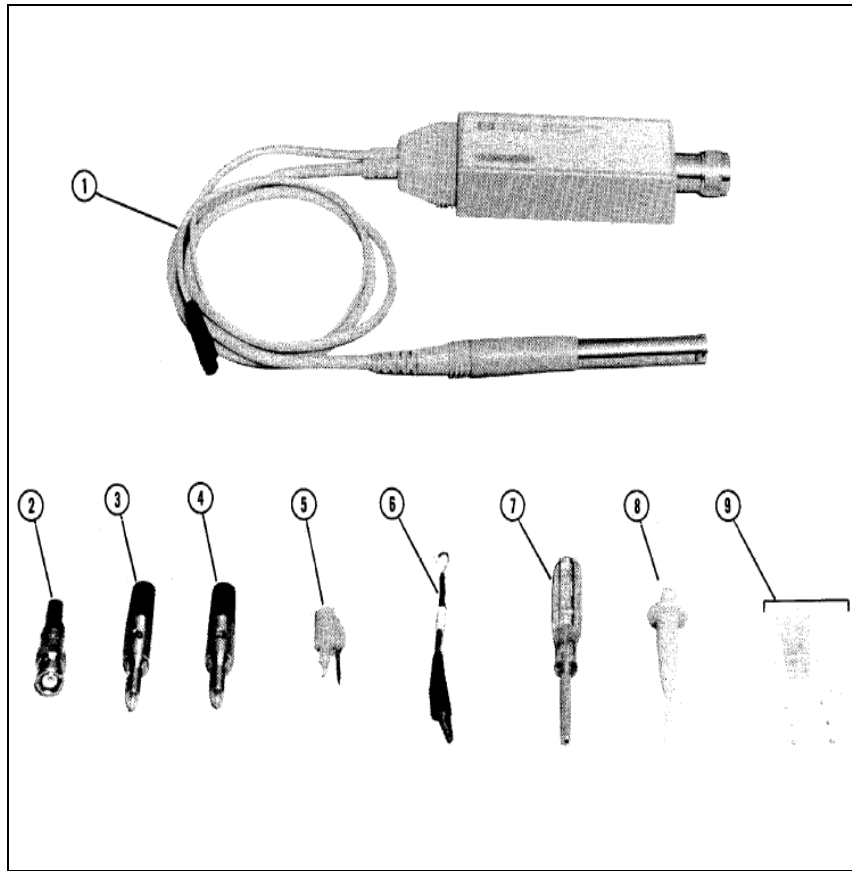


Figure 2-3

Table 2-3

Ref/D	Part Number	Qty.	Description
1	41800-61071	1	Probe Assembly
2	41800-60013	1	Probe-BNC(m) Adapter
3	41800-60611	1	10:1 Divider Assembly
4	41800-60612	1	100:1 Divider Assembly
5	5060-0549	1	Slip-on Spanner Ground Tip
6	41800-61672	1	Ground Clip (flexible)
7	8710-1806	1	Probe Tip Nut Driver (3/32 inch)
8	10229A	1	Hook Tip Adapter
9	41800-60021	1	Spare Probe Pin Set (12 mil pinx3, 30 mil pinx3)

Revision History:

Service note Revision	Date	Author	Reason For Change
41800A-04	Nov 12 th , 2012	LS	As published
41800A-04A	Aug 29 th , 2014	LS	Updated RoHS Compliant replacement PN in Table 1-1 (Item 7) and Table 1-2 (Item 6).