

42941A-01

S E R V I C E N O T E

Supersedes:
NONE

42941A Impedance Probe Kit, 40 Hz to 110 MHz

Serial Numbers: Non-RoHS Fixture

“MY43100001 - MY43199999”, “SG43100001 – SG43199999”

OR

RoHS Fixture

“MY43200001 – MY43299999”, “SG43200001 – SG43299999”

This service note provides the updated part numbers and figures for both RoHS and non-RoHS 42941A Impedance Probe Kit, 40 Hz to 110 MHz

Parts Required:

Parts required depends on whether RoHS or non-RoHS 42941A is serviced.

Non- RoHS unit – Refer to [Situation 1](#)

RoHS unit – Refer to [Situation 2](#)

ADMINISTRATIVE INFORMATION

SERVICE NOTE CLASSIFICATION:	
INFORMATION ONLY	
<input type="checkbox"/> Calibration Required	PRODUCT LINE: WN
<input checked="" type="checkbox"/> Calibration NOT Required	AUTHOR: LS
ADDITIONAL INFORMATION: Support part information for non-RoHS and RoHS 42941A Impedance Probe Kit, 40 Hz to 110 MHz	

© AGILENT TECHNOLOGIES, INC. 2013
PRINTED IN U.S.A.

April 18, 2013

Rev. 21



Situation 1:

**For non-RoHS 42941A Impedance Probe Kit, 40 Hz to 110 MHz
(S/N: MY431xxxxx and below, SG431xxxxx and below).**

Solution/Action:

Shown are the supported parts and their respective RoHS compliant replacement support part. RoHS conversion involves with design and dimension change which result in the RoHS support part backward incompatible with non-RoHS 42941A Impedance Probe Kit, 40Hz to 110 MHz. Special handling is needed while using the RoHS replacement part on non-RoHS 42941A. The original support part number is replaced by the respective "RoHS Compliant Replacement Part". Once the original support part is depleted, please proceed to obtain the RoHS compliant support part. Please refer to table 1-1, 1-2 and figure 1-1, 1-2 for the respective replacement part accordingly.

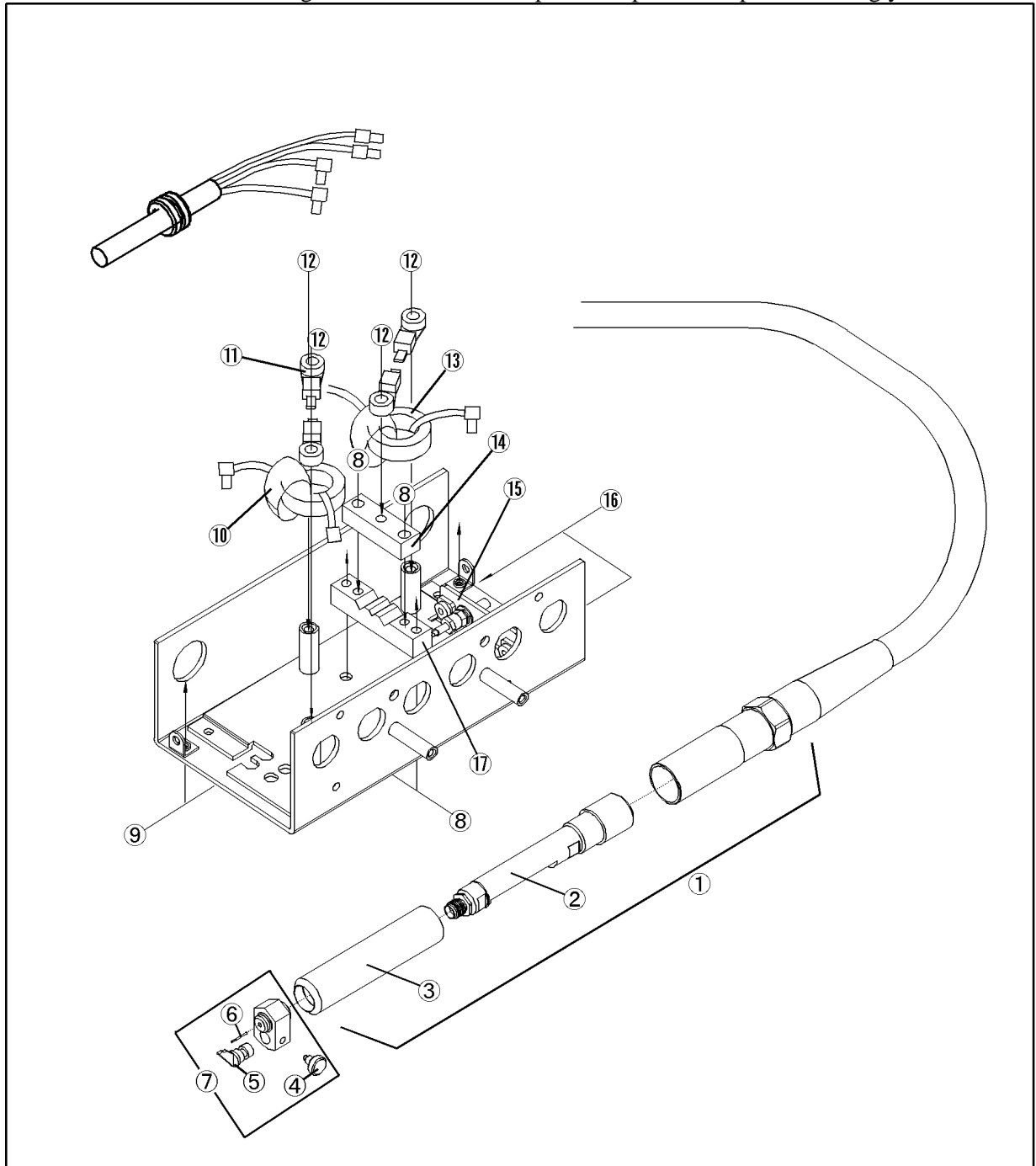


Figure 1-1

NOTE: For RoHS Compliant Upper Level Assembly Replacement Part, if multiple parts are replaced by a common higher assembly part, only order ONE part of the higher level common assembly.

Shown in table 1-1 and 1-2 are the original support part and its compatible RoHS replacement part/assembly.

Table 1-1: Replaceable Parts (Part 1 of 2)

Ref/ D	Part Number	Description	Qty.	RoHS Compliant Replacement Part	Description	Qty.
1	42941-60001	PROBE	1	42941-60601	PROBE	1
2	42941-65001	CHASSIS	1	42941-60601	PROBE	1
3	42941-24001	COVER	1	42941-24001	COVER	1
4	42941-24015	KNOB	1	42941-24015	KNOB	1
5	42941-24013	GND	1	42941-24013	GND	1
6	-	CONTACT PROBE	1	-	CONTACT PROBE	1
7	42941-60002	CONTACT ASSY	1	42941-60002	CONTACT ASSY	1
8	0515-1718	SCR M4X12	4	0515-0382	SCR M4X12	4
9	0515-0914	SCR-MACH M3X0.5	2	0515-1946	SCR-MACH M3X0.5	2
10	42941-61602	RF CBL ASSY	1	42941-61672	RF CBL ASSY	1
11	1400-0719 (1400-3284)	CABLE TIE	4	1400-3284	CABLE TIE	4
12	0515-1718	SCR M4X12	4	0515-0382	SCR M4X12	4
	3050-0893	WSHR-FL	4	3050-0893	WSHR-FL	4
13	42941-61604	RF CBL ASSY	1	42941-61674	RF CBL ASSY	1
14	42941-24006	PLATE	1	42941-24006	PLATE	1
15	42941-66501	BOARD	1	42941-66601	BOARD	1
16	0515-1550	SCR M3-L 8 P-H	2	0515-0372	SCR M3-L 8 P-H	2
17	42941-24005	BLOCK	1	42941-24005	BLOCK	1

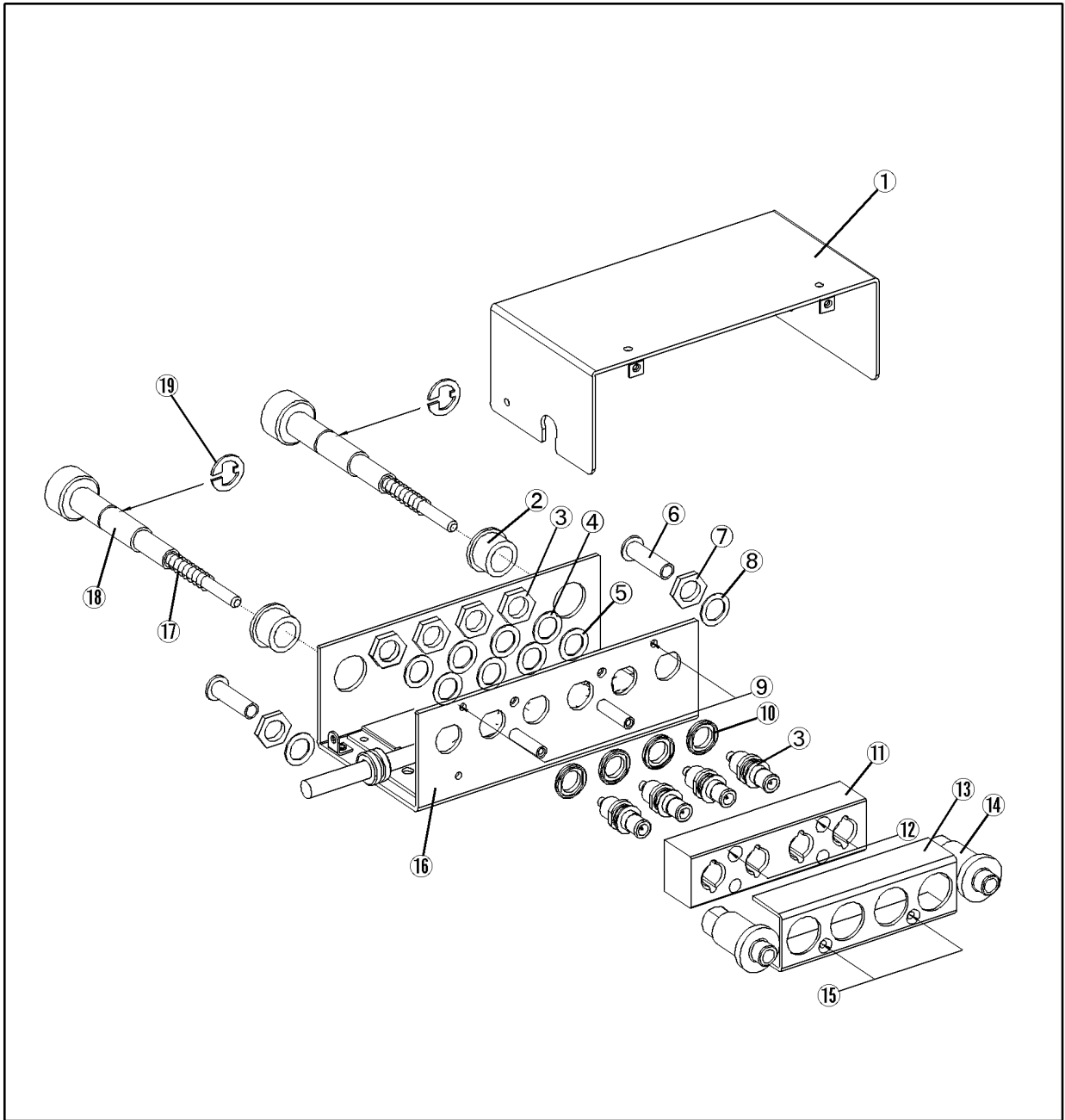


Figure 1-2

Table 1-2: Replaceable Parts (Part 2 of 2)

Ref/ D	Part Number	Description	Qty.	RoHS Compliant Replacement Part	Description	Qty.
1	42941-00601	COVER TOP	1	42941-00601	COVER TOP	1
2	42941-40002	BUSHING	2	42941-40002	BUSHING	2
3	1253-0476 (5012-8630)	ADPT BNC-SMB	4	5012-8630	ADPT BNC-SMB	4
4	3050-0067	WSHR-FL MTLC	4	3050-0067	WSHR-FL MTLC	4
5	3050-0789	WSHR-FL NM	4	3050-0789	WSHR-FL NM	4
6	42941-25002	SLEEVE	2	42941-25002	SLEEVE	2
7	2950-0054	NUT-HEX-DBL- CHAM	2	2950-0054	NUT-HEX-DBL- CHAM	2
8	2190-0054	WSHR-LK INTL T	2	2190-0054	WSHR-LK INTL T	2
9	0515-0914	SCR-MACH M3X0.5	2	0515-1946	SCR-MACH M3X0.5	2
10	16047-40002	INSULATOR	4	16047-40002	INSULATOR	4
11	42942-25006	GUIDE BNC	1	42942-25006	GUIDE BNC	1
12	0515-1550	SCR M3-L 8 P-H	2	0515-0372	SCR M3-L 8 P-H	2
13	42942-00603	COVER	1	42942-00603	COVER	1
14	42941-24003	GUIDE	2	42941-24003	GUIDE	2
15	0515-0914	SCR-MACH M3X0.5	2	0515-1946	SCR-MACH M3X0.5	2
16	42941-00602	COVER BOTTOM	1	42941-00602	COVER BOTTOM	1
17	1460-2615	SPRING	2	1460-2615	SPRING	2
18	42941-24004	SHAFT	2	42941-24004	SHAFT	2
19	0510-0083	RTNR-R	2	0510-0083	RTNR-R	2

Situation 2:

**For RoHS 42941A Impedance Probe Kit, 40 Hz to 110 MHz
(S/N: MY432xxxxx and above, SG432xxxxx and above).**

Solution/Action:

Shown are the support parts for RoHS compliance 42941A Impedance Probe Kit, 40 Hz to 110 MHz. All the listed items are changed at RoHS conversion. Due to limited availability of RoHS compliance station and technical difficulties in RoHS soldering, only parts and support level that do not require RoHS soldering are supported. Shown are the supported RoHS compliance parts for RoHS 42941A Impedance Probe Kit, 40 Hz to 110 MHz.

Shown in table 2-1, 2-2 and figure 2-1, 2-2 are the respective support parts for RoHS compliance 42941A unit. Parts shown in table 2-1, 2-2 are replaceable parts for RoHS unit.

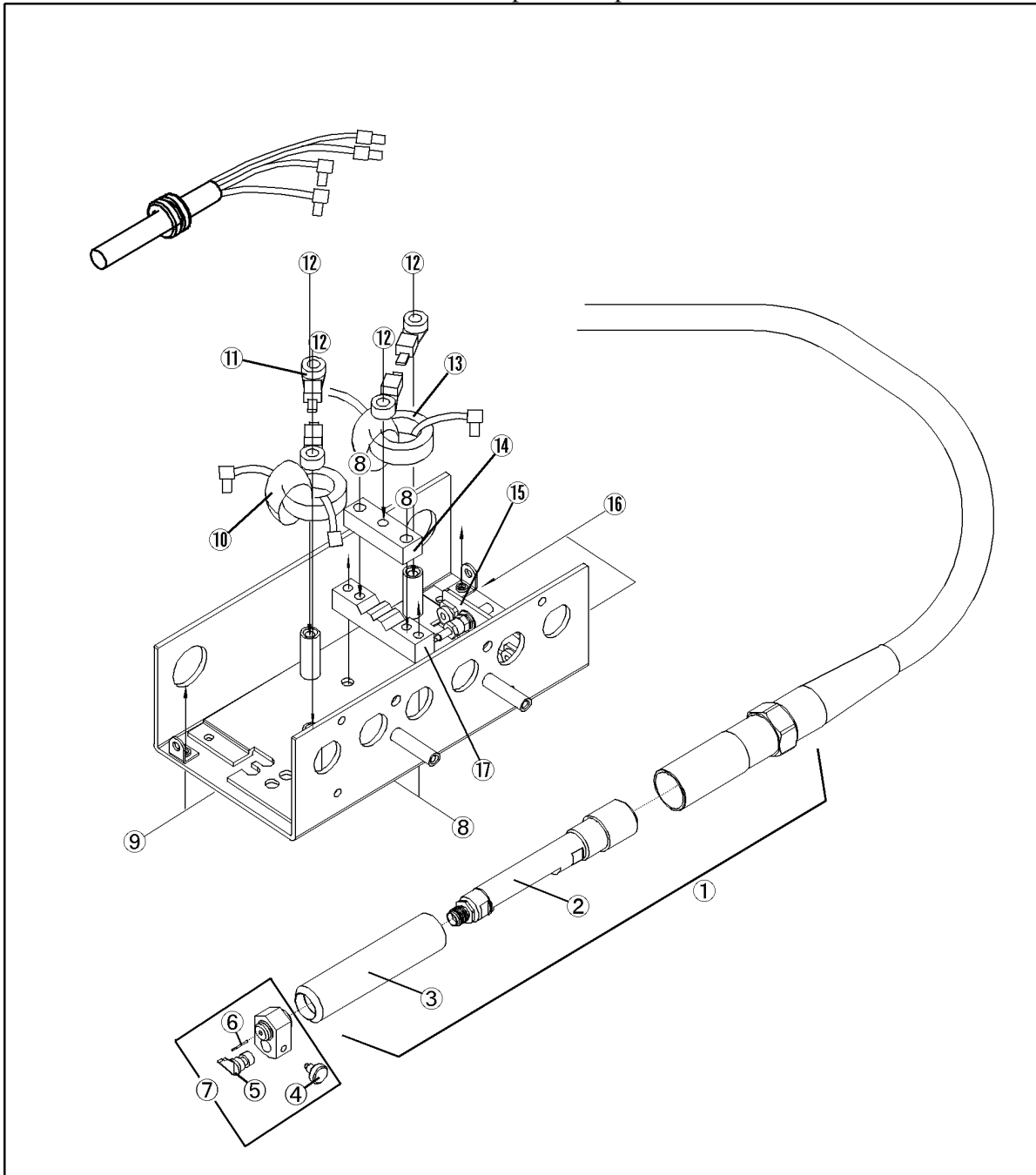


Figure 2-1

Table 2-1: Replaceable Parts (Part 1 of 2)

Ref/D	Part Number	Qty.	Description
1	42941-60601	1	PROBE
3	42941-24001	1	COVER
4	42941-24015	1	KNOB
5	42941-24013	1	GND
6	-	1	CANTACT PROBE
7	42941-60002	1	CONTACT ASSY
8	0515-0382	4	SCR M4X12
9	0515-1946	2	SCR-MACH M3X0.5
10	42941-61672	1	RF CBL ASSY
11	1400-3284	4	CABLE TIE
12	0515-0382	4	SCR M4X12
	3050-0893	4	WSHR-FL
13	42941-61674	1	RF CBL ASSY
14	42941-24006	1	PLATE
15	42941-66601	1	BOARD
16	0515-0372	2	SCR M3-L 8 P-H
17	42941-24005	1	BLOCK

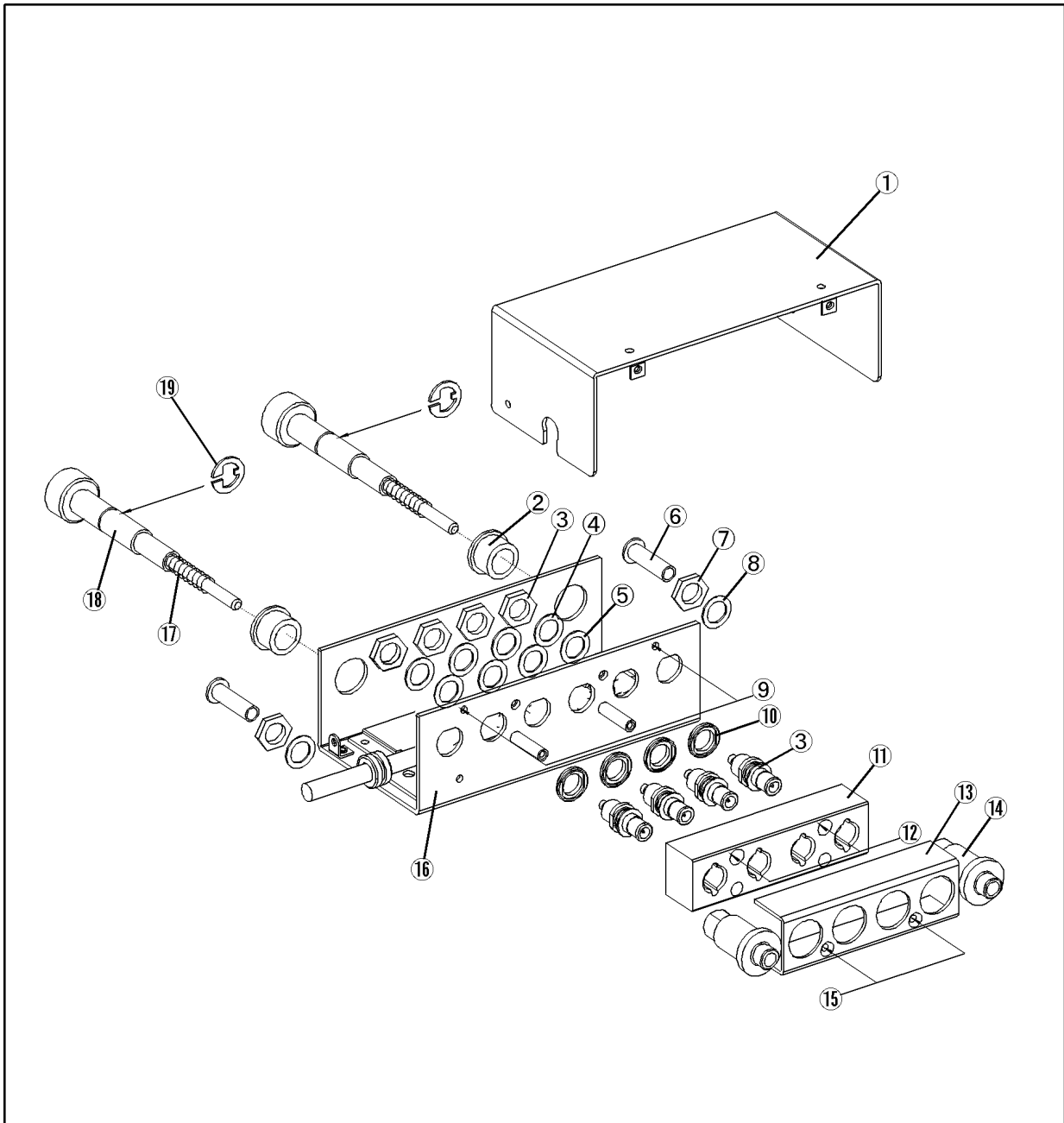


Figure 2-2

Table 2-2: Replaceable Parts (Part 2 of 2)

Ref/D	Part Number	Qty.	Description
1	42941-00601	1	COVER TOP
2	42941-40002	2	BUSHING
3	5012-8630	4	ADPT BNC-SMB
4	3050-0067	4	WSHR-FL MTLC
5	3050-0789	4	WSHR-FL NM
6	42941-25002	2	SLEEVE
7	2950-0054	2	NUT-HEX-DBL-CHAM
8	2190-0054	2	WSHR-LK INTL T
9	0515-1946	2	SCR-MACH M3X0.5
10	16047-40002	4	INSULATOR
11	42942-25006	1	GUIDE BNC
12	0515-0372	2	SCR M3-L 8 P-H
13	42942-00603	1	COVER
14	42941-24003	2	GUIDE
15	0515-1946	2	SCR-MACH M3X0.5
16	42941-00602	1	COVER BOTTOM
17	1460-2615	2	SPRING
18	42941-24004	2	SHAFT
19	0510-0083	2	RTNR-R

Revision History:

Revision Number	Date	Author	Reason For Change
1.0	18 Apr 2013	LS	As published