

42942A-01

S E R V I C E N O T E

Supersedes:
NONE

42942A Terminal Adapter, 40 Hz to 110 MHz

Serial Numbers: ALL

This service note provides the updated part numbers and figures for both RoHS and non-RoHS 42942A Terminal Adapter, 40 Hz to 110 MHz

Parts Required:

Details refer to table 1-1, 1-2 shown below.

ADMINISTRATIVE INFORMATION

SERVICE NOTE CLASSIFICATION:	
INFORMATION ONLY	
<input type="checkbox"/> Calibration Required	PRODUCT LINE: WN
<input checked="" type="checkbox"/> Calibration NOT Required	AUTHOR: LS
ADDITIONAL INFORMATION: Support part information for 42942A Terminal Adapter, 40 Hz to 110 MHz	

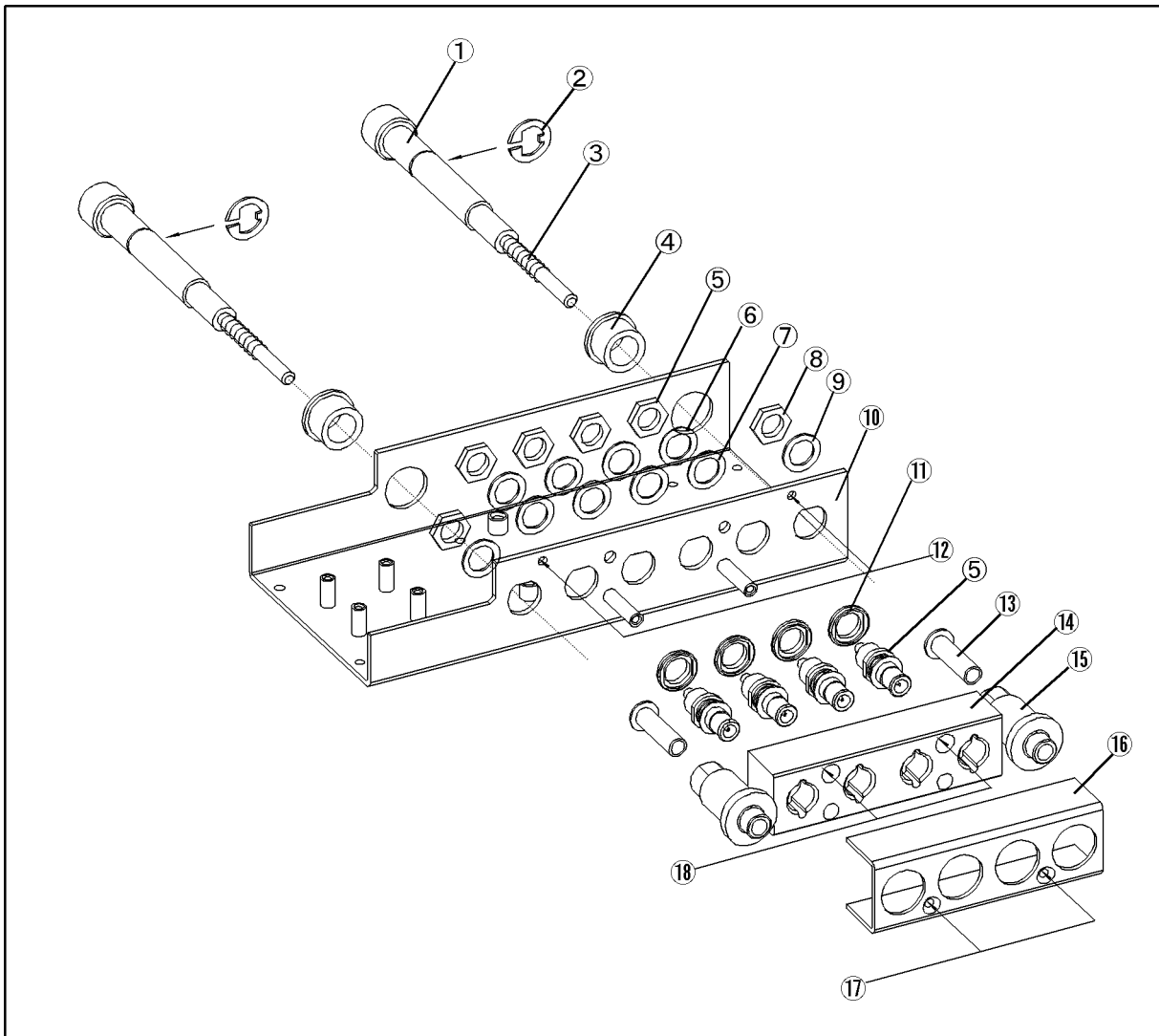
© AGILENT TECHNOLOGIES, INC. 2013
PRINTED IN U.S.A.

April 19, 2013
Rev. 21



Situation:**For both RoHS and non-RoHS 42942A Terminal Adapter, 40 Hz to 110 MHz****Solution/Action:**

Shown are the support parts for RoHS and non-RoHS compliance 42942A Terminal Adapter, 40 Hz to 110 MHz. All the listed items are changed at RoHS conversion. Due to limited availability of RoHS compliance station and technical difficulties in RoHS soldering, only parts and support level that do not require RoHS soldering are supported. Shown are the supported RoHS compliance parts for 42942A Terminal Adapter, 40 Hz to 110 MHz.

**Figure 1-1**

NOTE: For RoHS Compliant Upper Level Assembly Replacement Part, if multiple parts are replaced by a common higher assembly part, only order ONE part of the higher level common assembly.

Shown in table 1-1, 1-2 are the original support part and its compatible RoHS replacement part/assembly.

Table 1-1: Replaceable Part (Part 1 of 2)

Ref/ D	Part Number	Description	Qty.	RoHS Compliant Replacement Part	Description	Qty.
1	42942-24007	SHAFT	2	42942-24007	SHAFT	2
2	0510-0083	RTNR-R	2	0510-0083	RTNR-R	2
3	1460-2615	SPRING	2	1460-2615	SPRING	2
4	42941-40002	BUSHING	2	42941-40002	BUSHING	2
5	1253-0476 (5012-8630)	ADPT BNC-SMB	4	5012-8630	ADPT BNC-SMB	4
6	3050-0067	WSHR-FL MTLC	4	3050-0067	WSHR-FL MTLC	4
7	3050-0789	WSHR-FL NM	4	3050-0789	WSHR-FL NM	4
8	2950-0054	TNUT-HEX-DBL- CHAM	2	2950-0054	TNUT-HEX-DBL- CHAM	2
9	2190-0054	WSHR-LK INTL	2	2190-0054	WSHR-LK INTL	2
10	42942-00602	COVER BOTTOM	1	42942-00602	COVER BOTTOM	1
11	16047-40002	INSULATOR	4	16047-40002	INSULATOR	4
12	0515-0914	SCR-MACH M3X0.5	2	0515-1946	SCR-MACH M3X0.5	2
13	42941-25002	SLEEVE	2	42941-25002	SLEEVE	2
14	42942-25006	BNC-GUIDE	1	42942-25006	BNC-GUIDE	1
15	42941-24003	GUIDE	2	42941-24003	GUIDE	2
16	42942-00603	COVER	1	42942-00603	COVER	1
17	0515-0914	SCR-MACH M3X0.5	2	0515-1946	SCR-MACH M3X0.5	2
18	0515-1551	SCR M3-L 10 P-H	2	0515-0372	SCR M3-L 10 P-H	2

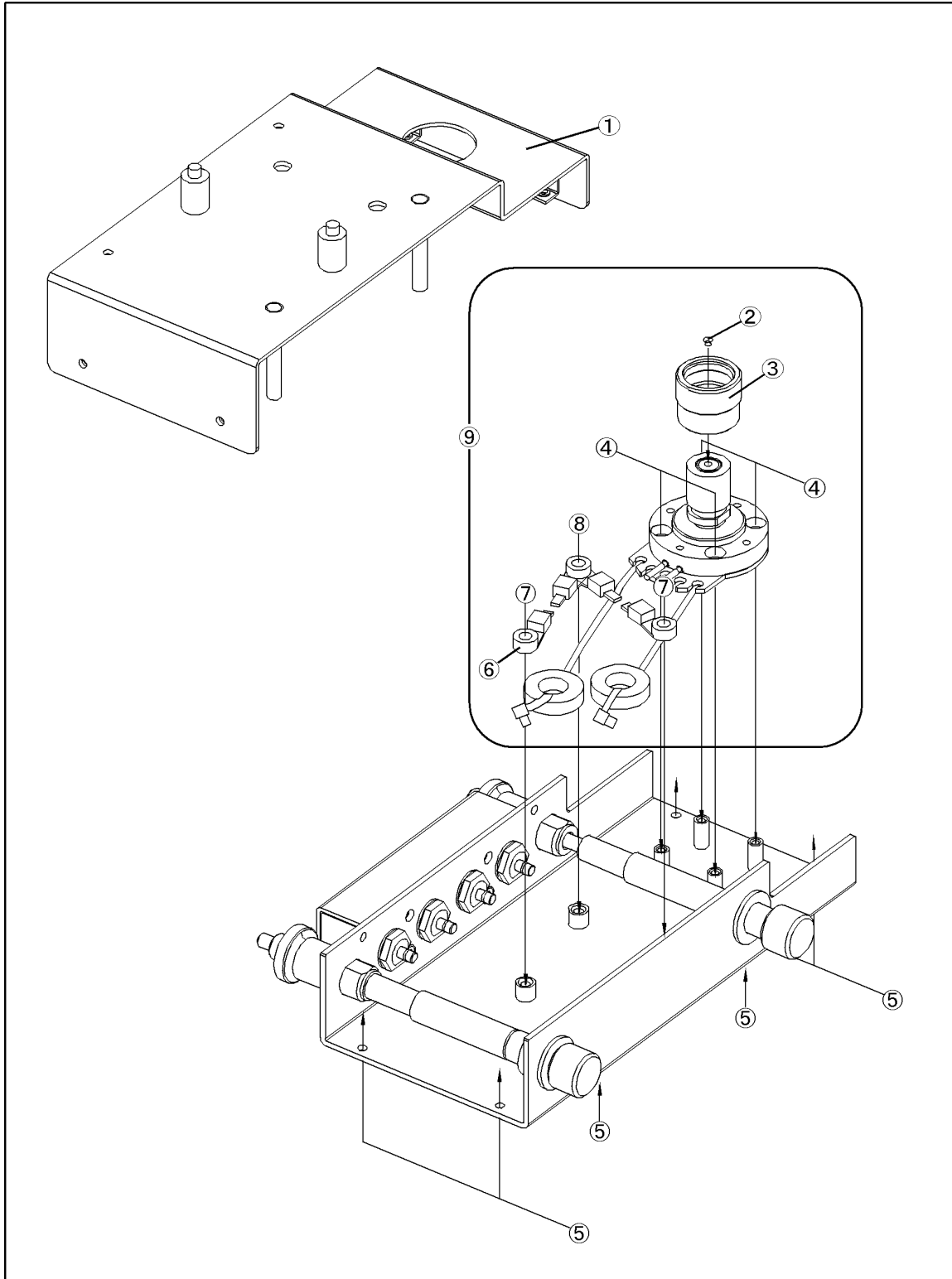


Figure 1-2

Table 1-2: Replaceable Part (Part 2 of 2)

Ref/ D	Part Number	Description	Qty.	RoHS Compliant Replacement Part	Description	Qty.
1	42942-00601	COVER TOP	1	42942-00601	COVER TOP	1
2	1250-0907	CONTACT CENTER	1	1250-0907	CONTACT CENTER	1
3	1250-1466	CONN-RF 7mm	1	1250-1466	CONN-RF 7mm	1
4	0515-1550	SCR M3-L 8 P-H	4	0515-0372	SCR M3-L 8 P-H	4
5	0515-0914	SCR-MACH M3X0.5	6	0515-1946	SCR-MACH M3X0.5	6
6	1400-0719 (1400-3284)	CABLE TIE	4	1400-3284	CABLE TIE	4
7	0515-1719 (0515-1718)	SCR M4X10(X12)	2	0515-0382	SCR M4X10(X12)	2
	3050-0893	WSHR-FL	2	3050-0893	WSHR-FL	2
8	0515-1718 (0515-0868)	SCR M4X12(X16)	1	0515-0383	SCR M4X12(X16)	1
	3050-0893	WSHR-FL	1	3050-0893	WSHR-FL	1
9	42942-60001	7mm ASSY (exclude 4.6.7.8)	1	42942-60601	7mm ASSY (exclude 4.6.7.8)	1

Revision History:

Revision Number	Date	Author	Reason For Change
1.0	19 Apr 2013	LS	As published