

4294A-05E

Information Only Service Note

Supersedes:
4294A-05D

4294A Precision Impedance Analyzer

Serial Numbers: See Solution/ Action
Manufacturing ID Number: N/A.

Part Number Changes for LCD and LCD Assemblies with backlight lamp change recommendation

Parts Required:

See Solution/ Action
To Be Performed By: Keysight- Qualified Personnel

ADMINISTRATIVE INFORMATION

Calibration Required
 Calibration NOT Required

PRODUCT LINE: WN
AUTHOR: ls

ADDITIONAL INFORMATION:

Note - The backlight lamp Part Number (2090-0566) was changed to 5188-1364. 5188-1364 is for 4294A use only. Do not use 5188-1364 for other products. Other products repair must be done at the upper level.

Situation:

The LCD (P/N 2090-0574) used for the 4294A was obsolete and replaced with a new LCD which employs a long-life backlight lamp. It is assumed that lifetime of old LCD's backlight will end in 2004 and after. So, when the backlight lamp of the old LCD is faulty (burned-out), replace only the lamp (P/N 5188-1364) with a new one, not whole LCD unit. This is because the old LCD (2090-0574) unit was no longer supplied and we cannot have enough number of it to replace all defective LCD units.

When the LCD itself is faulty, replace the faulty LCD with the old type LCD (use P/N 5185-3731 in place of the obsolete P/N 2090-0574) or new LCD (P/N 2090-0984) depending on the instrument serial number. (The LCD contains the backlight lamp, but the backlight lamp in the new LCD cannot be replaced independently)

The new LCD has different assembly size from old one and new replacement parts for the new LCD have been set up.

Solution/Action:

When repairing the LCD, use the appropriate replacement parts for the instruments with serial numbers shown below.

Serial Numbers: JP2KG01016 and below.

Replace backlight lamp only.

Table 1-1

Part Number	Qty.	Description
5188-1364	1	Lamp (Assembly for Sharp 8.4)

Replace whole OLD LCD units.

Table 1-2

Part Number	Qty.	Description
5185-3731 * 1	1	A52 LCD 8.5 inch
0950-2924 (Replaced by E4970-65001)	1	A54 Inverter
04294-04001	1	Cover
E4970-25002	1	Insulator
04294-61620	1	Cable
04294-00603	1	Case Shield
04294-60001	1	Chassis

*1: Refer to the above "Situation" part, and change only a lamp (2090-0566) if it is burnt.

Note: If any of the above listed PN is depleted and no direct replacement is identified, replace the upper level assembly - LCD assembly **04294-60102**.

Serial numbers: JP2KG01017 to MY43202238

Shown is the original part numbers. Refer to figure 1-1 for illustration.

Table 2-1

Part Number	Qty.	Description
2090-0361	1	A52 LCD 8.5 inch
0950-4111	1	A54 Inverter
04294-04031	1	Cover
04352-25002	1	Insulator
04294-61623	1	Cable
04294-00607	1	Case Shield
04294-60011	1	Chassis

In the event of any of the part (A52 LCD and A54 inverter) is no longer orderable due to supplier discontinuance, replace the whole LCD Display Assembly **04294-60102**.

Shown is the change history.

Controller Bd	0950-3749	0950-4111	0950-2888	5012-8787
	4 watt, 1 output	5 watt, 1 output	4 watt 2-output	4 watt 2-output
LCD	2090-0361	2090-0361	2090-0984	5012-8868

Serial numbers: MY43202239 and above
 Replace LCD Display assembly **04294-60102**

Shown is the comparison between the LCD assemblies described in Table 2-1 and Table 2-2. Note on the significant hardware design change - horizontally installed inverter (older generation JP2KG01017 to MY43202238) versus vertically installed inverter (new generation MY43202239 and above).

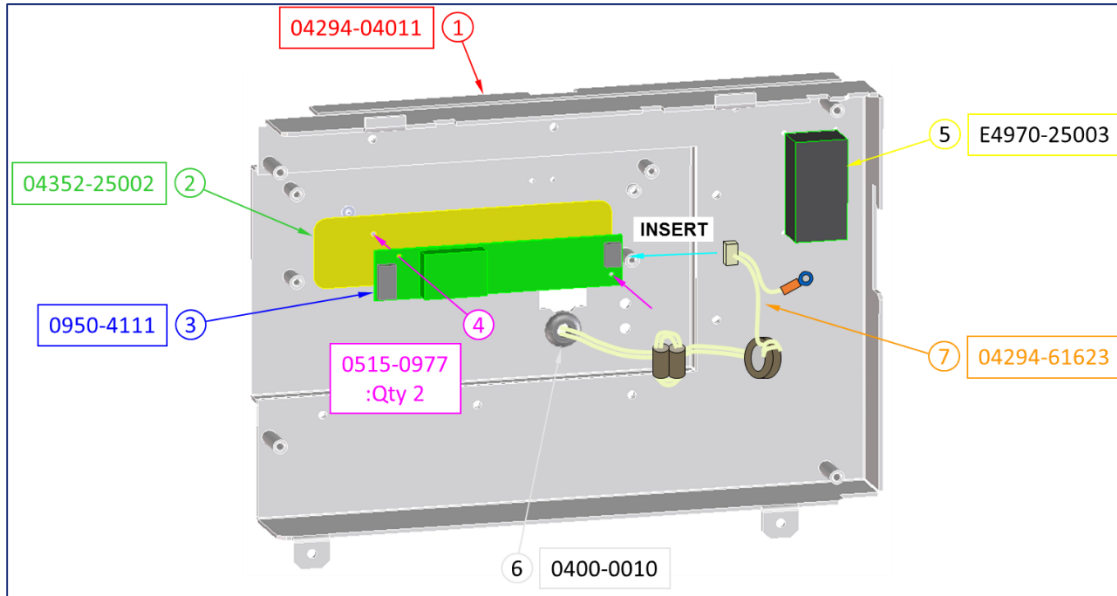


Figure1-1 Old Generation LCD Assembly

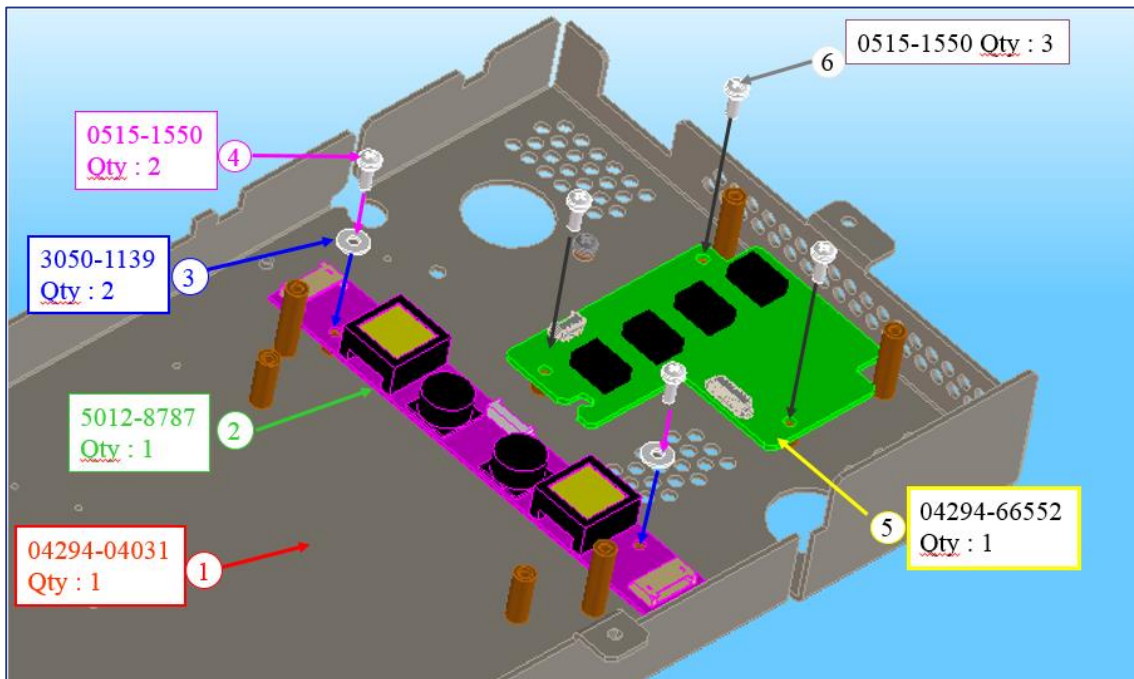
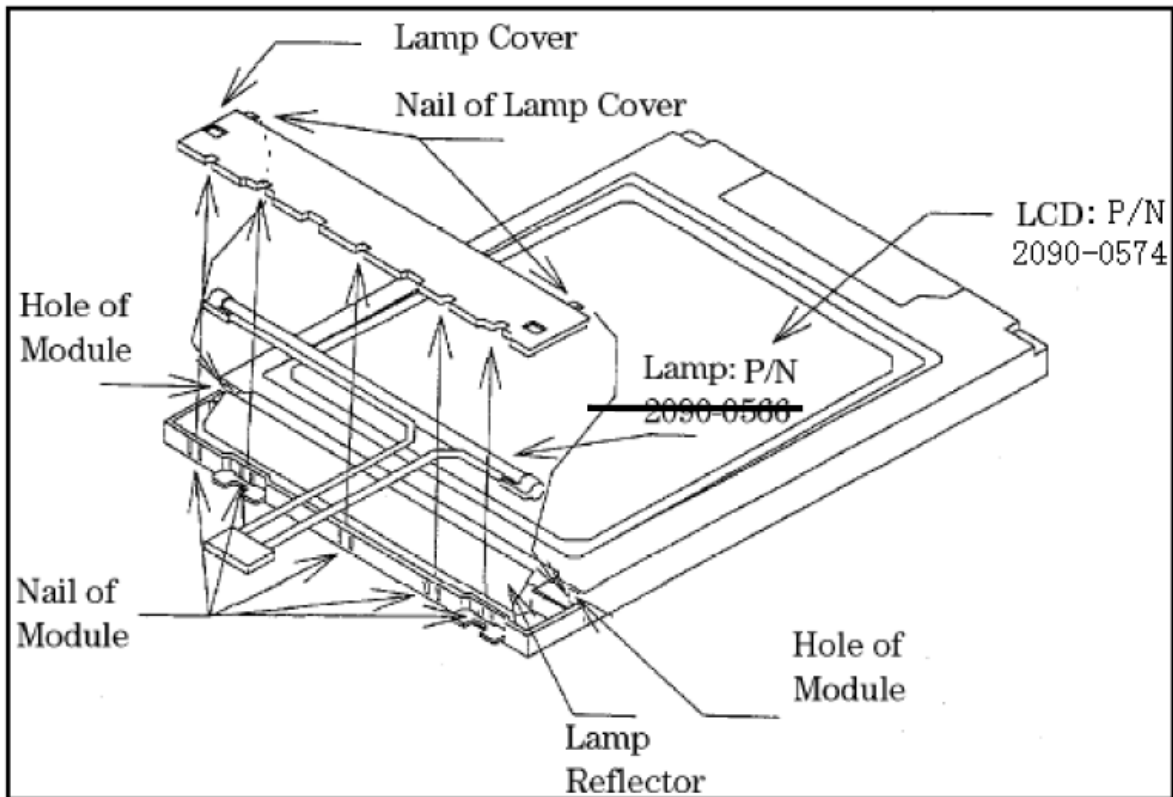


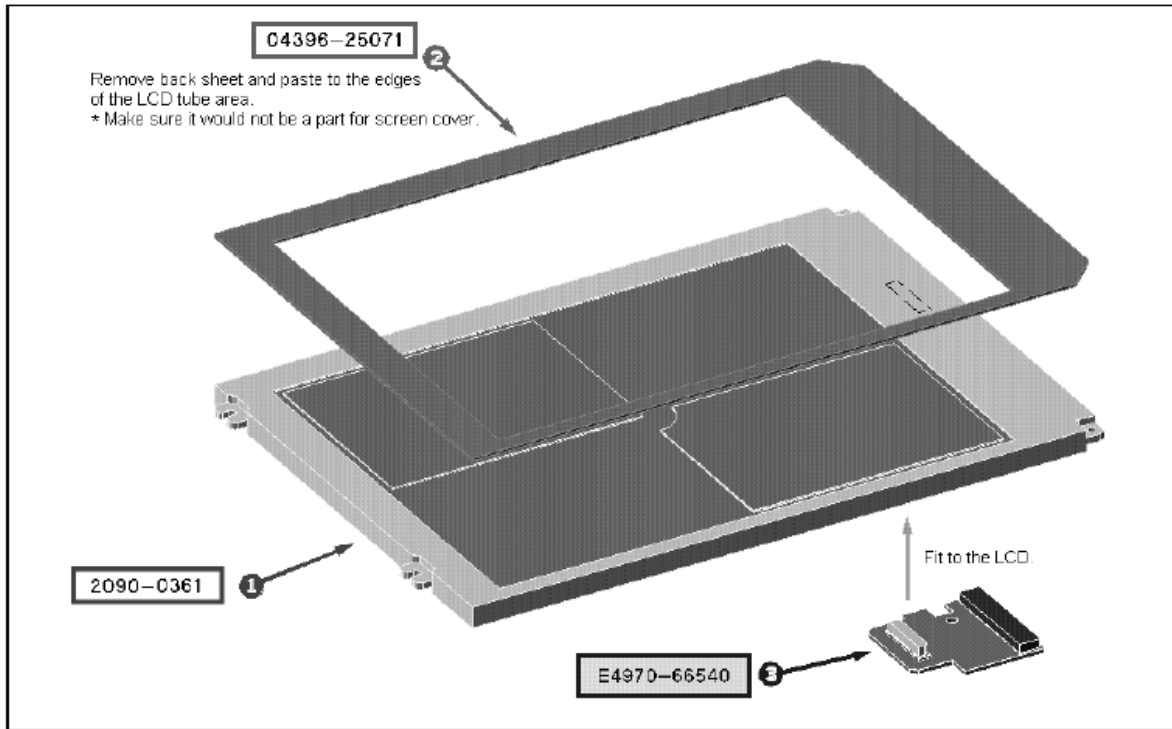
Figure 1-2 New Generation LCD Assembly

When replacing the backlight lamp in the old LCD, remove the lamp install new one as illustrated in the following figure.

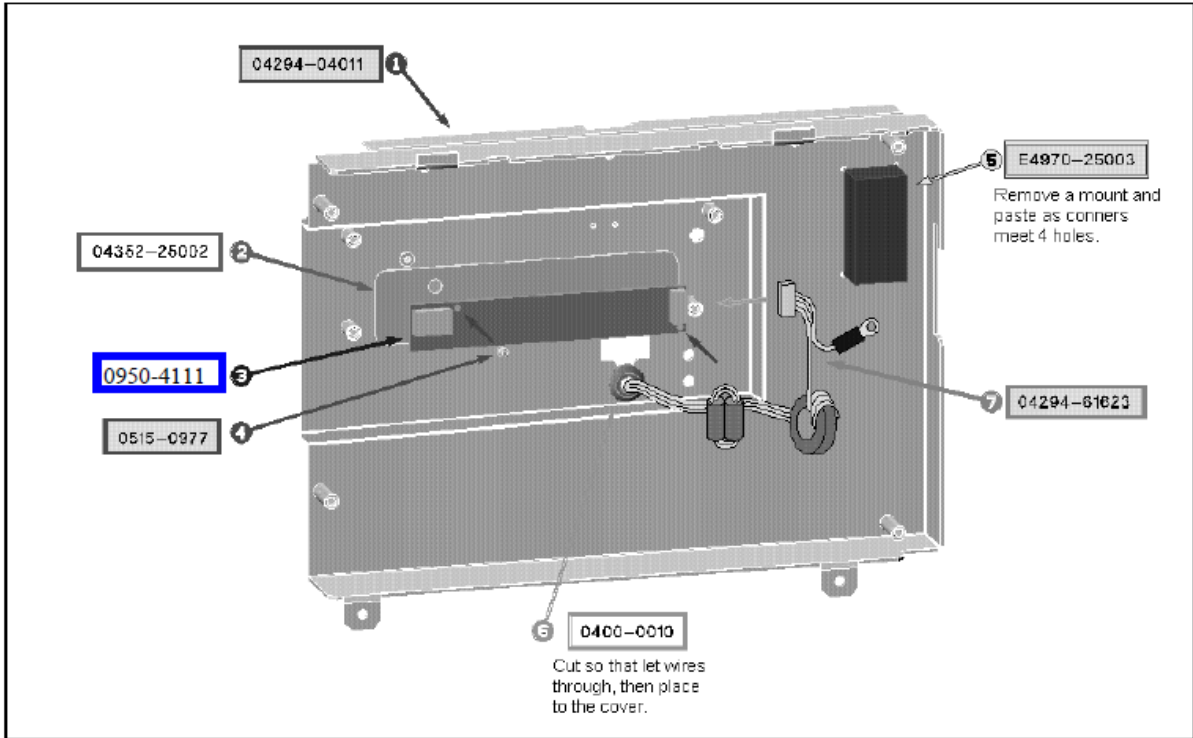


2090-0556 was replaced by 5188-1640

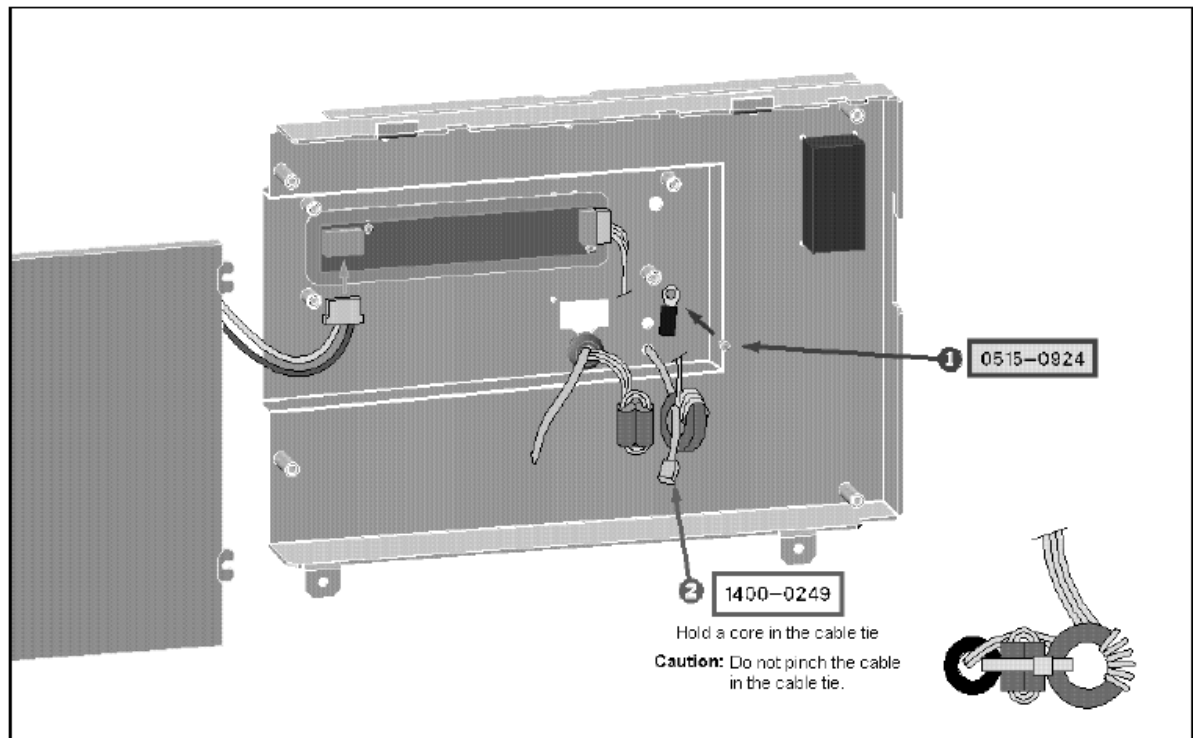
The procedure for the new LCD assemblies are as described below.



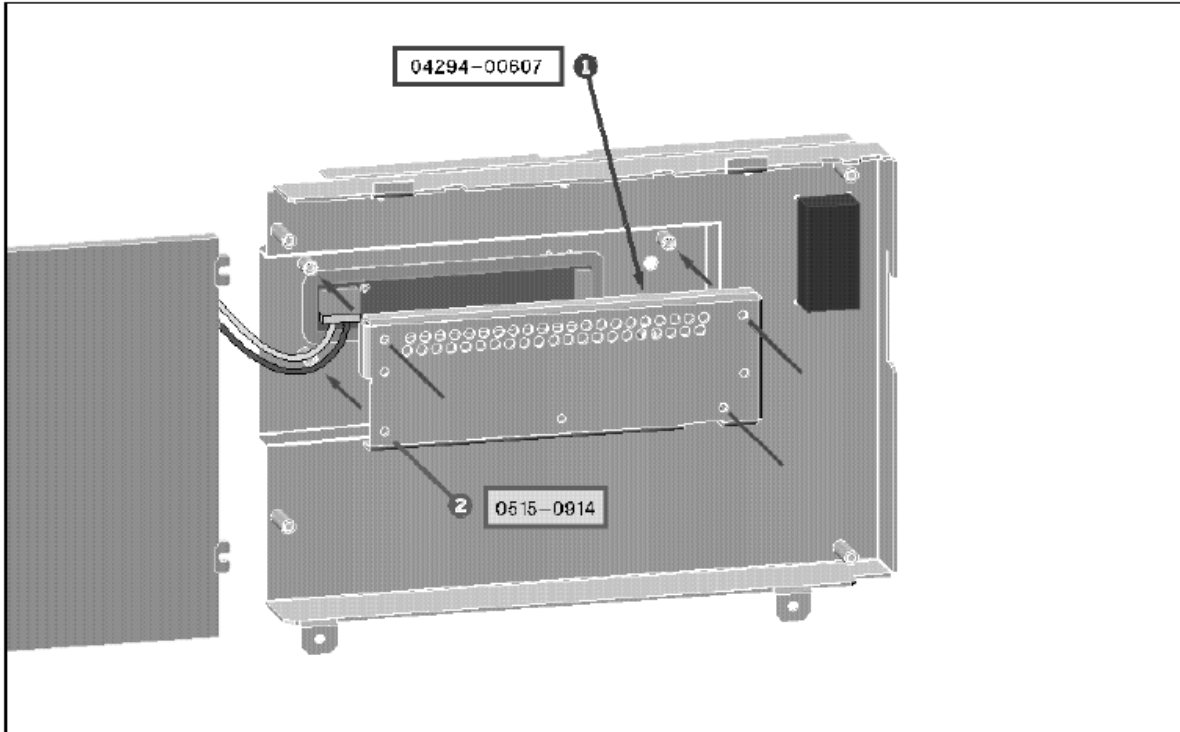
04294_64901a60



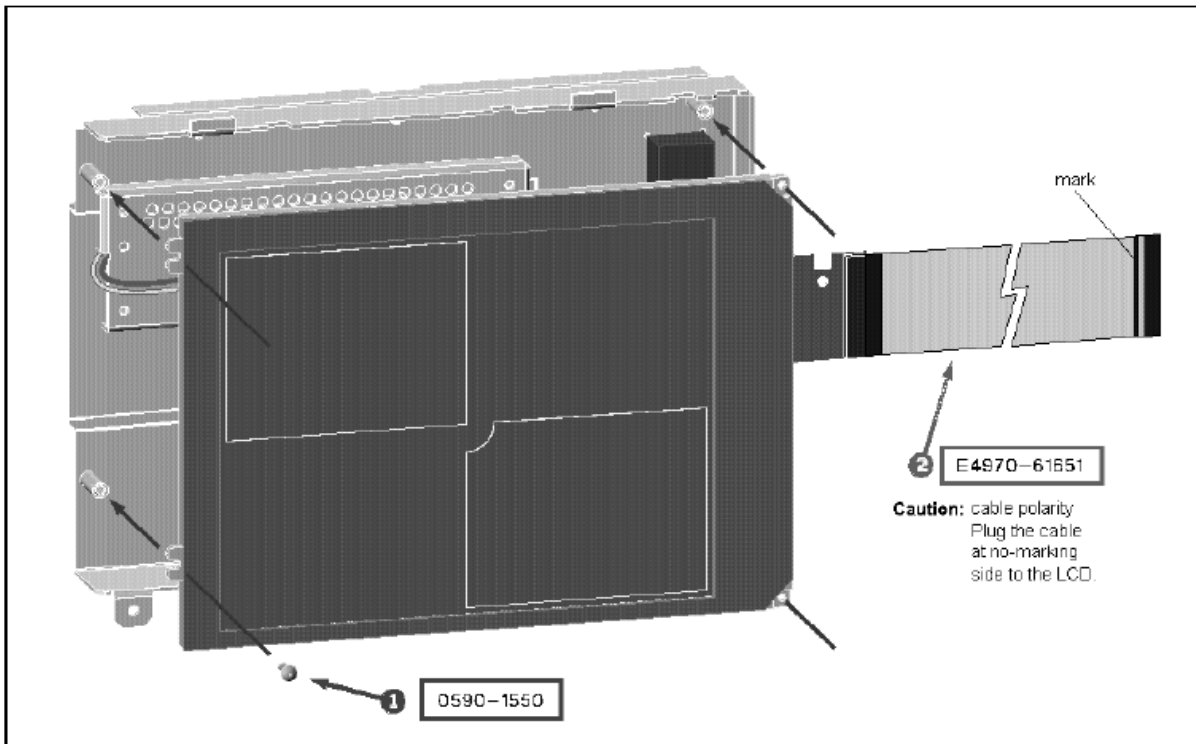
04294_64901a70



04294_64901a80



04294_64901a90



04294_64901b10

Revision History:

Date	Service Note Revision	Author	Reason for Change
Oct 22 nd , 2002	4294A-05	ho	As Published
June 17 th , 2003	4294A-05A	dk	Revision change
Mar 23 th , 2004	4294A-05B	dk	Revision change
Oct 18 th , 2005	4294A-05C	jm	The backlight lamp Part Number (2090-0566) was changed to 5188-1364. 5188-1364 is for 4294A use only. Do not use 5188-1364 for other products. Other products repair must be done at the upper level.
Oct 10 th , 2012	4294A-05D	ls	Revised PN
Dec 21 st , 2015	4294A-05E	ls	Added LCD assembly PN for unit s/n (JP2KG01017 to MY43202238) & (MY43202239 and above) once the support PN is depleted.