

INFORMATION ONLY – DOES NOT COMMUNICATE  
A MODIFICATION OR SAFETY CONDITION

**4395A-14A**

# **S E R V I C E N O T E**

Supersedes:  
4395A-14

## Agilent 4395A Network/Spectrum/Impedance Analyzer

**Serial Numbers:** See Solution / Action

**Part Number Changes for Power Supply Switch Parts**

**To Be Performed By:** Agilent-Qualified Personnel

**Parts Required:** See Solution / Action

### ADMINISTRATIVE INFORMATION

SERVICE NOTE CLASSIFICATION:

**INFORMATION ONLY**

AUTHOR: jm      PRODUCT LINE: WN

ADDITIONAL INFORMATION:

© AGILENT TECHNOLOGIES, INC. 2006  
PRINTED IN U.S.A.



July 26, 2006

**Situation:**

The power switch holder (P/N 04396-01274) and the power switch assembly (P/N 04396-61701) for the 4395A were obsoleted and replaced with new parts. Additionally, a new rod (P/N 04194-40001), which is inserted between the switch and LINE push-button, is set up.

**Solution/Action:**

When replacing the switch holder or the switch assembly, order appropriate parts depending on the serial number of the 4395A.

**Serial Number: JP1KE02221 and below**

When either the switch holder (P/N 04396-01274) or the switch assembly (P/N 04396-61701) is faulty, replace all the parts listed in Table 1 with the new parts shown in Table 2. Insert the rod (P/N 04194-40001) between the power switch and LINE push-button as shown in Figure 3.

**Serial Number: JP1KE02222 and above**

New switch holder and switch assembly are used in the 4395A. When replacing the switch assembly, holder or rod, use the replacement parts listed in Table 2.

Table 1 Old Parts (Obsoleted)

Part Number	Qty.	Description
04396-01274	1	Switch Holder
04396-61701	1	Switch Assembly
0515-1718	2	Screw fixing 04396-01274 on the chassis
0515-0999	2	Screw fixing Switch Assembly to Switch Holder

Table 2 New Replacement Parts

Part Number	Qty.	Description	Refer
04396-01276	1	Switch Holder	Figure 1 & 3
04396-61702	1	Switch Assembly	Figure 1 & 3
04194-40001	1	Rod for 04396-61702	Figure 2 & 3
5041-0564	1	Gate End	Figure 2
0515-1719	2	Screw fixing 04396-01276 on the chassis	Figure 3
0515-0914	2	Screw fixing Switch Assembly to Switch Holder	Figure 1

Figure 1 Attach Switch Assembly to Switch Holder

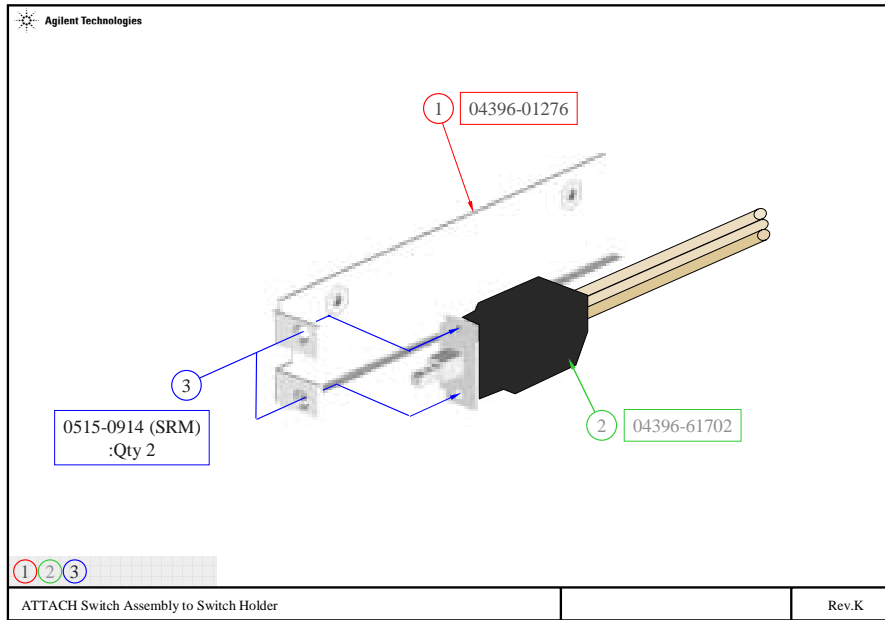


Figure 2 Assemble Key Rod Assembly

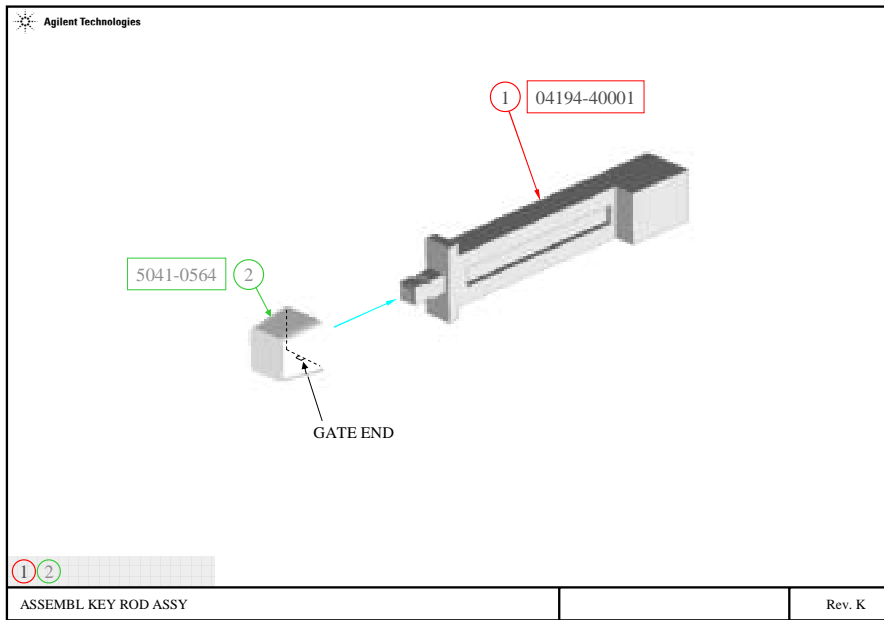
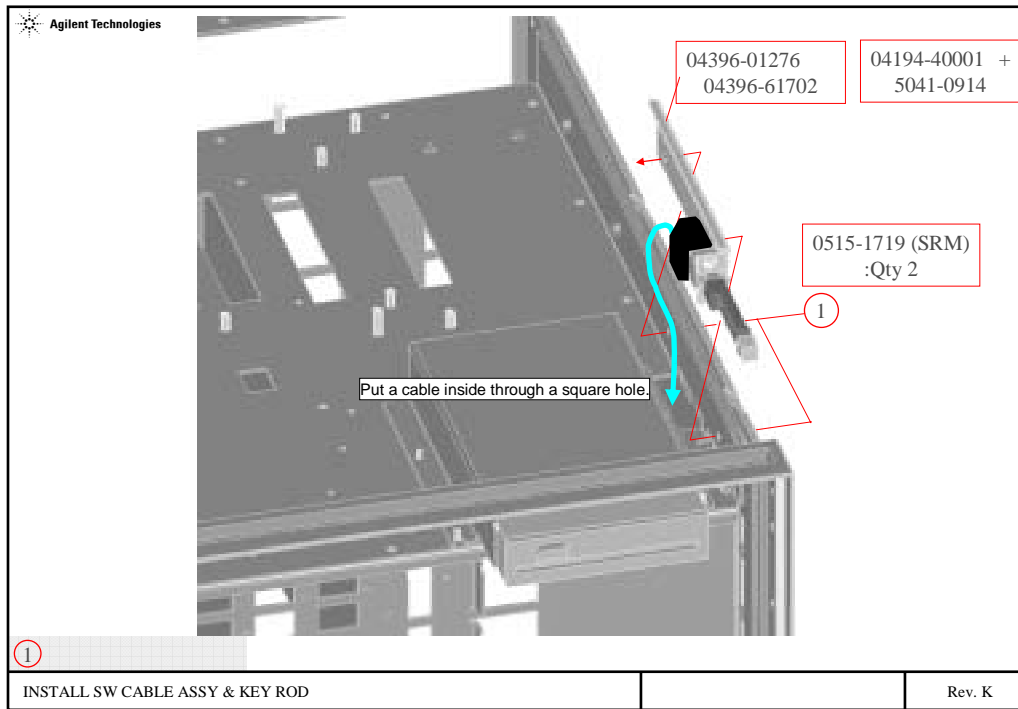


Figure 3 Install Switch Assembly and Key Rod



End of Document