

S E R V I C E N O T E

SUPERSEDES: None

4396B Network/Spectrum/Impedance Analyzer

Serial Numbers: 4396B: JP1KE00101 / JP1KE00386

Replacement for obsolete LCD P/N 2090-0534

To Be Performed By: Agilent-Qualified Personnel

Parts Required:

P/N	Description	Quantity
2090-0574	LCD 8.5 INCH	1
04396-25071	GASKET	1
E4970-61651	FLAT CBL FFC	1
E4970-66539	LCD MINI-BD	1
E4970-04002	COVER	1
0400-0010	GROM-RND	1
0515-1550	SCR M3-L 8 P-H	1

Situation:

The LCD with P/N 2090-0534 has obsolete and not available any more.

Solution / Action:

When the LCD P/N 2090-0534 become defective, a new replacement LCD P/N 2090-0574 and the above parts must be used due to the incompatibility of the flat cable connector pins assignment.

Assembly drawings follow.

After this, proceed the GSP board replacement described in the service note 4396B-04 to prevent the intermittent display trouble.

DATE: August 1998

ADMINISTRATIVE INFORMATION

SERVICE NOTE CLASSIFICATION:

INFORMATION ONLY

AUTHOR:

TI

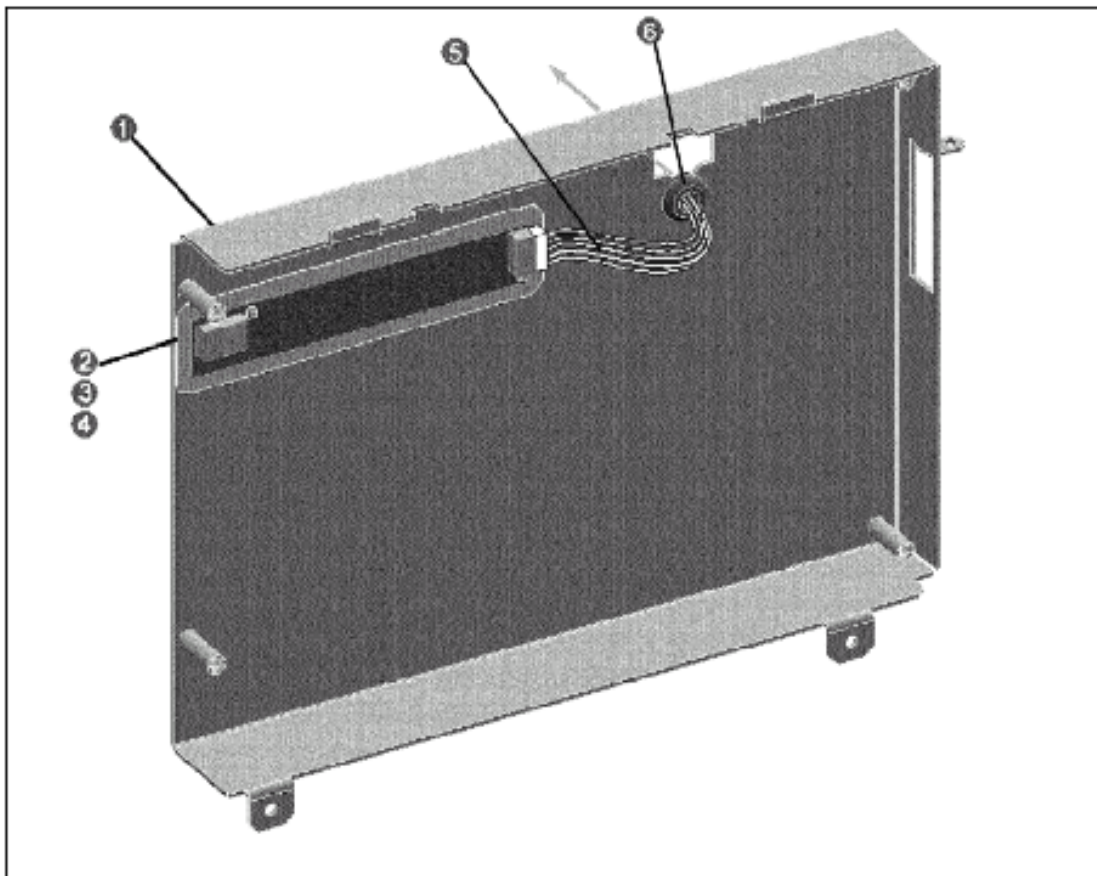
ENTITY:

3355

ADDITIONAL INFORMATION:



Replaceable Parts

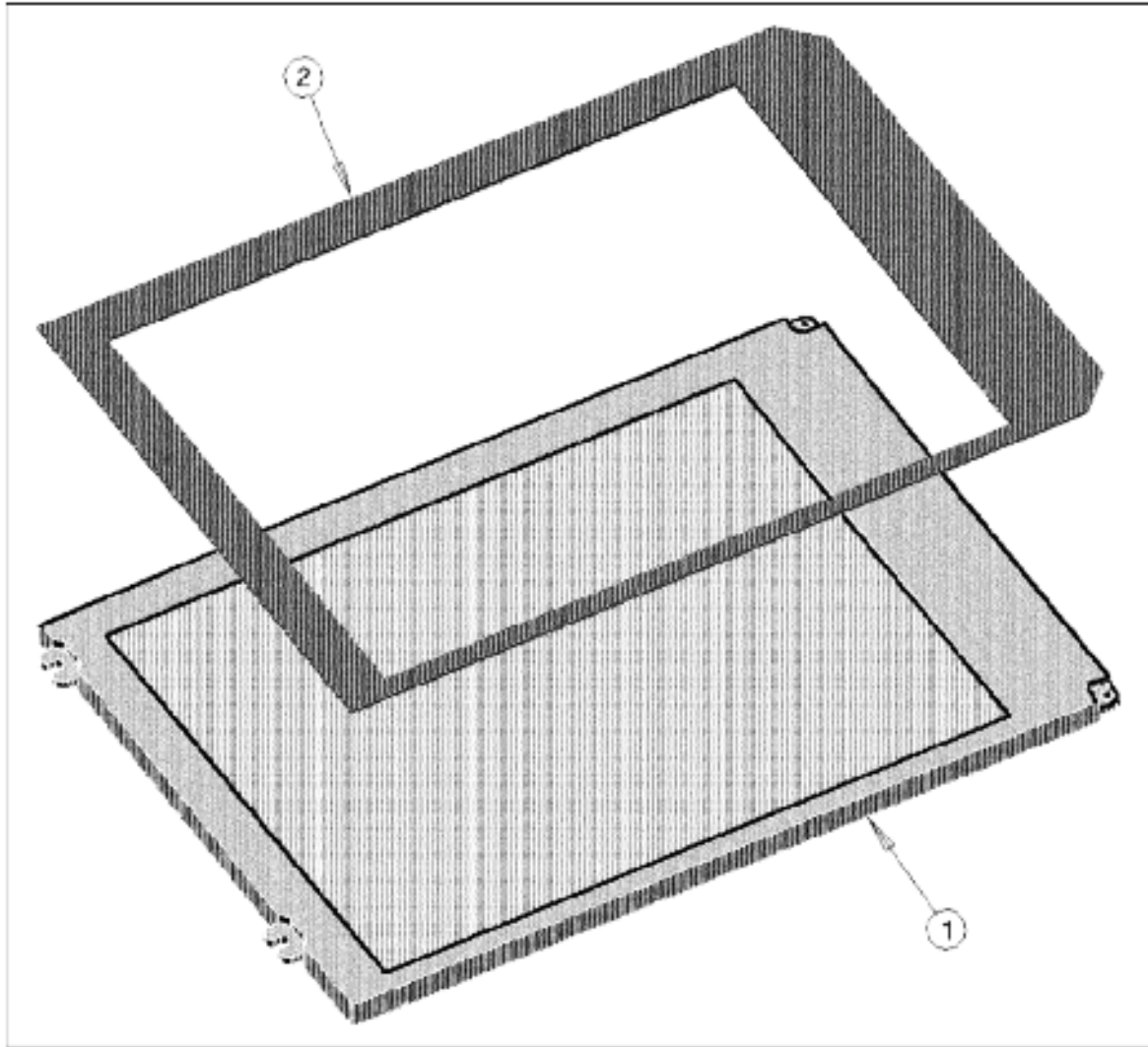


CD611046

Figure 12-10 Front Assembly Parts 3/7

Table 12-12 Front Assembly Parts 3/7

Ref. Desig.	HP Part Number	C D	Qty.	Description	Mfr Code	Mfr Part Number
1	E4970-04002	3	1	Cover	28480	E4970-04002
2	E4970-25002	8	1	Insulator	28480	E4970-25002
3	0950-2924	6	1	A54 Inverter Board	28480	0950-2924
4	0515-0977	3	2	SCR-MA2II M2X0.4	28480	0515-0977
5	04396-01709	5	1	Cable Assy	28480	04396-01709
6	0400-0010	2	1	Gromet	28480	0400-0010

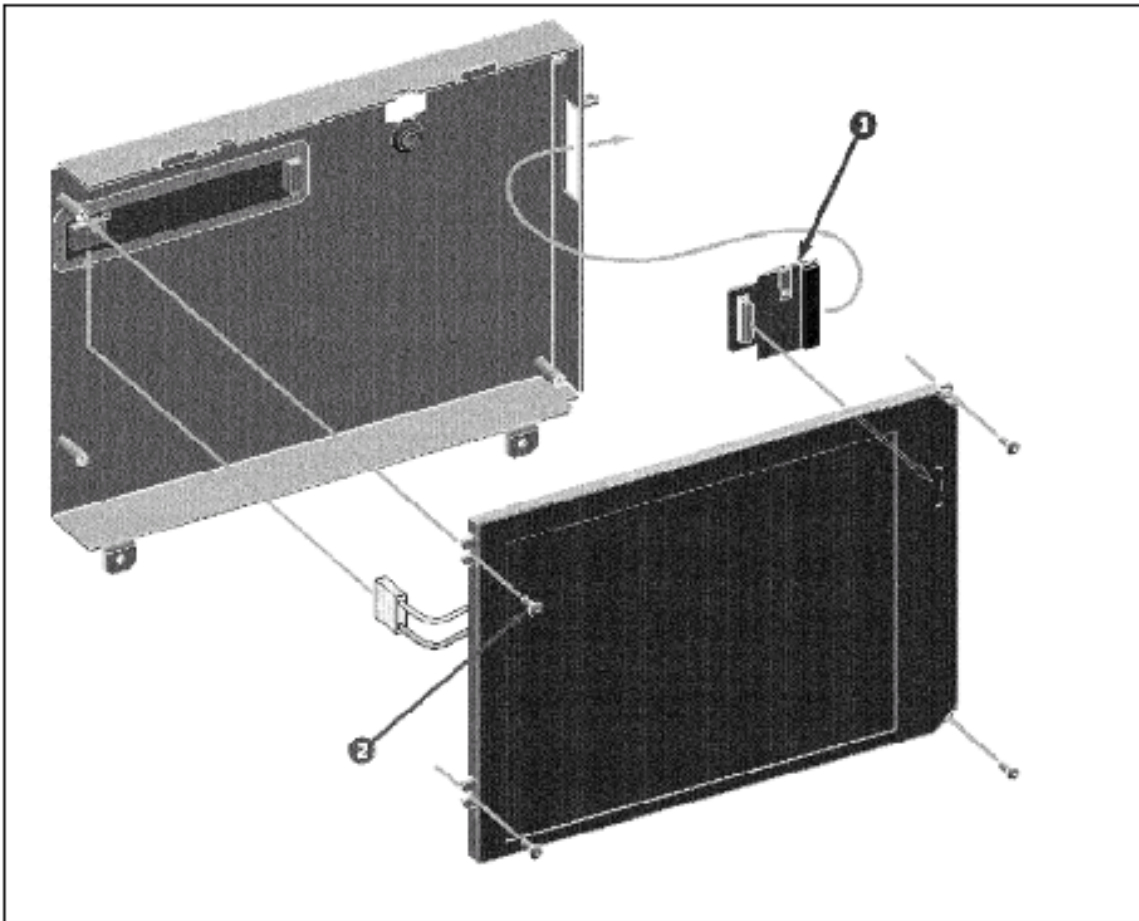


CDS11008

Figure 12-11 Front Assembly Parts 4/7

Table 12-13 Front Assembly Parts 4/7

Ref. Desig.	IIP Part Number	C D	Qty.	Description	Mfr Code	Mfr Part Number
1	2090-0574	7	1	A52 LCD	28480	2090-0574
2	04396-25071	8	1	Gasket	28480	04396-25071

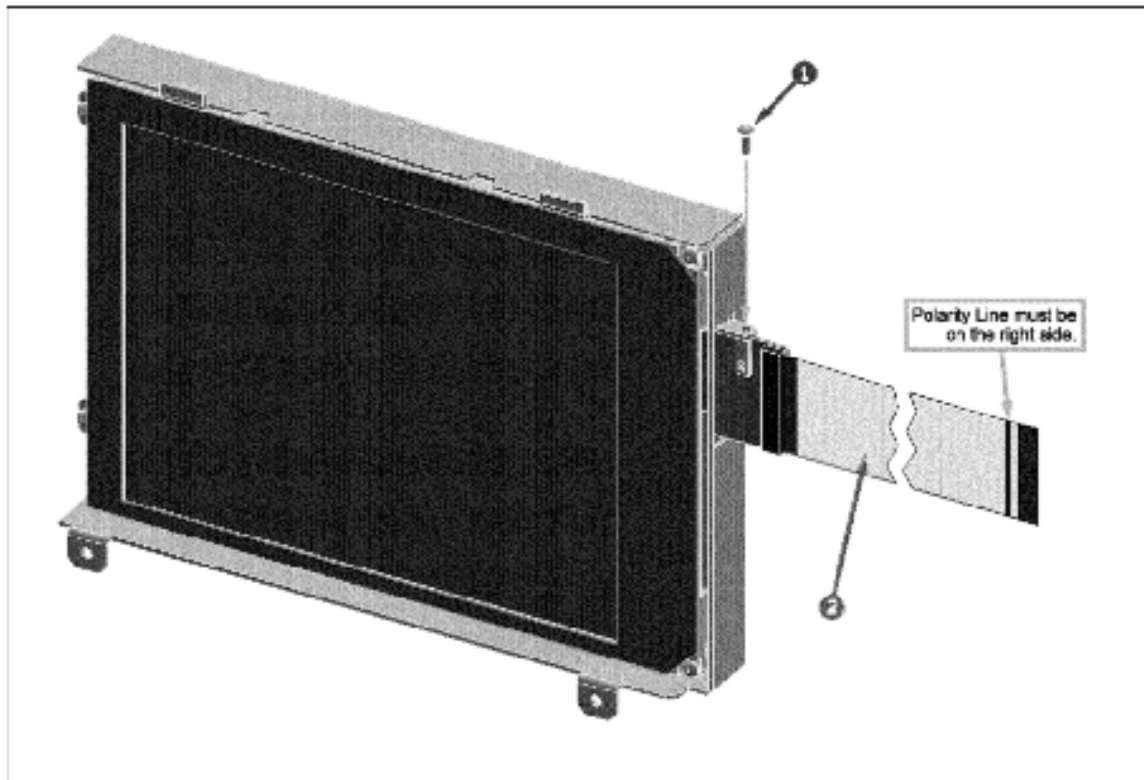


CDS11047

Figure 12-12 Front Assembly Parts 5/7

Table 12-14 Front Assembly Parts 5/7

Ref. Desig.	HP Part Number	C D	Qty.	Description	Mfr Code	Mfr Part Number
1	E4970-66539	2	1	LCD MINI-BD	28480	E4970-66539
2	0515-1550	0	4	SCR M3-L 8 P-H	28480	0515-1550

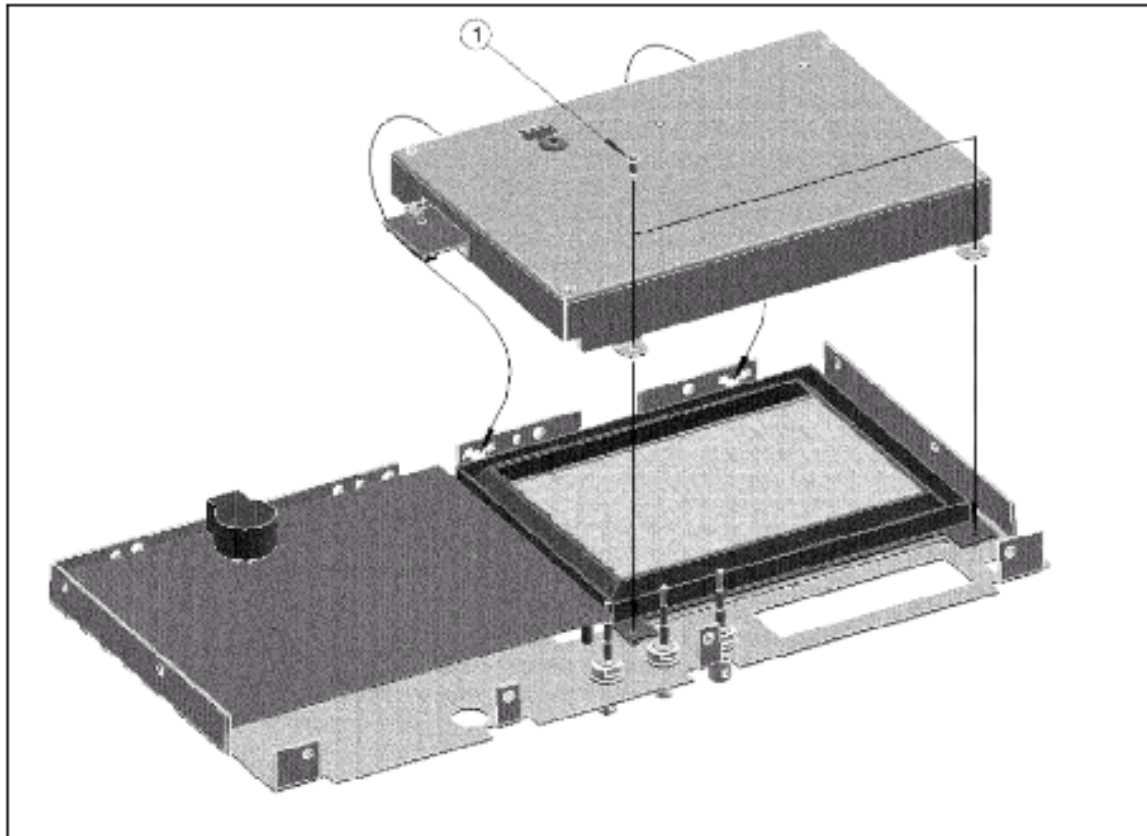


GDS11018

Figure 12-13 Front Assembly Parts 6/7

Table 12-15 Front Assembly Parts 6/7

Ref. Desig.	IP Part Number	C	D	Qty.	Description	Mfr Code	Mfr Part Number
1	0515-1550	0	1	1	SCR M3-L 8 P-H	28480	0515-1550
2	E4970-01651	0	1	1	FLAT CBL FFC	28480	E4970-01651



CDS11048

Figure 12-14 Front Assembly Parts 7/7

Table 12-16 Front Assembly Parts 7/7

Ref. Desig.	IIP Part Number	C D	Qty.	Description	Mfr Code	Mfr Part Number
1	0515-1550	0	2	SCR M3-L 8 P-II	28480	0515-1550