

S E R V I C E N O T E

SUPERSEDES: None

HP 4948A In-Service Transmission Impairment Measuring Set

Serial Numbers:

3024U00000 / 3024U01079
3024U01081
3024U01083 / 3024U01114

Measurement hang-up with Error Code 2000

Situation:

Some recent instruments have shown failures during measurement with a hang-up condition. The Error Code 2000 is displayed and operation can be recovered by re-powering the instrument.

Solution/Action:

Reflections in clock distribution signal to Condition Multiplexer circuit of the Signal Processor Clock Signal (SLIT) can cause this problem. The signal has been improved by the addition of a termination network.

In the event of a problem of this type occurring on any of the above units the termination network should be added.

Parts Required:

Termination Network 03774-60022

Continued

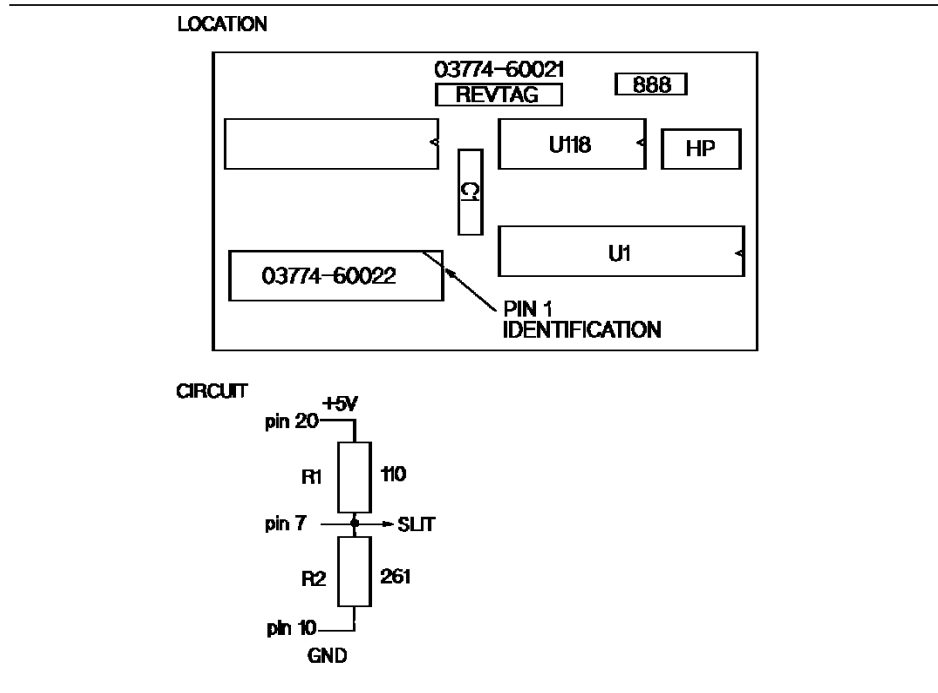
DATE: 15 July 1992

ADMINISTRATIVE INFORMATION

Table with 4 rows and 3 columns containing administrative information such as SERVICE NOTE CLASSIFICATION, ACTION CATEGORY, LOCATION CATEGORY, AVAILABILITY, and AUTHOR.



Add termination network part number 03774-60022 to the A9 piggy-back assembly 03774-60021. Note the network plugs into a spare 20 pin socket located on the piggy-back assembly. Orientation is indicated by chamfer at pin 1. See Figure below.



After replacement check the instrument passes power-on checks. This is indicated by the INDEX page being displayed after power-on test.