

S E R V I C E N O T E

SUPERSEDES: None

HP 4992A NodeLocator

Serial Numbers: 2926A00301 / 3149A01876

Modification to fix "Node Movement" or "Node Hopping," and Network performance (throughput) problem.

04992-66503 NodeLocator Main Board Assembly

NOTE

This service note DOES NOT apply to 04992-66501/66502 Assemblies.

To Be Performed By: HP-Personnel

Situation:

The HP4991A LanProbe node location is dependent upon receiving a well defined echo pulse from the HP4992A NodeLocator. This pulse has worked well in many applications until recently when the echo pulse began to create network performance problems or node location problems on some customer's networks.

Continued

DATE: 07 January 1992

ADMINISTRATIVE INFORMATION

SERVICE NOTE CLASSIFICATION:			
MODIFICATION RECOMMENDED			
ACTION CATEGORY:	<input type="checkbox"/> IMMEDIATELY <input checked="" type="checkbox"/> ON SPECIFIED FAILURE <input type="checkbox"/> AGREEABLE TIME	STANDARDS:	LABOR: 0.7 Hours
LOCATION CATEGORY:	<input type="checkbox"/> CUSTOMER INSTALLABLE <input type="checkbox"/> ON-SITE <input checked="" type="checkbox"/> HP LOCATION	SERVICE INVENTORY:	<input type="checkbox"/> RETURN <input type="checkbox"/> SCRAP <input checked="" type="checkbox"/> SEE TEXT
AVAILABILITY:	PRODUCT'S SUPPORT LIFE	USED PARTS:	<input type="checkbox"/> RETURN <input type="checkbox"/> SCRAP <input checked="" type="checkbox"/> SEE TEXT
AUTHOR: NB	ENTITY: 3800	RESPONSIBLE ENTITY: 3800	UNTIL: 07 January 1994
		ADDITIONAL INFORMATION:	



The problems seen could be:

1. Node "Hopping/Movement" - This is seen as node distance measurements moving when the node has not moved.
2. Throughput performance - There is a noticeable delay (increased time delay) between transmitted data and/or refreshing screen (graphic/text) between nodes on a customer's network.

The problem is NOT caused by the HP4991A LanProbe but by the HP4992A Node-Locator. If by removing the HP4992A returns the network to its normal performance, perform this modification.

The modification is to lower the echo pulse amplitude and to modify the HP4991A amplifier to accept the new pulse which will not affect the network performance.

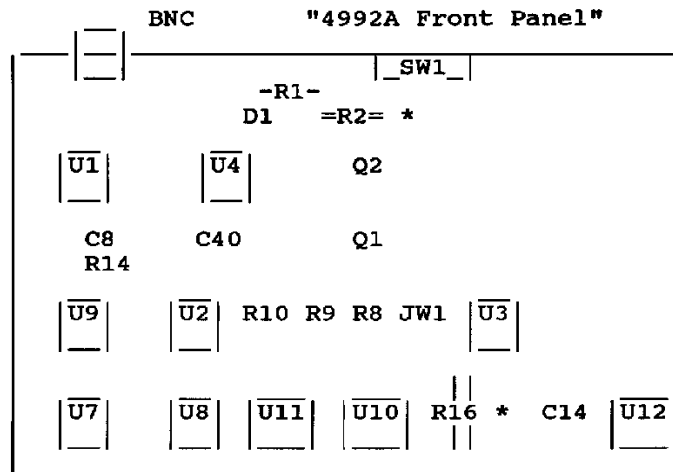
The HP4991A must also be modified. To modify the HP4991A LanProbe, consult service note 4991A-13.

Parts Required:

Part No.	Value / Description	Name
0757-0395	56.2 ohm	Resistor
0698-3153	3.83 Kohm	Resistor
04992-84306	"04991-66503 date code A-3149-38"	Label

Modification:

Pictorial: 4992A R2 and R16 Location



*** Using the pictorial:**

1. Locate and remove R2. Replace R2 with 0757-0395 56.2 ohm.
2. Locate and remove R16. Replace R16 with 0698-3153 3.83 K ohm.
3. Remove old board label and replace with new board label (new label has new date code).