

Supersedes:
None

HP MODEL 5345A ELECTRONIC COUNTER

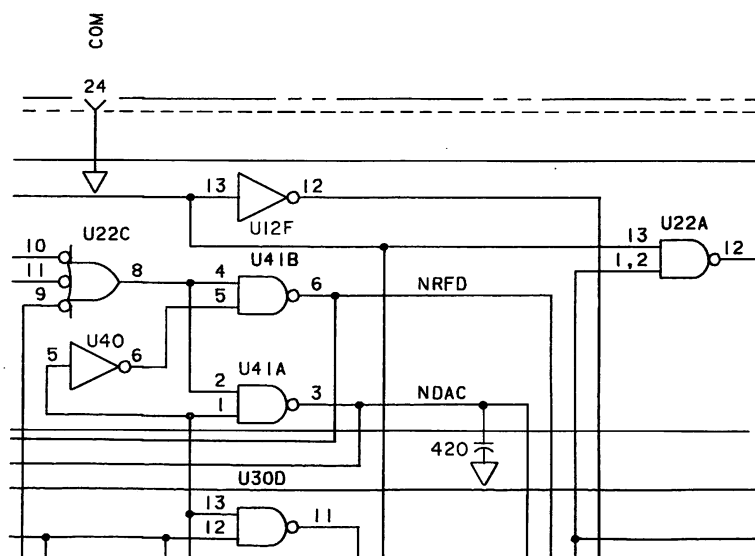
All Serial Prefixes

HP-IB MODIFICATION FOR OPTION 012 COMPATIBILITY WITH HP 1000L SERIES COMPUTERS

A modification is necessary so that the 5345A Option 012 counter can be compatibly used with the HP 1000L series computers. A capacitor, which is to be connected from the NDAC line to circuit common, causes a sufficient delay in the NDAC handshake line for proper operation with the HP 1000L series computers. If this delay capacitor is absent, the NDAC handshake line may go low before the data to the HP-IB A12 board has had time to be latched in.

A 420 pF capacitor, HP Part Number 0160-2539 is to be connected between pin 3 and pin 7 of U41 on the A12 Option HP-IB board.

This is how the modification appears on the schematic of the A12 board:



Record the changes in your operating and service manual.

D/PM,OF/WO

9/81-02/JL



For more information contact a local Hewlett-Packard Office. (Hewlett-Packard has 200 Sales and Service Offices in 75 countries).
Or write: Hewlett-Packard, 1501 Page Mill Road, Palo Alto, California 94304, U.S.A.

Printed in U.S.A.

1. The first part of the document discusses the importance of maintaining accurate records of all transactions and activities. It emphasizes that this is essential for ensuring transparency and accountability in the organization's operations.

2. The second part of the document outlines the various methods and tools used to collect and analyze data. It highlights the need for consistent and reliable data collection processes to support informed decision-making.

3. The third part of the document focuses on the role of technology in modern data management. It discusses how advanced software solutions can streamline data collection, storage, and analysis, leading to more efficient and accurate results.

4. The fourth part of the document addresses the challenges associated with data security and privacy. It provides strategies for protecting sensitive information and ensuring compliance with relevant regulations.

5. The final part of the document concludes by summarizing the key findings and recommendations. It stresses the importance of ongoing monitoring and evaluation to ensure that data management practices remain effective and up-to-date.