

8568B-04A

S E R V I C E N O T E

SUPERSEDES: 8568B-04

HP 8567A Spectrum Analyzer
 HP 8568A Spectrum Analyzer
 HP 8568B Spectrum Analyzer

Serial Numbers:

0000A00000/2517A02036

See text for other applicable serial numbers.

Duplicate Service Notes

8567A-11A

8568A-46A

8568B-04A

To Be Performed By:

Customers and HP-Qualified Personnel

Frequency Spur Correction

Parts Required:

Qty	Ref. Des.	Description	HP Part Number
2	A10C13/C14	Capacitor, 10 pF 200 V Ceramic	0160-3874
1	A9MP1	Shield	7100-1304

DATE: 21 December 1989

ADMINISTRATIVE INFORMATION

SERVICE NOTE CLASSIFICATION:		MODIFICATION RECOMMENDED	
ACTION CATEGORY:	<input type="checkbox"/> IMMEDIATELY <input checked="" type="checkbox"/> ON SPECIFIED FAILURE <input type="checkbox"/> AGREEABLE TIME	LABOR STANDARDS: 3.0 Hours	
LOCATION CATEGORY:	<input checked="" type="checkbox"/> CUSTOMER INSTALLABLE <input type="checkbox"/> ON-SITE <input type="checkbox"/> HP LOCATION	SERVICE INVENTORY: <input type="checkbox"/> RETURN <input type="checkbox"/> SCRAP <input checked="" type="checkbox"/> SEE TEXT	USED PARTS: <input type="checkbox"/> RETURN <input type="checkbox"/> SCRAP <input checked="" type="checkbox"/> SEE TEXT
AVAILABILITY: PRODUCT'S SUPPORT LIFE		RESPONSIBLE ENTITY: 5300 UNTIL: Feb 1992	
AUTHOR: BF ENTITY: 5300		ADDITIONAL INFORMATION:	

©1989 HEWLETT-PACKARD COMPANY
 PRINTED IN U.S.A.



Table of Affected Serial Numbers	
8567A	0000A00000/2541A00137
8568A	0000A00000/2517A03270
8568B	0000A00000/2517A02036

Situation:

Signals from the A23 RF Converter Assembly feed through the A9 Pilot Second IF Amplifier Assembly and mix with the A10 Pilot Third Converter Assembly. This prevents the spectrum analyzer's meeting specifications for spurious responses (75 dB below -40 dBm total signal power at the input mixer).

This condition generates two families of spurs:

$(5 + 20 \times N)$ MHz, and $(12 + 20 \times N)$ MHz, where N equals the harmonic number of the 20 MHz Comb Generator

Solution/Action:

If any of these spectrum analyzers display these spurs above the specification limit, the A9 and A10 assemblies should be modified.

Modification Procedure:

1. Separate the two instrument sections and set the IF-Display section aside.
2. Remove the two rear feet and the bottom cover from the RF section.
3. Using a #1 pozidrive screwdriver, remove the 4-40 screws from around the A9 Pilot Second IF Amplifier and the A10 Pilot Third Converter Assemblies. Remove these assemblies from the instrument and place them on a static-free work surface.
4. Solder A9MP1 (HP part number 7100-1304) to the ground plane as shown in Figure 1.

NOTE

The shield is installed over the A9 lowpass filter. First remove the upright shield between this filter and A9C9 and A9L4, if present.

5. Install the two 10 pF capacitors on the A10 assembly. See Figure 2.
 - a. Solder one lead of A10C13 to A10J1 and the other lead to the ground plane.
 - b. Solder one lead of A10C14 to A10J2 and the other lead to the ground plane.
6. Install the A9 and A10 assemblies into the RF section.

Replace all screws, cover and feet. The spectrum analyzer is now ready for testing.

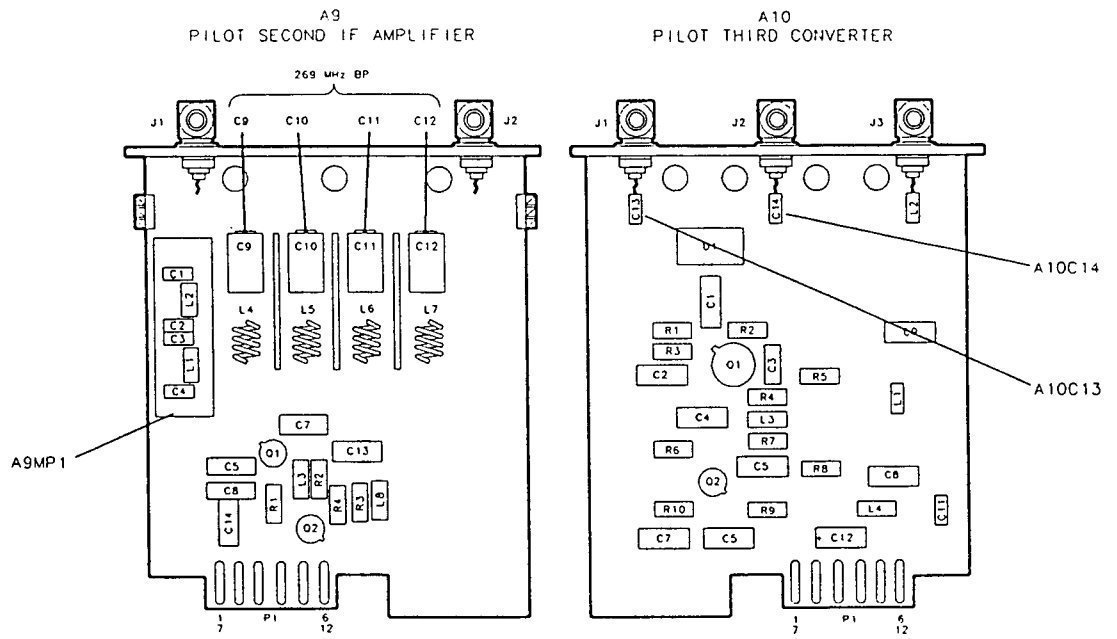


Figure 1. Component Locations

File

Subject: 8568B-8A
Creator: Sally CARSTENSEN / HP5300/M0 Dated: 02/25/93 at 1752.

8568B-8A

PRELIMINARY SERVICE NOTE

SUPERSEDES: 8568B-8

HP 8568B Spectrum Analyzer
HP 85680B RF Section

Serial Numbers:
85680B RF Section 0000A00000 / 999A99999

Exceptions: None

RF ATTENUATOR WITH CALIBRATION ROM REPLACEMENT

To Be Performed By: HP-qualified personnel

Parts Required: Attenuator Retrofit Kit, HP part number
85680-60228.

Situation:

HP 85680B spectrum analyzer RF sections serial prefix 2732A and below require changing the attenuator power cable (W42) when replacing the RF step attenuator A5AT1 and attenuator calibration PROM A12U17. The W42 attenuator power cable is include in the Attenuator Retrofit Kit.

Solution/Action

The RF Attenuator Retrofit Kit, HP part number 85680-60228 includes all parts and instructions required to install the RF attenuator (included in the kit) into an HP 85680B spectrum analyzer RF section.

Each RF attenuator is accompanied by a customized attenuator calibration PROM which provides attenuator correction data necessary to achieve the instrument's specified amplitude accuracy. Each RF attenuator is individually characterized so replacement PROMS are not separately available. The PROM (A12U7) installs into a 16-pin DIP socket on the A12 RF Interface Assembly.

Date: 22 February 1993

* *

* *

* * MODIFICATION AVAILABLE * *

* ----- *

* REASON: PERFORMANCE ENHANCEMENT _____ *

* or *

* SERVICEABILITY/RELIABILITY ENHANCEMENT X _____ *

* LOCATION CATEGORY: CUSTOMER INSTALLABLE X ON-SITE _____ *

* HP LOCATION _____ *

* AVAILABLE UNTIL: Support Life _____ *

* AUTHOR/ENTITY: Bill Scharf 5300 _____ *

* ADDITIONAL INFO: _____ *
