

## S E R V I C E N O T E

SUPERSEDES: None

**HP 8566B Spectrum Analyzer  
HP 85660B RF Section****Serial Numbers:** 85660B RF Sections  
0000A00000 / 9999A99999**Recommended replacement for A10A6U2 OP AMP****Situation:**

Due to a part discontinuance, the 14-pin version of A10A6U2, HP part number 1826-0457, will no longer be loaded at the factory. All 14-pin op amps which remain in stock will be available for field service.

The replacement part is an 8-pin op amp, HP part number 1826-0250, which requires installation instructions since the PC board layout has not changed.

The latest A10A6 PLL2 Phase Detector Assembly is Hp part number 85660-60389 and has the 8-pin op amp installed. If U2 fails on this assembly, replace it with another 8-pin op amp.

Although the 1826-0457 14-pin op amp is no longer used in production, it is still a valid replacement part and will be available until the stock is depleted. Therefore early A10A6 assemblies with U2 failures can be repaired with the 14-pin part.

*Continued*

DATE: October 1994

## ADMINISTRATIVE INFORMATION

SERVICE NOTE CLASSIFICATION:

**INFORMATION ONLY**

AUTHOR:	ENTITY:	ADDITIONAL INFORMATION:
BS	5300	

© 1994 HEWLETT-PACKARD COMPANY  
PRINTED IN U.S.A.

**Solution / Action:**

The following procedure outlines how to install the 8-pin op amp (U2) into the 14-pin "foot-print" on the PC board.

Figure 1 shows the bottom view of the op amp. The op amp leads are pointing towards you. Remove (cut off) lead 5 and form the remaining leads as shown.

Insert insulating tubing over lead 7 to prevent lead 7 from shorting to lead 6.

Figure 2 shows U2 inserted into the PC board.

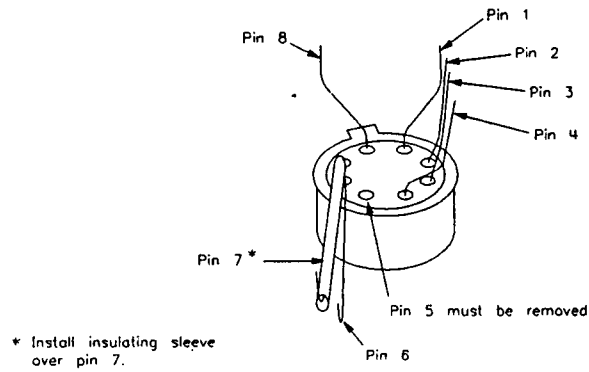


Figure 1. How to form the part (bottom view).

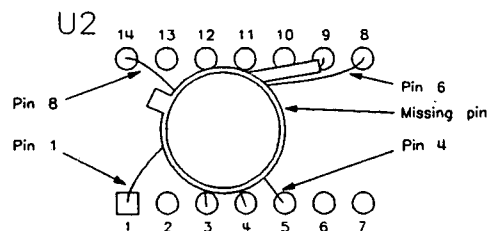


Figure 2. Top view of U2 loaded into the PC board.