

INFORMATION ONLY – DOES NOT COMMUNICATE
A MODIFICATION OR SAFETY CONDITION

E5070B-05A

S E R V I C E N O T E

Supersedes:
E5070B-05

E5070B ENA Series Network Analyzer, 300 kHz to 3 GHz

Serial Numbers: MY422xxxxx
MY423xxxxx

**A4 Power Amp Module, A8 RF Switch, A7 Source Step Attenuator Assembly,
and Semi-rigid RF Cables parts number change**

Parts Required:
See Solution/Action

ADMINISTRATIVE INFORMATION

SERVICE NOTE CLASSIFICATION: INFORMATION ONLY
AUTHOR: DK PRODUCT LINE: WN
ADDITIONAL INFORMATION:

© AGILENT TECHNOLOGIES, INC. 2004
PRINTED IN U.S.A.

April 5, 2004



Situation:

From the units those serial prefix numbers are MY422, and MY423, A4 Power Amp Module, A8 RF Switch, A7 Source Step Attenuator assembly, and Semi-rigid RF cables parts numbers are changed due to a design change. When these parts are replaced, use new parts. Old parts are not compatible in performance.

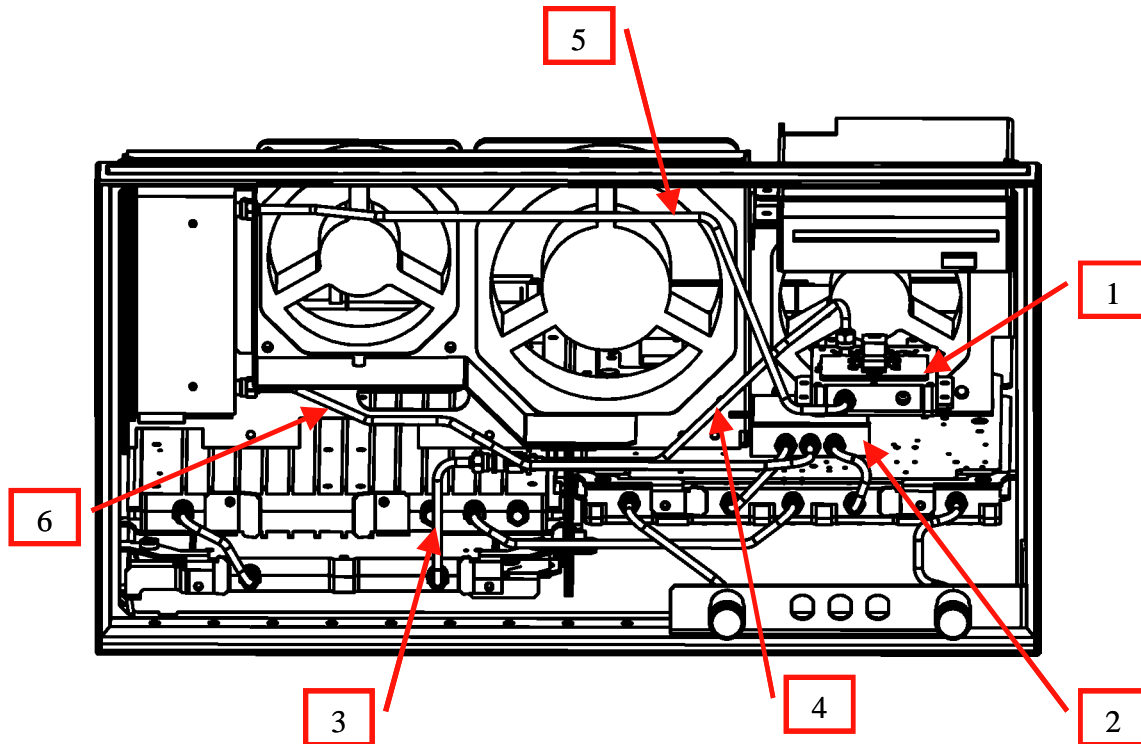
Note: Use programs with their revision A.02.22 or later for adjustment and A.02.10 or later for performance test.

Solution/Action:

Please refer to the following figures and lists for detail parts numbers and positions.

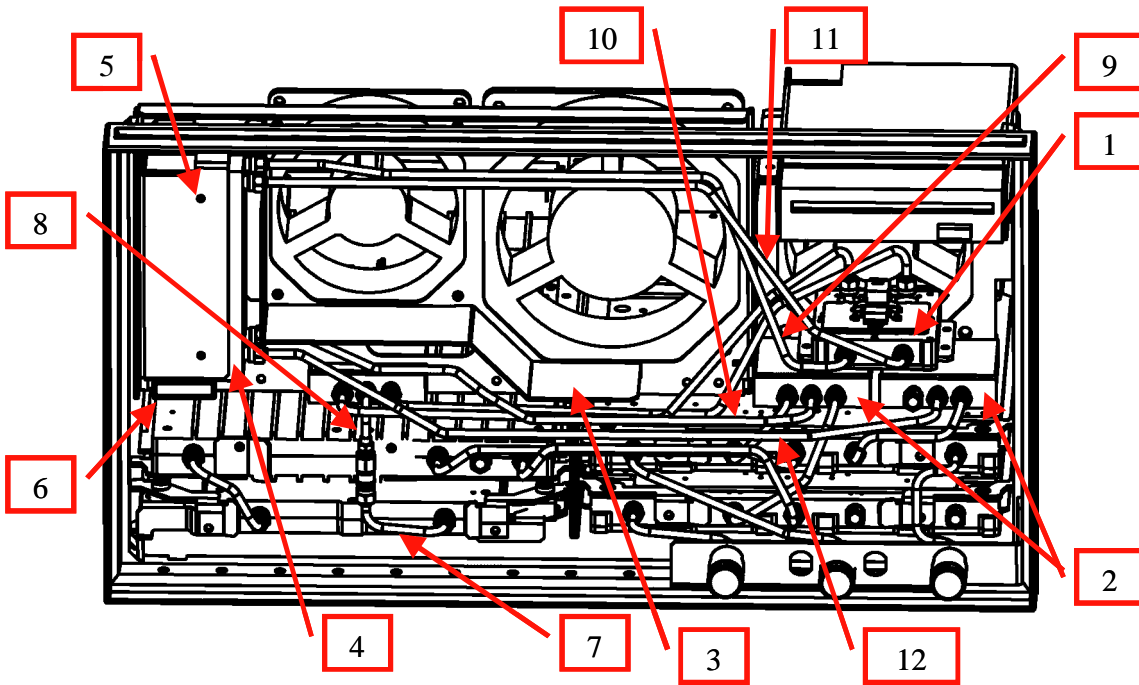
Note: In E5070B-05A, A4 power amp module's part number was changed from E5071-61006/7 to E5071-65008/9 compared to E5070B-05 service note.

For E5070B-214 (2port option) with MY422xxxxx, MY423xxxxx use the following parts



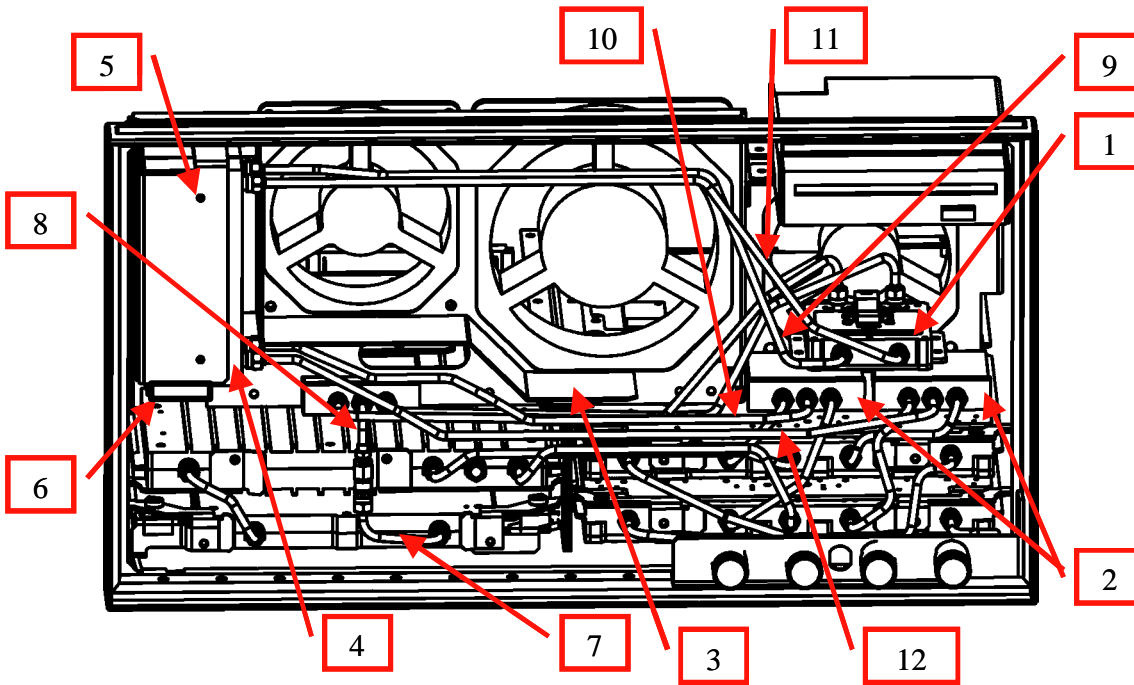
Ref No.	P/N	Description	Qty.	old parts for JP1KK or MY421
1	E5071-65009	A4 Power Amp Module	1	E5071-61005
2	5087-7272	A8 RF Switch	1	5087-7137
3	E5070-61671	Semi-rigid RF cable	1	N/A
4	E5070-61672	Semi-rigid RF cable	1	N/A
5	E5070-61633	Semi-rigid RF cable	1	N/A
6	E5070-61634	Semi-rigid RF cable	1	N/A

For E5070B-314 (3 port option) with MY422xxxxx, MY423xxxxx use the following parts



Ref No.	P/N	Description	Qty.	old parts for JP1KK or MY421
1	E5071-65008	A4 Power Amp Module	1	E5071-61004
2	5087-7272	A8 RF Switch	1	5087-7137
3	E5070-01223	plate	1	E5070-01222
4	33321-60059	A7 Source Step Attenuator	2	33321-60059 (1 ea.)
5	E5070-01214	Plate for A7 of -314, -414	1	E5070-01213
6	E5070-61618	Flat Cable Assy for -314,-41	1	E5070-61617
7	E5070-61675	Semi-rigid RF cable	1	N/A
8	E5070-61676	Semi-rigid RF cable	1	N/A
9	E5070-61633	Semi-rigid RF cable	1	N/A
10	E5070-61634	Semi-rigid RF cable	1	N/A
11	E5070-61635	Semi-rigid RF cable	1	N/A
12	E5070-61636	Semi-rigid RF cable	1	N/A

For E5070B-414 (4 port option) with MY422xxxxx, MY423xxxxx use the following parts



Ref No.	P/N	Description	Qty.	old parts for JP1KK or MY421
1	E5071-65008	A4 Power Amp Module	1	E5071-61004
2	5087-7272	A8 RF Switch	2	5087-7137
3	E5070-01223	Plate	1	E5070-01222
4	33321-60059	A7 Source Step Attenuator	2	33321-60059 (1 ea.)
5	E5070-01214	Plate for A7 of -314, -414	1	E5070-01213
6	E5070-61618	Flat Cable Assy for -314, -414	1	E5070-61617
7	E5070-61675	Semi-rigid RF cable	1	N/A
8	E5070-61676	Semi-rigid RF cable	1	N/A
9	E5070-61633	Semi-rigid RF cable	1	N/A
10	E5070-61634	Semi-rigid RF cable	1	N/A
11	E5070-61635	Semi-rigid RF cable	1	N/A
12	E5070-61636	Semi-rigid RF cable	1	N/A

Retrofit Time

Assembly Time: No additional time due to this service note.
 Adjustment Time: No additional time due to this service note.
 Performance Tests Time: No additional time due to this service note.
 Total Time: No additional time due to this service note.