

# E5071B-15

# S E R V I C E N O T E

Supersedes:  
None

## E5071B ENA Series Network Analyzer, 300 kHz to 8.5 GHz

Serial Numbers: JP1KK00000 to JP1KK99999, MY42100000 to MY44999999, SG42100000 to SG44999999

**When replacing A51 LCD, fasten the TORX T15 screws using a torque screwdriver (set to 1.02 N-m / 9.0 lb-in).**

**Parts Required:** see solution

## ADMINISTRATIVE INFORMATION

SERVICE NOTE CLASSIFICATION:

**INFORMATION ONLY**

AUTHOR: jm    PRODUCT LINE: WN

ADDITIONAL INFORMATION:

© AGILENT TECHNOLOGIES, INC. 2007  
PRINTED IN U.S.A.



May 30, 2007

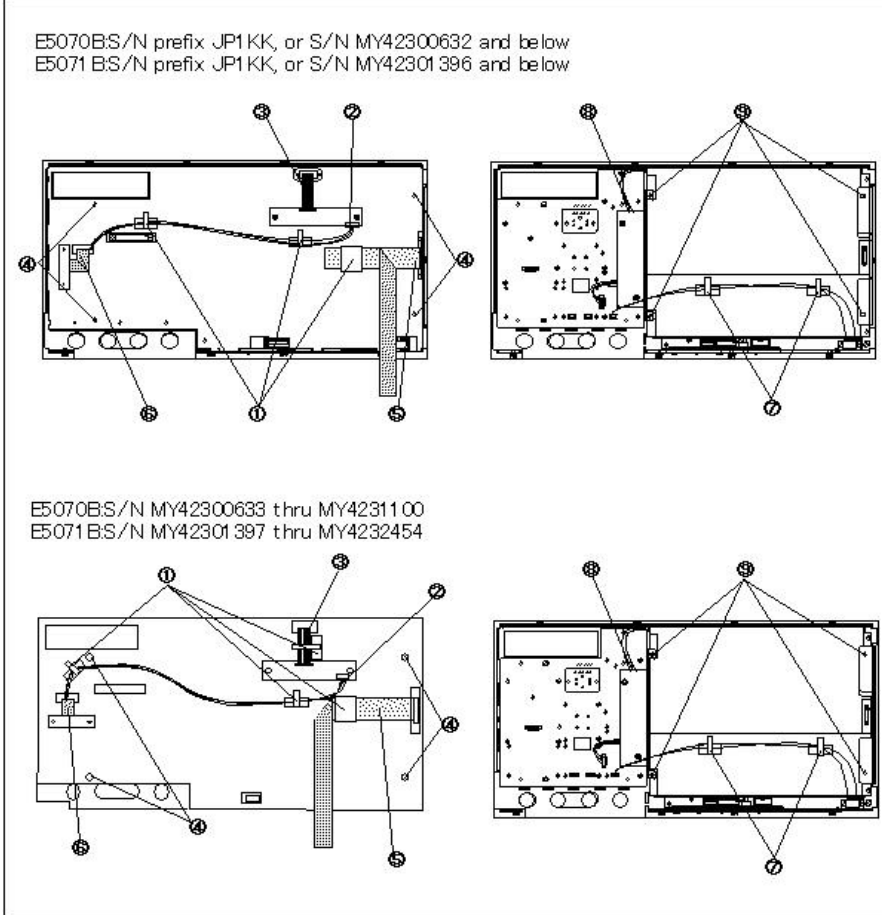
**Situation:**

When replacing the A51 LCD, no torque info is shown in the service guide.

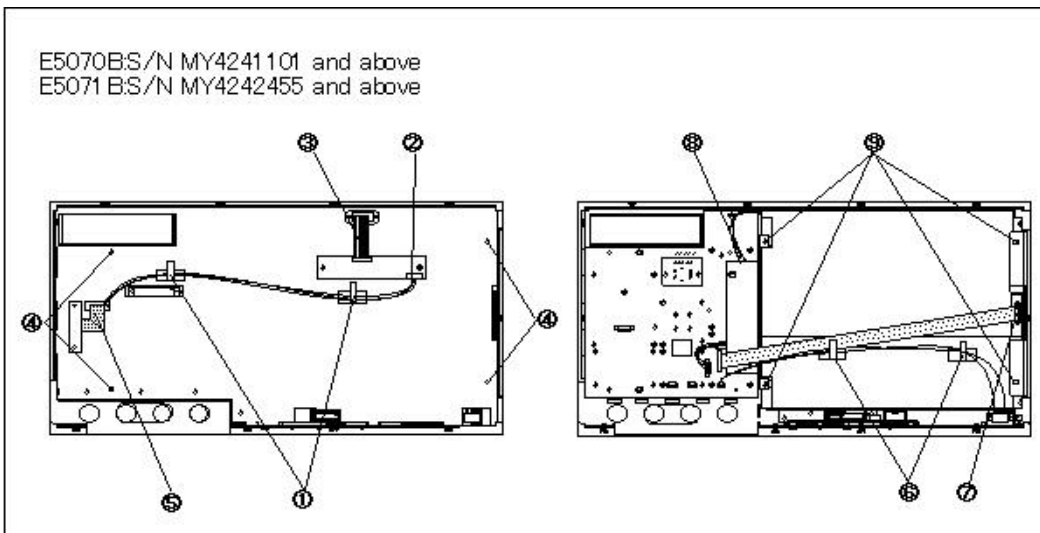
If you fasten the screw with over the appropriate torque, A51 LCD might be damaged, and if you fasten the screw with under the appropriate torque, LCD module might not be fixed against the vibration.

**Solution/Action:**

Fasten the TORX T15 screws (item 9) using a torque screwdriver (set to 1.02 N-m / 9.0 lb-in).



e5070bae3014



e5070lsee5009