

E5071C-01

S E R V I C E N O T E

Supersedes:
None

E5071C ENA Series Network Analyzer, 9 kHz to 8.5 GHz

Serial Numbers: MY46100001 and above

When replacing Inverter Board and LCD, fasten the TORX T15 screws using a torque screwdriver (set to 1.02 N-m / 9.0 lb-in).

Parts Required: see solution

ADMINISTRATIVE INFORMATION

SERVICE NOTE CLASSIFICATION: INFORMATION ONLY
AUTHOR: jm PRODUCT LINE: WN
ADDITIONAL INFORMATION:

© AGILENT TECHNOLOGIES, INC. 2007
PRINTED IN U.S.A.



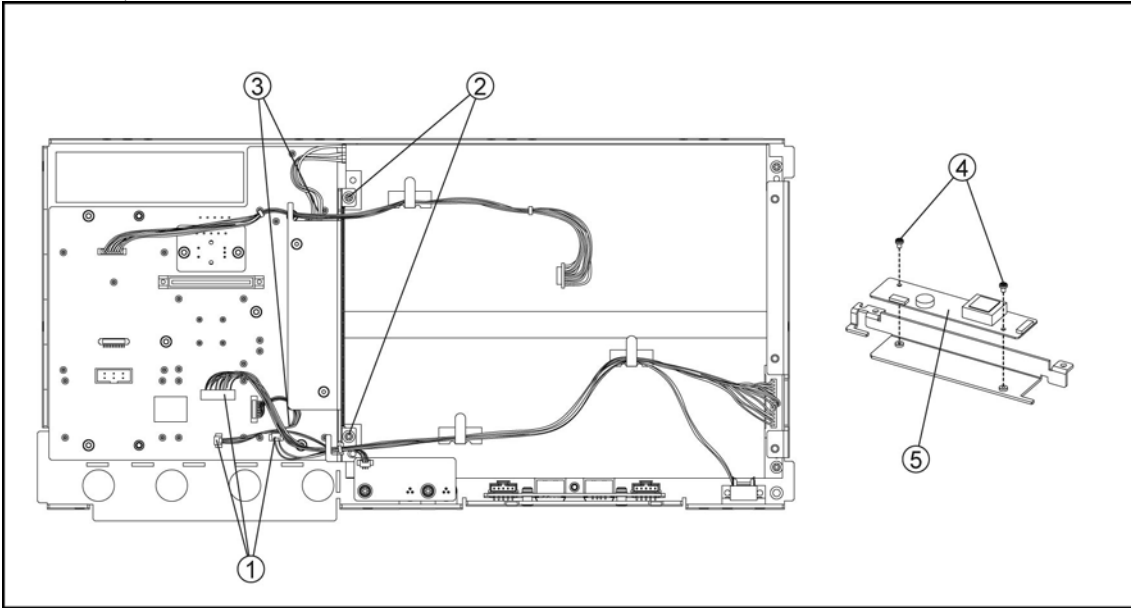
June 6, 2007

Situation:

When replacing the Inverter Board and LCD, no torque info is shown in the service guide. If you fasten the screw with over the appropriate torque, A51 LCD might be damaged, and if you fasten the screw with under the appropriate torque, LCD module might not be fixed against the vibration.

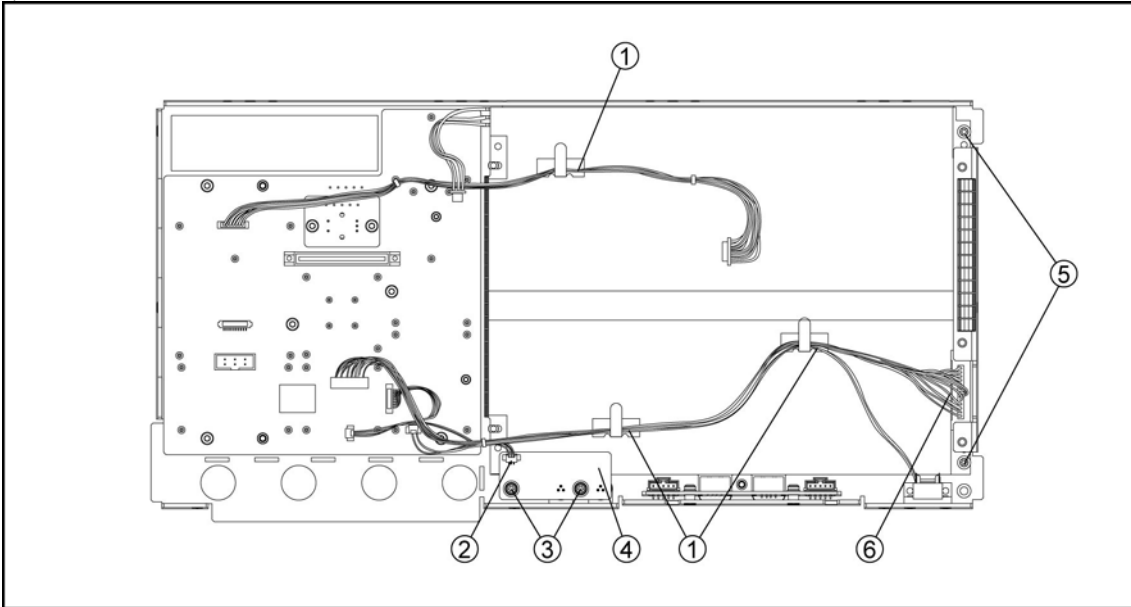
Solution/Action:

When replacing Inverter Board, fasten the TORX T15 screws (item 2) using a torque screwdriver (set to 1.02 N-m / 9.0 lb-in).



e5071cse1112

When replacing LCD, fasten the TORX T15 screws (item 5) using a torque screwdriver (set to 1.02 N-m / 9.0 lb-in).



e5071cse1114