

**N1912A-06**

**S E R V I C E                      N O T E**

---

Supersedes:  
NONE

**N1912A - P-series Dual Channel Power Meters**

**Serial Numbers: ALL**

**Repair Flow for 1mW Power Reference failure**

**Parts Required:**

<b>P/N</b>	<b>Description</b>	<b>Qty.</b>
N1911-61001	Calibrator Assembly	1

**ADMINISTRATIVE INFORMATION**

SERVICE NOTE CLASSIFICATION:	
<b>INFORMATION ONLY</b> <b>INTERNAL ONLY DOCUMENT</b>	
X Calibration Required [] Calibration NOT Required	PRODUCT LINE: WC AUTHOR: CTK
ADDITIONAL INFORMATION:	

© AGILENT TECHNOLOGIES, INC. 2013  
PRINTED IN U.S.A.

March 26, 2013

Rev. 21



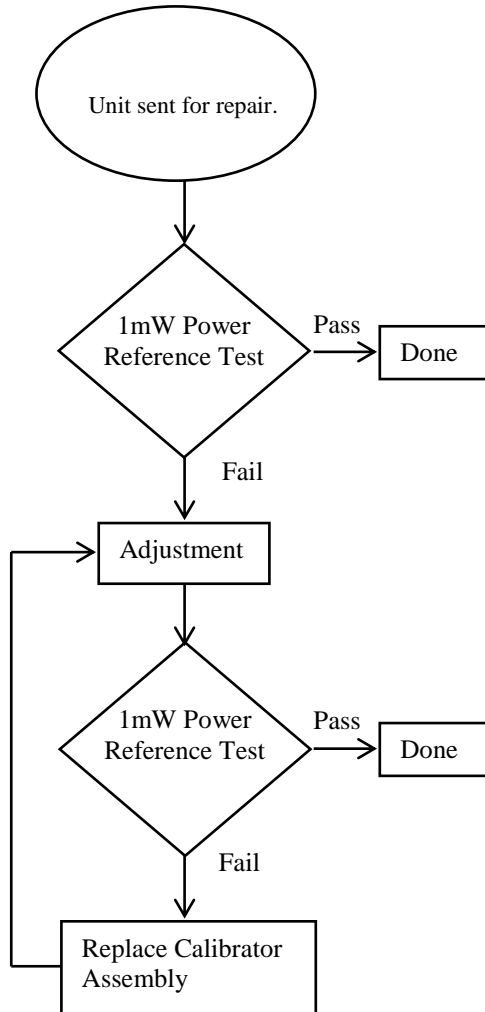
**Agilent Technologies**

**Situation:**

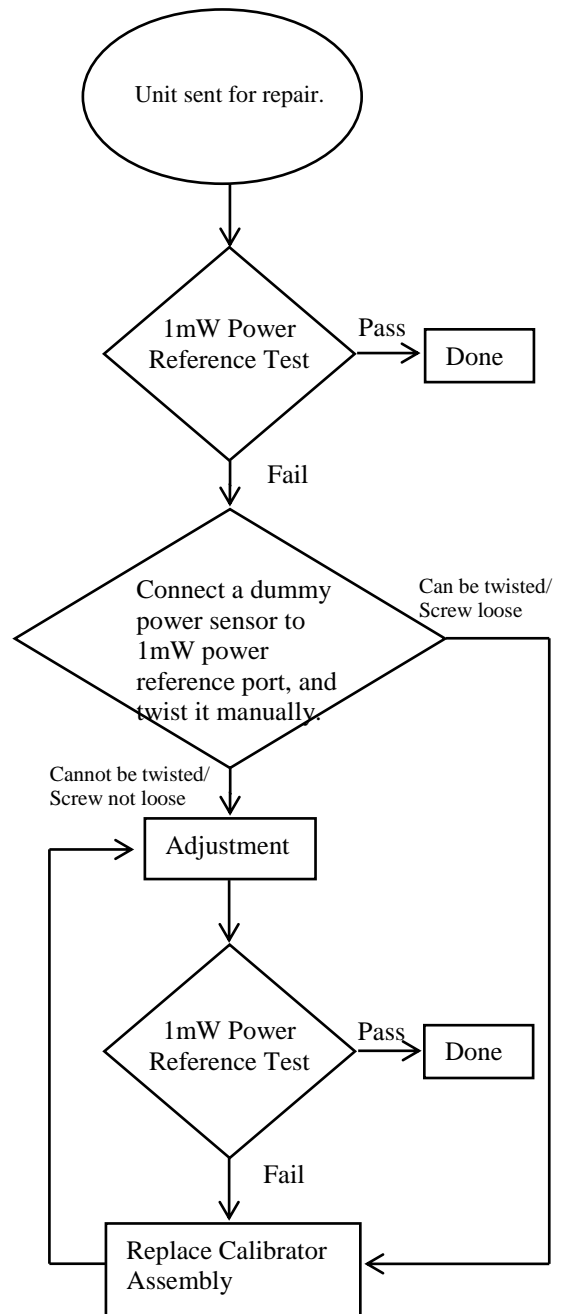
A revised repair process is introduced to check for N1911-61001 calibrator assembly loose screw (Item 6 on Figure 1).

**Solution/Action:**

Current Repair Flow



New Repair Flow



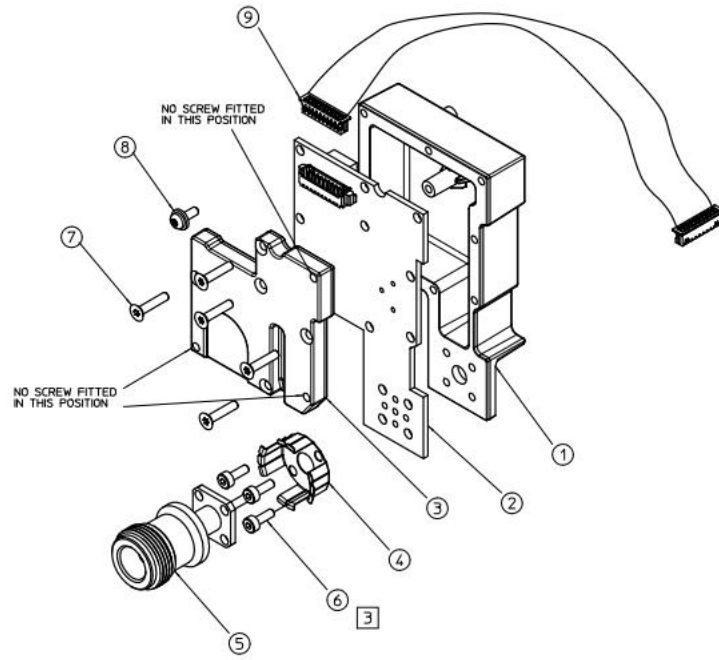


Figure 1 : N1911-61001 Mechanical Drawing