

**S E R V I C E N O T E**

Supersedes:  
NONE

**Agilent i3070 and i1000 In-Circuit Test System**

i3070 Product number:

E9901E E9901D

E9902E E9902D

E9903E E9903D

E9904E E9904D

E9905E E9905D

E9905EL E9988E

i1000 Product number:

U9401B

U9405A

Serial Numbers: ALL

**Agilent Technologies has identified a potential pinch hazard that may cause severe injury to operators of Agilent Technologies i3070 and i1000 In-Circuit Test Systems fixtures. To help customers protect the safety of their employees, we are notifying you of **fixture safety considerations**.**

**Parts Required:**

P/N	Description	Qty.
NONE		

**ADMINISTRATIVE INFORMATION**

SERVICE NOTE CLASSIFICATION:	
<b>INFORMATION ONLY</b>	
<input type="checkbox"/> Calibration Required	PRODUCT LINE: PL80
<input checked="" type="checkbox"/> Calibration NOT Required	AUTHOR: KW LEE
ADDITIONAL INFORMATION:	

© AGILENT TECHNOLOGIES, INC. 2014  
PRINTED IN U.S.A.

May 21, 2014

Rev. 22



**Agilent Technologies**

**Situation:**

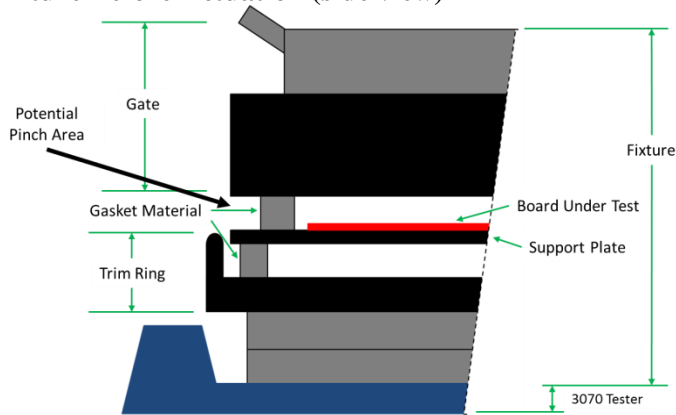
Some board test fixtures produced for use with the Agilent i3070 and i1000 In-Circuit Test Systems may contain a potential fingertip pinch hazard. “Fingertip” refers to that portion of any finger from the first finger joint to the end of the finger. In some limited cases, someone with very small finders may be able to expose a larger portion of a finger to the pinch hazard.

The potential fingertip pinch hazard is applicable to fixtures utilizing clamping action between the top and bottom parts to make contact to the Device Under Test. The pinch hazard can appear in any opening large enough for a finger to be inserted between the top and bottom fixture parts when the fixture is not engaged, and will close up when it is engaged.

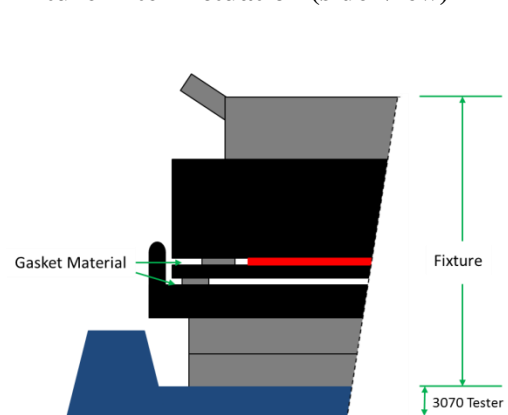
The following diagrams/pictures are examples of the pinch hazards described.

**Example 1**

**Fixture Before Actuation (side view)**

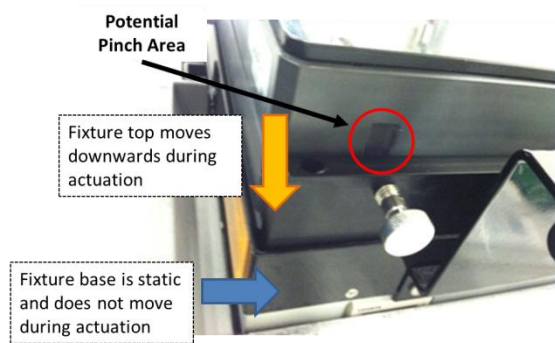


**Fixture After Actuation (side View)**



**Example 2**

**Fixture Before Actuation**



**Fixture Before Actuation**



**Solution/Action:**

As Agilent has no direct control over the design and fabrication of fixture. Agilent will provide guidance and updates to our fixture documentation included with each system. Additionally, this information service note will be provided to end-users and fixture suppliers/vendors.

The following should serve as an action to our customers/end-users to reduce the chance of creating a dangerous environment with the fixtures:

1. Displacing the user away from the fixture during actuation is the best method to avoid any undue hazard. Do take necessary precautions below should the user be required to be within reach of the fixture.
2. Any time a new fixture is received from Agilent on an i3070 or i1000 In-Circuit Test System, or when an existing fixture is modified, the user must review the design and implementation for any potential hazards, including but not limited to, pinch hazards for system operators. If hazards exist, they must be corrected before the fixture is used.
3. Agilent Technologies recommends that the user immediately inspect all fixtures intended for use on an Agilent Technologies i3070 or i1000 In-Circuit Test System for potential pinch hazards to the operator. The safe design of fixtures is the responsibility of the user. Do take every action possible to review and take appropriate corrective action to protect operators and remove any pinch hazards.

**Revision History:**

Revision Number	Date	Author	Reason For Change
1.0	21 May 2014	Lee, KwanWee	As published