

U9405A-04

Information Only Service Note

Supersedes:
[NONE]

Keysight i1000 Small Foot Print System (U9405A)

Serial Numbers: ALL
Manufacturing ID Number: NIL

The Problem – SMEMA OK_NG+/- signals does not match to pin out stated in IPC SMEMA 9851

Parts Required:

P/N	Description	Qty.
-----	-------------	------

[NONE]

ADMINISTRATIVE INFORMATION

Calibration NOT Required

PRODUCT LINE: PL80
AUTHOR: KwanWee Lee

ADDITIONAL INFORMATION:

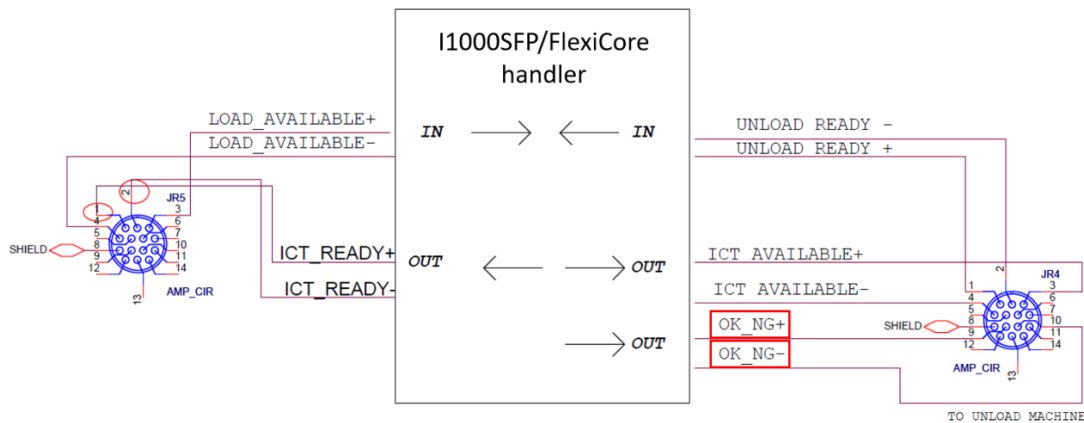
Situation:

The original SMEMA OK_NG+/- signals are allocated at pin 9 and pin 10 of the SMEMA connector of the FlexiCore handler system. This does not match the pin out stated in the IPC SMEMA 9851. Local support team and conveyor suppliers usually work around this mismatch in the pin out by correcting it on the cables interconnecting the systems or modifying the conveyors to match the FlexiCore handler system.

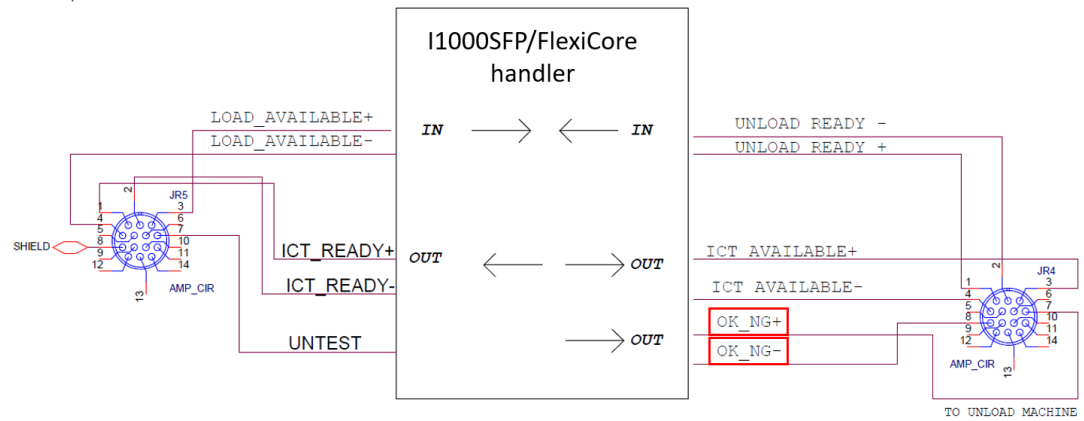
Solution/Action:

Keysight has decided to correct the pin out of the SMEMA OK_NG+/- signals to follow the IPC SMEMA 9851. Therefore, starting from Serial number TW57020155, all Medalist i1000 Small Foot Print(U9405A) handler system will be corrected to use SMEMA pin 7 and pin 8 to represent the OK_NG+/- status. Local support teams are advised to take note of the new pin out when installing new systems at customer site.

Earlier SMEMA pin out



New SMEMA pin out



Revision History:

Date	Service Note Revision	Author	Reason for Change
13 Sep 2019	01	Input Name	As Published